



NTN-SNR LINEAR MOTION:  
**LINEAR AXIS**

**NTN**® **SNR**®

[www.ntn-snr.com](http://www.ntn-snr.com)



With You

# NTN-SNR THE STRENGTH OF A GROUP

We are one of the largest bearing manufacturers in the world in conjunction with the Japanese company NTN.

NTN-SNR has been established in the linear technology market since 1985 and strives to offer a complete and competitive product range. This position allows us to provide our customers with a high level of added value regarding service, quality and product variety. Our sales support and application engineers are always on hand to offer you optimal support.

The consulting and planning service is based on many years of interdisciplinary experience.

That means less design effort and costs on the part of the users.

Our sales and application engineers will gladly help you with their expertise. We are looking forward to your enquiries. Our goal is to achieve joint, constructive solutions.

Product quality, economic efficiency and high user benefits are the basis of a strategic partnership between

**NTN-SNR and you – our customer.**



*German production facility in Bielefeld*

## Advantages:

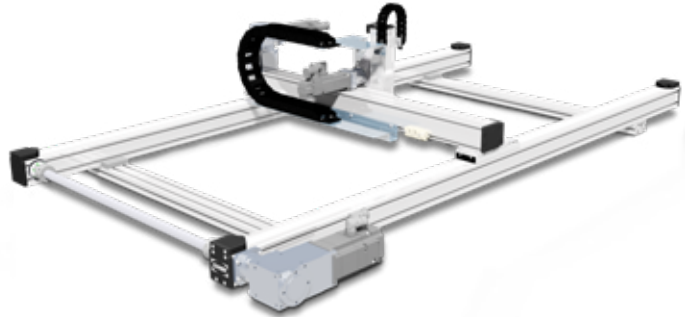
- Complete program of linear products for all industrial areas
- Production facilities in Europe and Asia
- Optimal support by our technical sales and our application engineers near you – worldwide
- State of the art technology (patented solutions)
- State of the art production methods to ensure highest product quality
- Well organized logistic network to ensure on time delivery
- Customized solutions as “genetic code” in our daily business.
- Finding out the most economical solutions together with our valued customers

**NTN-SNR leads you towards reliability and performance.**

SNR Linear Axis are universally applicable modules that accommodate the steadily growing requirements for the automation of installation and manufacturing processes. NTN – SNR produce one of the widest ranges of Linear Axis in the market.

The SNR Linear Axis are used in many different applications, such as:

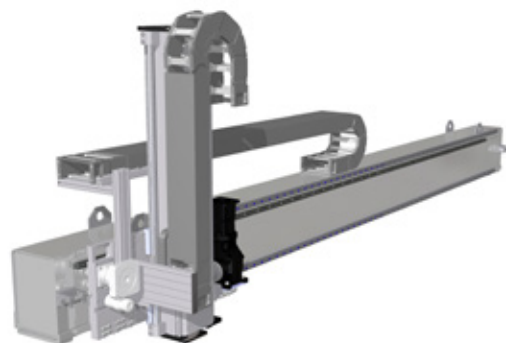
- Machine tool manufacture
- Packaging and printing machines
- Special and general engineering
- Aircraft construction
- Automation and assembly lines
- Wood and paper industry
- Semiconductor industry
- Medical engineering
- and much more



The different series are designed according to a modular principal.

#### Advantages:

- Customized solutions according the specific customer request.
- SNR Linear Axis can be nearly arbitrary combined within one series and between different series.
- The Linear Axis can be connected with different connecting elements, sliding blocks or special fastening strips.
- Multi axis systems can be equipped with gearboxes, couplings, coupling cones, switches and additional with energy chains.
- Depending on the task, SNR Linear Axis offer not only flexible driving and guiding systems but also allow adequate freedom for customized solutions.



This technical catalogue provides an overview of our Linear Axis range and forms the basis of our discussions with **you – our customer.**

# Table of contents

1. _____	Technical basics Linear Axis.....	7
1.1 _____	Product features .....	7
1.2 _____	Driving systems .....	9
1.3 _____	Guiding systems .....	12
1.4 _____	Selection criteria .....	14
<hr/>		
2. _____	System technology .....	15
2.1 _____	Definition .....	15
2.2 _____	Declaration of incorporation for partly completed machinery (Machinery directive 2006/42/EG) .....	15
2.3 _____	Safety instructions .....	16
2.4 _____	Intended use .....	16
2.5 _____	Coordinate system .....	16
2.6 _____	Static load capacity .....	17
2.7 _____	Life time .....	17
2.7.1 _____	Dynamic load capacity / Nominal life time .....	17
2.7.2 _____	Influence factors .....	17
2.8 _____	Rigidity .....	18
2.9 _____	Dynamic operating load .....	19
2.10 _____	Precision .....	19
2.11 _____	Gearbox selection .....	20
2.11.1 _____	Maximum operation speed .....	20
2.11.2 _____	Maximum acceleration torque .....	20
2.11.3 _____	Nominal torque on the drive .....	20
2.12 _____	Drive calculation .....	21
2.13 _____	Selection of Linear Axis with toothed belt drive for 90° tilt mounting (wall mounting) .....	21
<hr/>		
3. _____	Mounting and Start-up.....	22
3.1 _____	Transportation and storage .....	22
3.2 _____	Design of the mounting surfaces / mounting tolerances .....	22
3.3 _____	Mounting instruction .....	24
3.4 _____	Mounting of parallel Linear Axis .....	25
3.5 _____	Start-up of Linear Axis .....	26
3.6 _____	Assembly of couplings on Linear Axis with toothed belt drive .....	26
3.7 _____	Drive assembly .....	27
3.7.1 _____	Drive assembly on Linear Axis with toothed belt drive and coupling cone .....	27
3.7.2 _____	Drive assembly on Linear Axis with toothed belt drive and planetary gearbox .....	27
3.7.3 _____	Drive assembly on Linear Axis and Linear Tables with screw drive .....	29
3.8 _____	Assembly of a deflection belt drive on Linear Axis and Linear Tables with screw drive .....	30
3.9 _____	Mounting of Beam Axis for parallel use with rack and pinion drive .....	32
<hr/>		
4. _____	Maintenance and lubrication .....	34
4.1 _____	General information .....	34
4.2 _____	Lubrication .....	34
4.3 _____	Lubricants .....	34
4.4 _____	Lubrication methods .....	36
4.4.1 _____	Manual grease guns .....	36
4.4.2 _____	Automatic electro-mechanical lubricator DRIVE BOOSTER .....	37
4.4.3 _____	Central lubrication system CONTROL BOOSTER .....	37
4.5 _____	Lubrication points .....	38
4.6 _____	Amounts of lubricant .....	40
4.7 _____	Lubrication intervals .....	43
4.8 _____	Brush wiper replacement .....	45
4.9 _____	Cover strip replacement .....	45
4.9.1 _____	Cover strip replacement for Linear Axis of the series AXC .....	45

4.9.2	Cover strip replacement for Linear Axis of the series AXDL	47
4.10	Wear part sets	47
<hr/>		
5.	SNR Linear Axis	48
5.1	General view	48
5.1.1	Series	48
5.1.2	Main parameters	53
5.2	AXC Compact Axis	56
5.2.1	AXC_Z Compact Axis with toothed belt drive	56
5.2.1.1	Structure	56
5.2.1.2	Dimensions / Technical data	57
5.2.1.3	Maximum static load capacity	62
5.2.1.4	Dynamic load capacity	62
5.2.2	AXC_S / T Compact Axis with screw drive	63
5.2.2.1	Structure	63
5.2.2.2	Dimensions / Technical data	64
5.2.2.3	Maximum static load capacity	74
5.2.2.4	Dynamic load capacity	74
5.2.3	AXC_A Compact Axis with toothed belt / $\Omega$ - drive	75
5.2.3.1	Structure	76
5.2.3.2	Dimensions / Technical data	76
5.2.3.3	Maximum static load capacity	80
5.2.3.4	Dynamic load capacity	80
5.3	AXF Compact Axis	81
5.3.1	AXF_Z Compact Axis with toothed belt drive	81
5.3.1.1	Structure	81
5.3.1.2	Dimensions / Technical data	82
5.3.1.3	Maximum static load capacity	83
5.3.1.4	Dynamic load capacity	83
5.3.2	AXF_S / AXF_T / AXF_G Compact Axis with screw drive	84
5.3.2.1	Structure	84
5.3.2.2	Dimensions / Technical data	85
5.3.2.3	Maximum static load capacity	87
5.3.2.4	Dynamic load capacity	87
5.4	AXDL Parallel Axis	88
5.4.1	AXDL_Z Parallel Axis with toothed belt drive	88
5.4.1.1	Structure	88
5.4.1.2	Dimensions / Technical data	89
5.4.1.3	Maximum static load capacity	92
5.4.1.4	Dynamic load capacity	92
5.4.2	AXDL_S / T Parallel Axis with screw drive	93
5.4.2.1	Structure	93
5.4.2.2	Dimensions / Technical data	94
5.4.2.3	Maximum static load capacity	100
5.4.2.4	Dynamic load capacity	100
5.4.3	AXDL_A Parallel Axis with tooth belt / $\Omega$ - drive	101
5.4.3.1	Structure	101
5.4.3.2	Dimensions / Technical data	101
5.4.3.3	Maximum static load capacity	102
5.4.3.4	Dynamic load capacity	104
5.5	AXLT Linear Table Axis	105
5.5.1	AXLT_S / T Linear Table Axis with screw drive	105
5.5.1.1	Structure	105
5.5.1.2	Dimensions / Technical data	106
5.5.1.3	Maximum static load capacity	114
5.5.1.4	Dynamic load capacity	114
5.6	AXBG Precision Axis	115

5.6.1	AXBG Precision Axis with screw drive	115
5.6.1.1	Structure	115
5.6.1.2	Dimensions / Technical data	116
5.6.1.3	Load ratings	130
5.6.1.4	Maximum stroke length	131
5.6.1.5	Precision classes	132
5.7	AXS System Program Axis	133
5.7.1	AXS_TA Telescopic Axis with toothed belt / $\Omega$ - drive	133
5.7.1.1	Structure	133
5.7.1.2	Dimensions / Technical data	134
5.7.1.3	Maximum static load capacity	135
5.7.1.4	Dynamic load capacity	135
5.7.2	AXS_M Lifting and Gantry Axis with rack and pinion drive	136
5.7.2.1	Structure	136
5.7.2.2	Dimensions / Technical data	137
5.7.2.3	Maximum static load capacity	140
5.7.2.4	Dynamic load capacity	140
5.7.3	AXS_M Gantry Axis with rack and pinion drive	141
5.7.3.1	Structure	141
5.7.3.2	Dimensions / Technical data	142
5.7.3.3	Maximum static load capacity	146
5.7.3.4	Dynamic load capacity	146
5.7.4	AXS_T Horizontal and vertical Telescopic Axis with rack and pinion drive / toothed belt drive	147
5.7.4.1	Structure	147
5.7.4.2	Dimensions / Technical data	148
5.7.4.3	Maximum static load capacity	155
5.7.4.4	Dynamic load capacity	155
5.7.5	AXS_Y Gantry Axis with lateral toothed belt drive	156
5.7.5.1	Structure	156
5.7.5.2	Dimensions / Technical data	157
5.7.5.3	Maximum static load capacity	159
5.7.5.4	Dynamic load capacity	159
5.7.6	AXS_Z Gantry Axis with toothed belt drive	160
5.7.6.1	Structure	160
5.7.6.2	Dimensions / Technical data	160
5.7.6.3	Maximum static load capacity	162
5.7.6.4	Dynamic load capacity	162
5.7.7	AXS_M Beam Axis for parallel use with rack and pinion drive	163
5.7.7.1	Structure	163
5.7.7.2	Dimensions / Technical data	164
5.7.7.3	Maximum static load capacity	166
5.7.7.4	Dynamic load capacity	166
5.8	AXLM Linear Motor Axis	167
5.8.1	AXLM_EA / AXLM_EW	167
5.8.1.1	Structure	167
5.8.1.2	Dimensions / Technical data	168
5.8.1.3	Maximum static load capacity	171
5.8.1.4	Dynamic load capacity	171
5.8.1.5	Feeding force	172
5.8.1.6	Force -Velocity - Characteristic	173
5.8.1.7	Current consumption	174
5.8.1.8	Motor Interface	175

6	Accessories	176
6.1	Fastening and connecting elements	176
6.1.1	Fastening strips / fastening elements	176

6.1.2	Sliding blocks	178
6.1.3	Hammer screws	180
6.1.4	Direct connection	181
6.1.5	Cross connection	183
6.1.6	Gantry connection	185
6.1.7	A – Standard connection	186
6.1.8	Angle connection	188
6.2	Drive options	190
6.2.1	Plug-in shaft	190
6.2.2	Couplings and connecting shafts	191
6.2.3	Gearboxes	193
6.2.3.1	Version ZS – Plug-in planetary gearbox	193
6.2.3.2	Version ZE and ZP - Integrated planetary gearbox	195
6.2.3.3	Mounted gearboxes	198
6.2.4	Adapters / Coupling cones	198
6.2.4.1	Linear Axis toothed belt drive	198
6.2.4.2	Linear Axis with screw drive, coupling and coupling cone	200
6.2.5	Deflection belt drive	204
6.3	Switches	206
6.3.1	Switch versions	206
6.3.2	Cable guiding	207
6.3.3	Mounting options	207
6.3.4	Dimension	212
6.3.5	Line splitter	214
6.3.6	Technical data	214
6.3.7	Possible switch combinations	215
6.4	Energy chains	217
6.5	Gantry support legs	218
6.6	Groove inserts	220
6.7	Connection for sealing air or air suction	221
6.8	Balance cylinder	222
6.9	Safety breaks	223
6.10	Lubrication connections	224
<hr/>		
7.	Multi - Axis - Systems	225
7.1	Standard combinations AXC - AXDL	225
7.2	Standard combinations AXS – AXC - AXDL	227
7.3	Standard combinations AXS	229
<hr/>		
8.	Systematic	232
8.1	Type code single axis	232
8.2	Type code axis systems	235
8.3	Options	236
8.3.1	Configuration versions	236
8.3.2	Safety options	239
<hr/>		
9.	Special solutions	240
10.	Type list / ID number list	243
11.	Fits	248
12.	Guide to queries	250
13.	Index	253





# 1. Technical basics Linear Axis

## 1.1 Product features

SNR Linear Axis are compact components which contain a combination of guiding and driving elements. The modular design and the ability to combine Linear Axis within a product line and various product lines allow the user to design a simple, time-saving and economical solution for linear movements. The use of high quality components guarantees a high quality and reliability of Linear Axis. The figures 1.1 to 1.4 show the basic structure of all SNR Linear Axis and their main components:

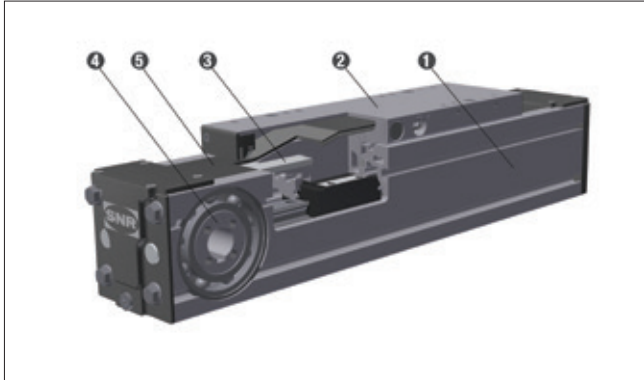


Figure 1.1 — Structure Toothed belt axis

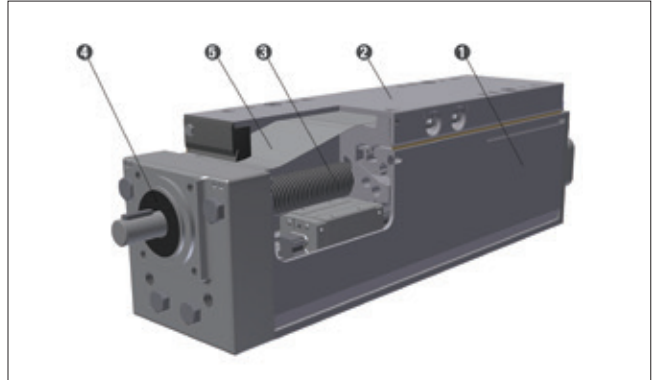


Figure 1.2 — Structure Screw drive axis

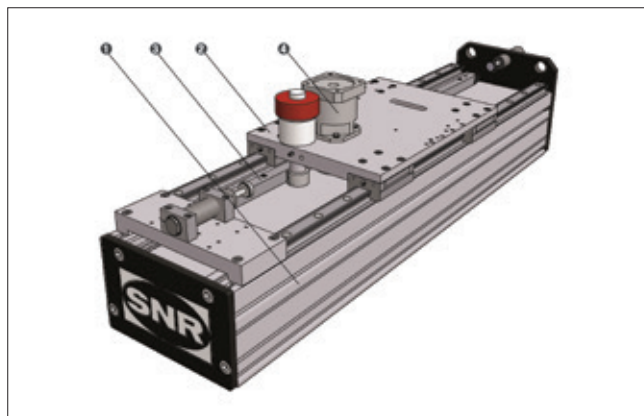


Figure 1.3 — Structure Rack-and-Pinion axis

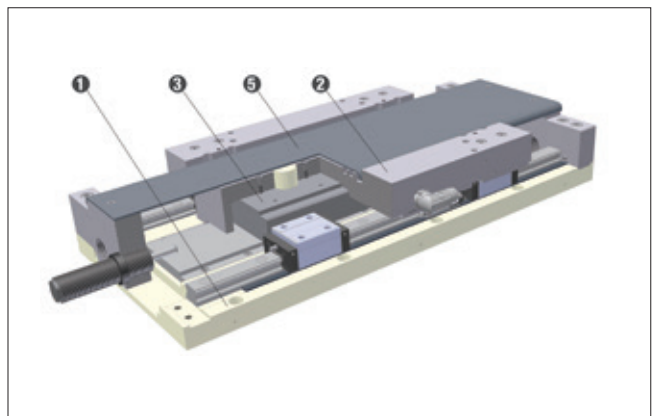


Figure 1.4 — Structure Linear motor axis

- |   |                                    |   |
|---|------------------------------------|---|
| ① Base profile                                | ③ Drive element                    | ⑤ Cover strip or Protection elements (optional) |
| ② Slider unit with carriages or Track rollers | ④ Drive unit or Drive bearing unit |   |

The base profile holds the guiding rails in case of Linear Guides or steel shafts in case of Track Roller Guides. The guiding rails are screwed to the profile (Figure 1.5), the steel shafts are pressed into the profile (Figure 1.6). The base profile is, with few exceptions (AXBG series, AXS from size 300 and AXLT), an anodized aluminum profile. The Linear Axis of the AXBG series and special designs of AXS from size 300 and AXLT series are based on steel profiles. The base profile largely determines the stiffness of a Linear Axis.

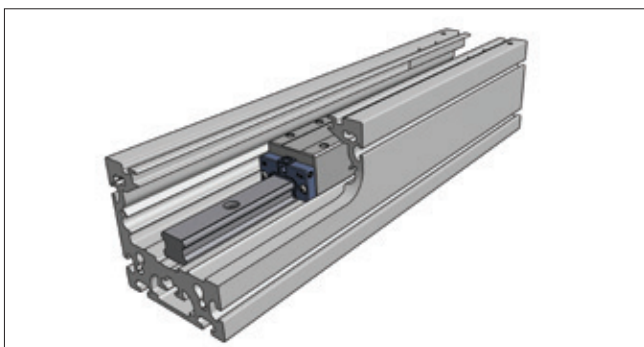


Figure 1.5 — Profile with guiding rails

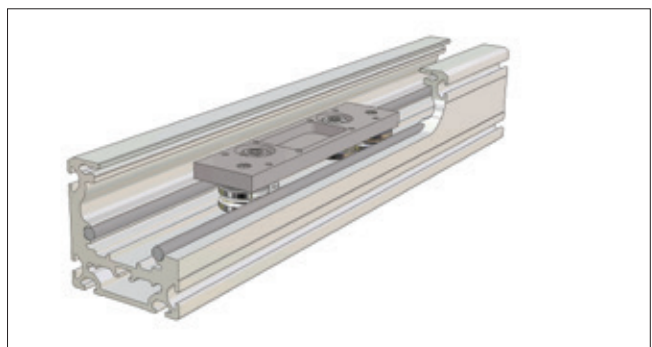


Figure 1.6 — Profile with steel shafts

The slider unit is a complex assembly group which is usually made of an aluminum profile or consists of aluminum components. The carriages or track rollers are mounted to the slider unit. The slider unit also connects the drive elements with the guiding elements of a Linear Axis. At the top side of the slider unit are threaded holes (Figure 1.7) or profile grooves (Figure 1.8) to secure the customer's extensions.

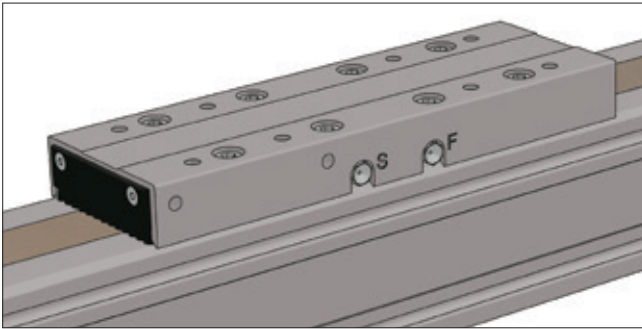


Figure 1.7 — Slider unit with threaded holes

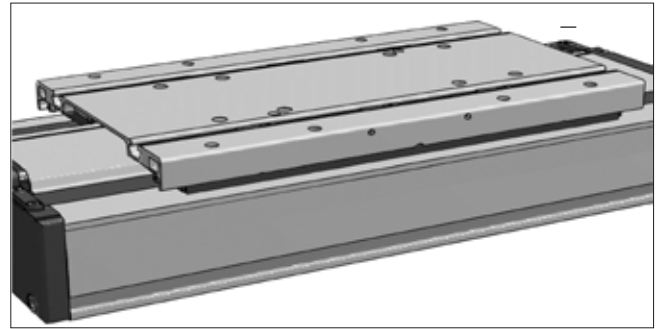


Figure 1.8 — Slider unit with profile grooves

Depending on the series, various sealing elements (Figures 1.9 and 1.10) and the deflection system for cover strips can be integrated into the slider unit (Figure 1.11).

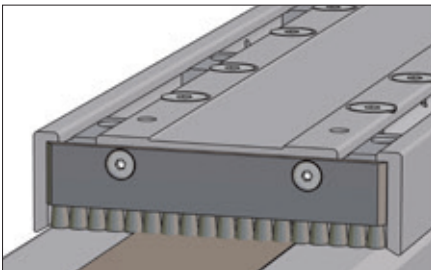


Figure 1.9 — Slider unit with brush wipers

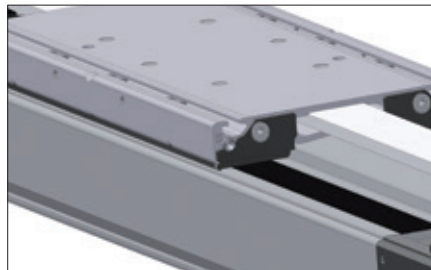


Figure 1.10 — Slider unit with side seals

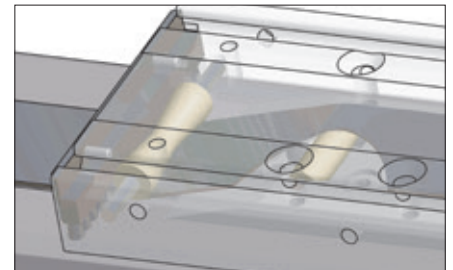


Figure 1.11 — Cover strip deflection in the slider unit

The slider unit also contains the easily accessible service points for the lubrication of the guiding system and the drive elements (Figures 1.12 and 1.13).



Figure 1.12 — Slider unit with laterally placed grease nipples



Figure 1.13 — Slider unit with grease nipples on the front side

### The product range of SNR Linear Axis provides a variety of benefits:

- Versatile applications by a complete product range from miniature to heavy load axis in almost all industrial sectors
- Different driving and guiding systems combinable
- High load capacity
- High velocity
- Optimized aluminum profiles in popular dimensions
- Standard grooves for sliding blocks
- Exclusive use of high quality components
- Flexible combination of Linear Axis including all connecting elements
- Wide range of accessories for the drive assembly
- Delivery of pre-finished units and complete assembled multi-axis-systems
- In addition, the compact design and the clear forms fulfill the technical criteria as well as providing high reliability
- Wide range of connecting elements and accessories

## 1.2 Driving systems

Depending on the series, SNR Linear Axis, can be produced with toothed belt drive, screw drive, rack and pinion drive or linear motor drive.

### Toothed belt drive

Linear Axis with toothed belt drive are suitable for fast handling and positioning applications. All axis are equipped with AT or STD toothed belt. These are extruded polyurethane belts with integrated steel cords. The AT toothed belts are carried out in the zero-gap shape. The use of black toothed belts prevents discoloration of the toothed belts under UV - radiation. These toothed belts are also characterized by the following properties:

- Low wear
- Maintenance free
- High tensile strength and low elongation
- High precision – Pitch error  $\pm 0,2\text{mm/m}$
- UV – resistant
- Temperature range  $-25^{\circ}\text{C}$  to  $+75^{\circ}\text{C}$ , special version for use below  $-25^{\circ}$  possible
- Low noise level
- Versions with approval for the food industry

The special design of the toothed belt clamping via toothed segments (Figure 1.14) allows an unweakened clamping of the belt.

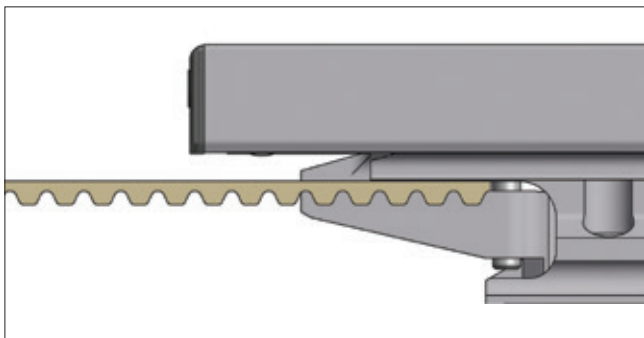


Figure 1.14 — Toothed belt clamping

The adjustment of the toothed belt tension for SNR Linear Axis is done by a radially moveable deflecting pulley (Figure 1.15).

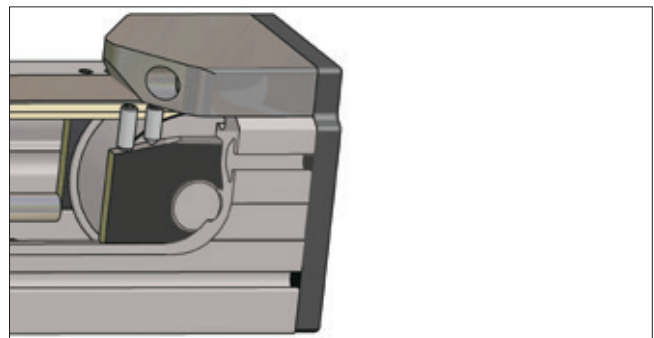


Figure 1.15 — Toothed belt tension

The setting of the correct toothed belt tension is made by a SNR measuring device with which the exact tension will be adjusted with the help of a force sensor (Figure 1.16).

Thus, there is no risk of overloading of the toothed belt or the failure of the pulley bearing due to excessive toothed belt tension. Furthermore, optimum driving characteristics by a centered alignment and low wear are ensured.

#### Advantages of toothed belt axis

- High dynamic
- Great lengths realizable
- Cost efficient
- Maintenance free drive element

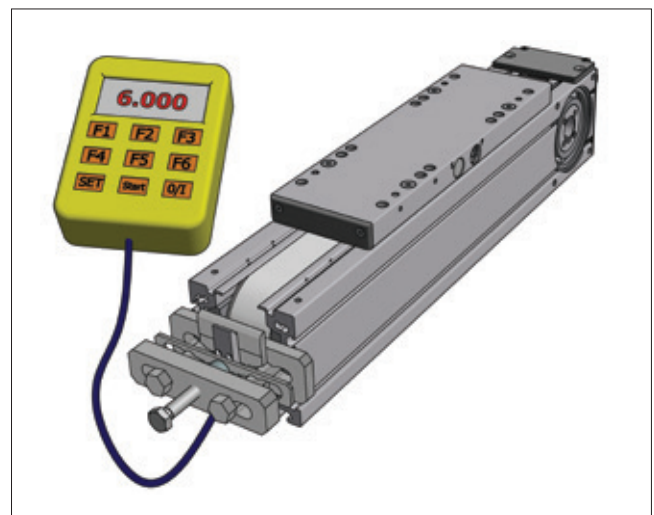


Figure 1.16 — Measuring device for the toothed belt tension

## Screw drive

Linear Axis with screw drive can be equipped with ball screws (Figure 1.17) and with trapezoidal screws. Screw drives are especially suitable for high requirements for positioning accuracy and repeatability in combination with high rigidity of the driving element. The drive adaptation can be done directly by coupling and coupling cone or with a deflection belt drive.

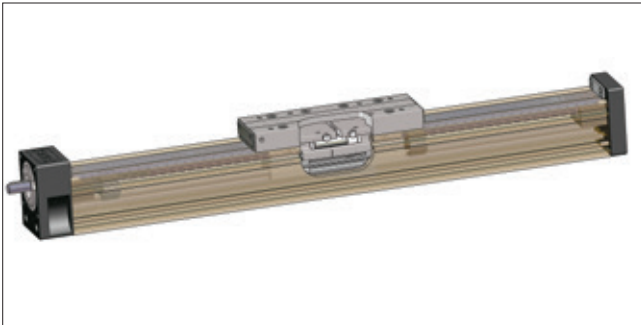


Figure 1.17 — Linear Axis with screw drive

In order to achieve a high velocity even at longer lengths, it is possible to equip the Linear Axis of the AXC and AXDL series with one or more sets of screw drive support units (Figure 1.18).

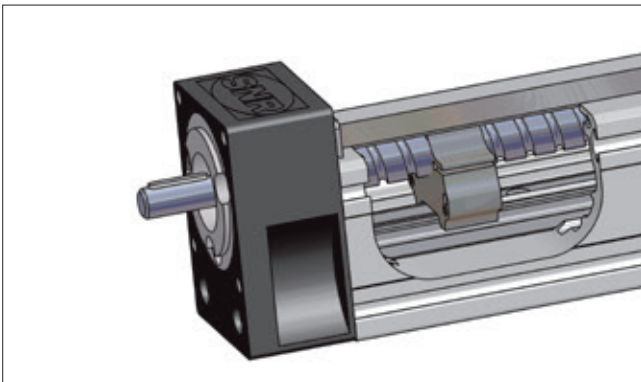


Figure 1.18 — Support unit

### Advantages of screw drive axis

- Long strokes with high position accuracy
- Long strokes with high velocity by the optional use of screw drive support units
- A choice of various pitches
- Self-locking when using trapezoidal screws
- High feeding forces
- High rigidity of the drive element
- Usually no gearbox necessary

## Rack and pinion drive

Linear Axis with rack and pinion drive are characterized by a very high reliability and are therefore particularly suitable for vertical applications. It is possible to line up any number of rack segments (Figure 1.19). The inductive hardened racks and pinions (Figure 1.20) ensure a very long service life.

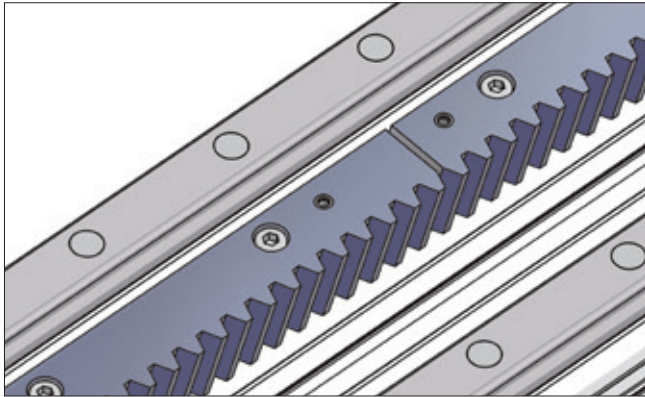


Figure 1.19 — Rack segments

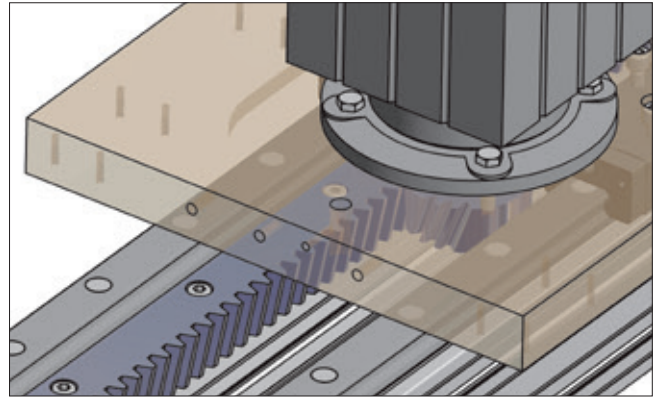


Figure 1.20 — Rack and pinion

### Advantages of linear motor axis

- Theoretically unlimited length possible
- Several drive units possible
- High feeding forces
- Highest rigidity of the drive element even with high loads

## Linear motor drive

For Linear Axis with linear motor drive there is no mechanical conversion of a rotary into a translatory movement necessary. For this reason, a linear motor is described as linear direct drive. The driving force is directly generated by a motor integrated in the slider unit (Figure 1.21).

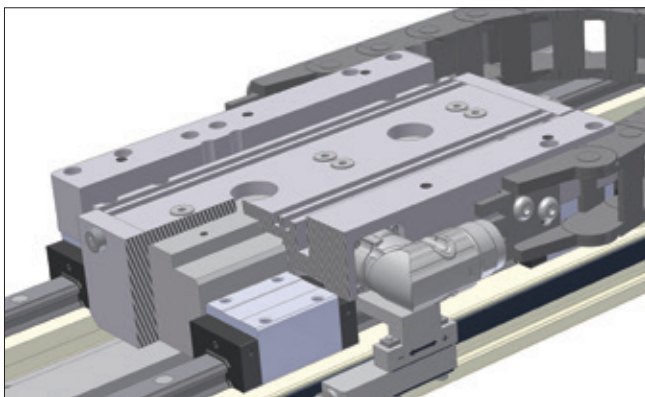


Figure 1.21 \_\_ Linear motor

### Advantages of linear motor axis

- Theoretically unlimited length possible
- Several drive units possible
- Highest position accuracy and repeatability
- Very high velocity and acceleration
- Maintenance and wear free drive element
- Very low noise level

## 1.3 Guiding systems

SNR Linear Axis can, depending on the series, be equipped with linear guides or various kinds of track roller guides. These selection possibilities allow an extremely flexible reaction to the requirements of the application and the environmental conditions and to choose the optimal configuration of the Linear Axis. If Linear Axis are used as a pure driving element, a version without guiding elements is possible.

### Linear guides

SNR Linear Axis of all series are equipped with linear guides with ball chain technology (Figure 1.22). By the arrangement of raceways at a 45° angle, the SNR Linear guides can be used universally and have equal load ratings in all main load directions. Among the special features of SNR Linear guides with ball chain have integrated lubricant reservoirs. Usage of these linear guides has the following advantages:

- High load ratings
- High service life time
- Long-term maintenance free
- Low temperature generation
- High tolerance compensation capacity and error compensation by DB Configuration of the raceways
- Low noise level
- High running smoothness
- High velocity up to 5 m/s
- High acceleration up to 50 m/s<sup>2</sup>

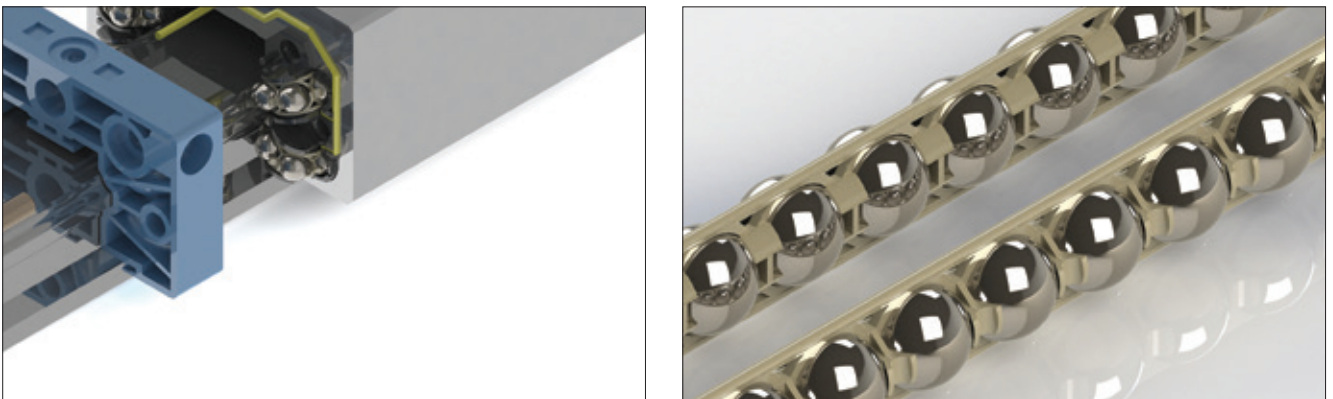


Figure 1.22 — SNR Linear guides with ball chain

## Track roller guides

As track roller guides, various types of rollers can be used, depending on the series.

All sizes of AXC and AXDL series are available with track roller guides in steel design (Figure 1.23).

This system consists of track rollers which are running on hardened, ground steel shafts which are pressed into the aluminum profile. The steel shafts are permanently re-lubricated from outside with lubricating oil from a refillable oil reservoir. The track rollers are dustproofed two-row angular contact ball bearing with profiled outer ring.

Through an eccentric mounting of the half of the track rollers, the guiding system can be settled exactly, and gets always the right preload or zero backlashes from our production.

This technology ensures an excellent running performance and offers the following advantages:

- Very cost efficient guiding system, especially for long strokes
- Long service life time by the use of dustproofed and pre-lubricated track rollers placed inside the profile
- Very high velocity up to 15 m/s
- High acceleration up to 50 m/s<sup>2</sup>

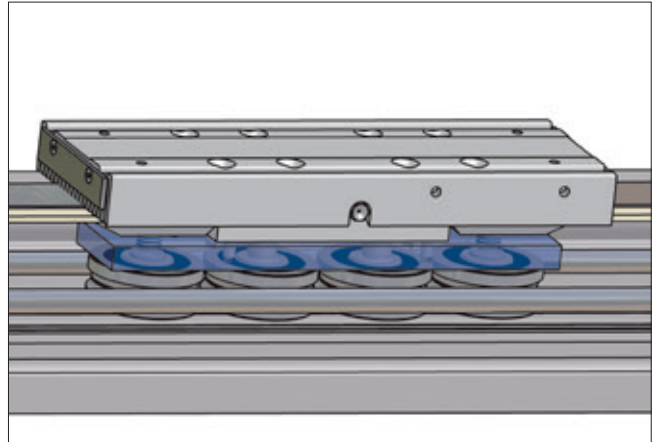


Figure 1.23 — SNR Linear Axis with track roller guide

Linear Axis of the AXF series can be equipped optionally with polymer track rollers (Figure 1.24) as guiding system. In this variant, the rollers are running directly on the surfaces of the aluminum profile. The adjustment of the preload is realized via a spring element in the two-part slider unit during the assembly process.

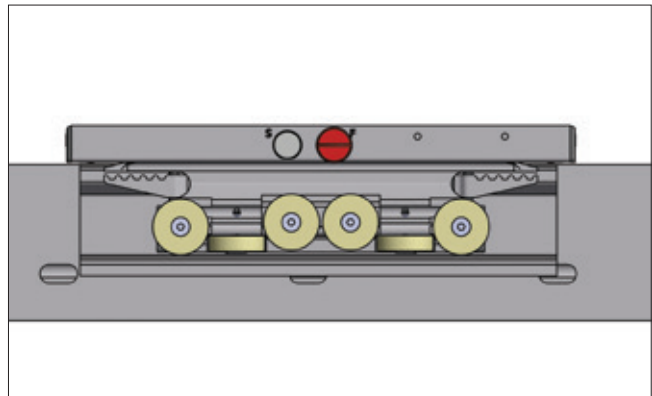


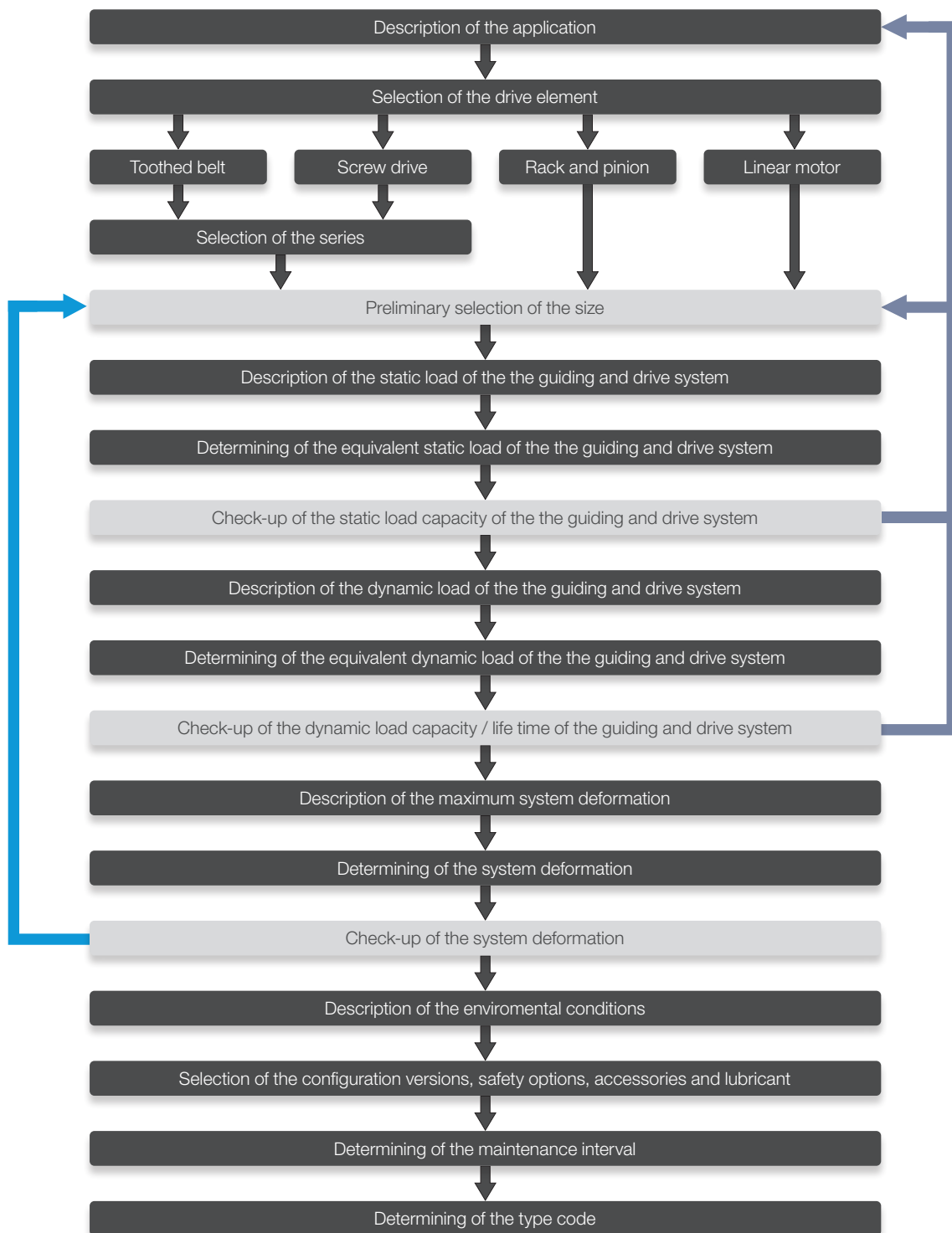
Figure 1.24 — SNR Linear Axis with polymer track roller guide

The polymer track rollers are connected with the slider unit by sliding bearings. Linear Axis with this guiding system can be used even in wet areas, in areas with heavy contamination or in contact with aggressive media.

This guiding system is characterized by the following features:

- Very high chemical resistance
- Maintenance free and dirt resistant track rollers
- Good mechanical damping performance
- Inside of the profile arranged track roller system
- Very high velocity up to 7 m/s
- High acceleration up to 30 m/s<sup>2</sup>

## 1.4 Selection criteria





## 2. System technology

### 2.1 Definition

Linear Axis are pre-finished units with a combination of precise guiding and driving elements. Thereby Linear Axis with their variations are cost efficient and extremely compact components for machines and systems which could be mounted and placed into operation within a short time.

The selection of Linear Axis could be based on following criteria:

<b>POSITIONING REPEATABILITY</b>	When positioning repeatability, an arbitrary point is approached several times in one direction from the same starting point and the deviation to the target value can be measured. The process is repeated for different points. $\pm 50\%$ of the difference between maximum and minimum deviation is given as positioning repeatability.
<b>POSITION ACCURACY</b>	When measuring the positioning accuracy several points are approached in one direction and the difference between target travel distance and actual travelled distance measured. The position accuracy is the absolute maximum difference.
<b>RUNNING PARALLELISM</b>	The dial gauge is centrally mounted on the carriage and moved over the complete stroke. The running parallelism is the maximum difference between the measured values.
<b>BACKLASH OF BALL SCREWS</b>	The slider unit is moved by the ball screw against a dial gauge as a reference point. Then, the carriage will be loaded in the same direction by an external force and then unloaded. The backlash is the maximum difference between the reference point and the position after loading and unloading.
<b>STARTING TORQUE</b>	The starting torque is the drive torque which is necessary to overcome the static friction of the system and to start the motion.

For the selection of SNR Linear Axis our sales and application engineers with years of experience are also available.

### 2.2 Declaration of incorporation for partly completed machinery (Machinery directive 2006/42/EG)

The manufacturer SNR WÄLZLAGER GMBH, Friedrich-Hagemann-Straße 66, D-33719 Bielefeld, Germany hereby declares that the components of the partly completed machinery from the series "Linear Axis AX" and "Linear Axis Systems AS":

- Following essential health and safety requirements in accordance to Annex I of machinery directive 2006/42/EG are applied and fulfilled:

General principles:

- 1.1 General remarks
- 1.3 Protection against mechanical hazards
- 1.5. Risks due to other hazard
- 1.6. Maintenance
- 1.7. Information

- The relevant technical documentations are compiled in accordance with part B of Annex VII
- We will transwith in case of a reasoned request by the national authorities the relevant technical documentation in accordance with part B of Annex VII.
- The above mentioned relevant technical documentations can be obtained from The QC Department, SNR WÄLZLAGER GMBH, Friedrich-Hagemann-Straße 66, D-33719 Bielefeld, Germany
- The conformity is in accordance with the EN ISO 12100 2010 «Safety of machinery - General principles for design - Risk assessment and risk reduction «
- Commissioning is prohibited until it has been determined that the machine in which the Linear Axis or the Linear Axis system is to be installed complies with the provisions of the machinery directive 2006/42/EG.



i.V. Ulrich Gimpel  
(Industry Engineering Division Head)  
SNR WÄLZLAGER GMBH - Friedrich-Hagemann-Straße 66 D-33719 Bielefeld, Germany  
Bielefeld, December 2020

## 2.3 Safety instructions



The device is built according to current state-of-the-art technology and applicable regulations. The device complies with the EU machinery directive, harmonized standards, European standards or the applicable national standards. This is confirmed with a manufacturer's declaration.

Relevant accident prevention regulations, generally accepted safety-related rules, EU guidelines, other applicable standards and country-specific regulations are also applicable.

Because linear units can be used in such a wide range of applications, the ultimate responsibility and liability for appropriate use lies with the end user.

This device creates an unavoidable residual risk for personal injury and material damage. For this reason, every individual who works on this device associated with the transport, assembly, operating, maintenance and repair of the device, must receive instruction and understand the potential dangers. The information about mounting, start-up, maintenance and lubrication must be understood and observed.

In addition, operating equipment poses a risk of injury due to rotating or otherwise moving components. Due to moving carriages, operational Linear Axis particularly poses an increased crushing hazard, especially in connection with end position dampers and switches. The user must carry out a detailed machinery risk assessment to identify hazards to all operators with signs or written codes of conduct which are compliant with any local regulations. Alternatively, the user may eliminate or exclude these residual risks to the greatest extent possible by employing appropriate constructive measures.

The noise level can increase at high speeds, special applications and at accumulation of more noise sources. The user must take the appropriate protective measures.

Linear Axis start-up is prohibited until it can be established that the machine or system in which it is mounted conforms to EU machinery directives, harmonized standards, European standards or applicable national standards.

## 2.4 Intended use

SNR Linear Axis and SNR Linear tables are fundamentally designated for linear movement as occurs during positioning, synchronization, transport, palletizing, loading, unloading, clamping, tightening, testing, measuring, handling and manipulating components or tools. Type-specific load data from the relevant catalogue documentation and/or NTN-SNR supplementary technical calculations must be observed.

Furthermore, an operating temperature between  $-10^{\circ}\text{C}$  to  $+75^{\circ}\text{C}$  must be adhered to.

Alternative or excessive use is considered improper use.

The manufacturer assumes no liability for resulting damages. The user bears sole responsibility for all risks.

The Linear Axis may only be operated and serviced by individuals familiar with the axis and who have been instructed in the dangers.

Special provisions can be made for applications (as example food industry, clean room etc.) which deviate from the standard modifications.

## 2.5 Coordinate system

The Linear Axis can be loaded by forces or torques. The coordinate system (Figure 2.1) shows the forces acting in the main load directions, the torques as well as the six degrees of freedom.

### Forces in the main load directions:

FX Movement force (X-direction)

FY Tangential load (Y-direction)

FZ Radial load (Z-direction)

### Moments:

MX Torque in roll direction (rotation around the X-axis)

MY Torque in pitch direction (rotation around the Y-axis)

MZ Torque in yaw direction (rotation around the Z-axis)

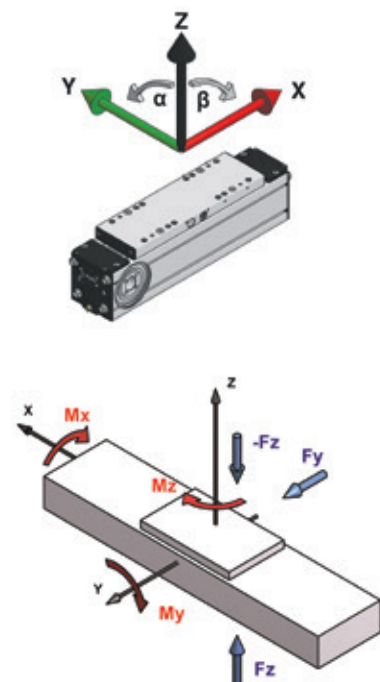


Figure 2.1 \_\_\_ Coordinate system

## 2.6 Static load capacity

The values of the static load capacity given in the data tables of the Linear Axis (except AXBG) represent the maximum load that can be applied.

The loads (radial and tangential) and moments can act simultaneously from different directions on the Linear Axis (Figure 2.2).

In this case, a maximum equivalent load, consisting of radial, tangential and other loads, used for verification. For this, the position must be located within the movement cycle in which the combination of all loads has the maximum value.

For complex loads, we recommend to contact our NTN-SNR application engineers.

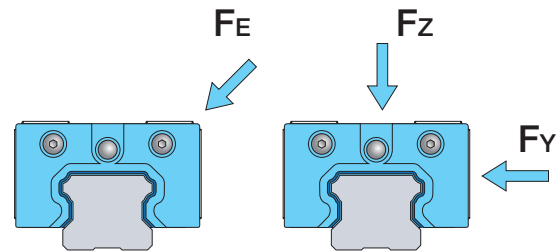
A minimum safety factor for static load capacity is not given here.

The static load capacity should not be mixed up with the static load rating that is specified in calculation of linear guides. Only for the axis of the series AXBG the static safety is to be determined because the loads affect here on the carriages directly.

The static load capacity of a Linear Axis results from the maximum load capacity of all related components in their interaction and is lower than the static load rating of the guiding system.

An additional check the static safety of the guiding system is not necessary.

If a Linear Axis is subjected in static alternating loads use, the values of the dynamic load capacity shall be recognized as the maximum values.



$$F_E = |F_Y| + |F_Z|$$

Figure 2.2 – Equivalent load

## 2.7 Life time

### 2.7.1 Dynamic load capacity / Nominal life time

The catalogue data to the dynamic load capacity of the Linear Axis (except AXBG) based on the nominal life time of 50,000 km for toothed belt axis, of 25,000 km for screw drive axis and of 10,000 km for Linear Axis with polymer track roller guides. The change of the nominal lifetime depending on the load is shown in Figure 2.3. If the loads are lower than the described limits, no further investigation is necessary.

If the nominal life time of the Linear Axis should be calculated, the calculation basics for linear guides, ball screws, racks and track rollers, which are described in the relevant catalogue, must be applied.

For Linear Axis of the AXBG series this calculation rules are always applicable.

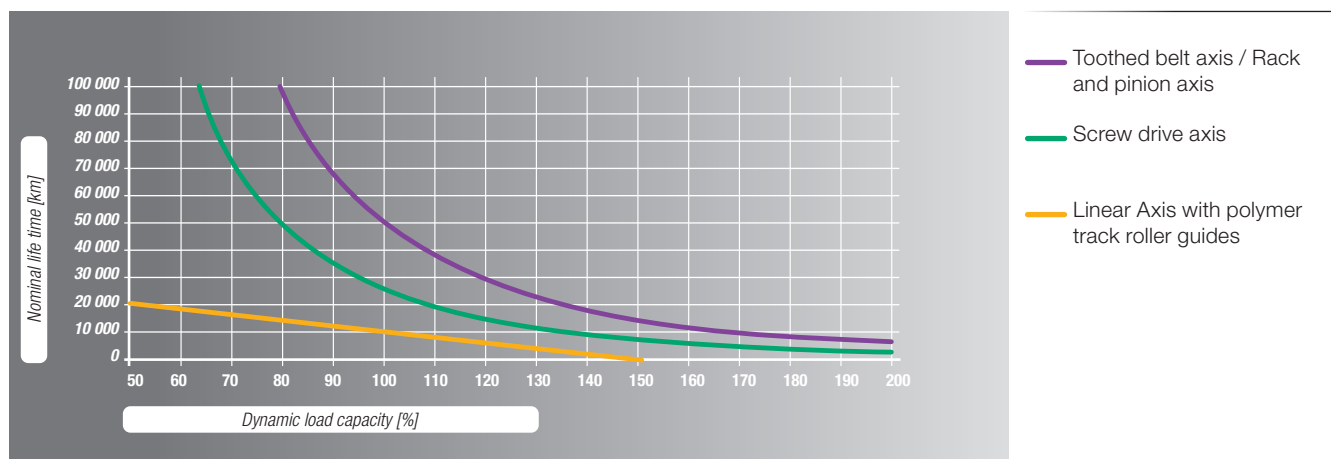


Figure 2.3 – Nominal life time

In case of higher dynamic loads, please contact at on our NTN-SNR application engineers or use for complex loads our calculation service.

### 2.7.2 Influence factors

For a calculation of the nominal life, it is often very difficult, to determine the real acting loads exactly.

- Linear Axis are usually subject to oscillations or vibrations caused by the process or driving forces.
- Linear Axis are to be dimensioned so that the load peaks of shocks do not exceed the maximum permissible loads. This applies to the dynamic and the static state of the system.

## 2.8 Rigidity

The rigidity of a Linear Axis is specified by the correlation between the external load and the resulting elastic deformation in the load direction.

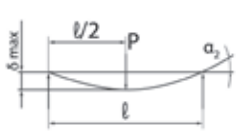
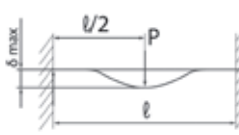
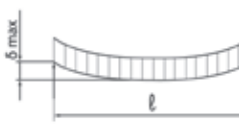
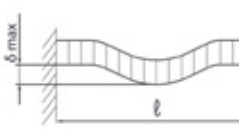
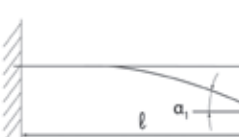
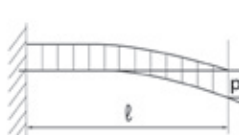
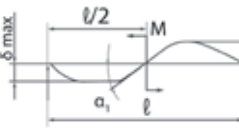
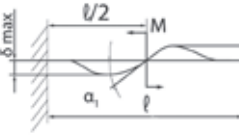
The rigidity is an important parameter for the selection of the Linear Axis because the rigidity values are changing depending on the type and version of the SNR Linear Axis. Essentially, the rigidity of the Linear Axis is determined by the rigidity of the aluminum profile.

The total deformation of a system still depends on the following external factors:

- Kind of the loads (point loads, line loads or moment loads)
- Kind of the fixation of the Linear Axis
- Length of the Linear Axis
- Distance of the fastening points

Some examples of calculation of the bending of the Linear Axis are shown in Table 2.1.

Table 2.1 — Bending of Linear Axis

Kind of bearing	Kind of load	Specification	Bending	Bending angle
Support - Support	Point load		$\delta_{\max} = \frac{Pl^3}{48EI}$	$\alpha_1 = 0$ $\tan \alpha_2 = \frac{Pl^2}{16EI}$
Fixed - Fixed	Point load		$\delta_{\max} = \frac{Pl^3}{192EI}$	$\alpha_1 = 0$ $\alpha_2 = 0$
Support - Support	Line load		$\delta_{\max} = \frac{5pl^4}{384EI}$	$\tan \alpha_2 = \frac{pl^3}{24EI}$
Fixed - Fixed	Line load		$\delta_{\max} = \frac{pl^4}{384EI}$	$\alpha_2 = 0$
Fixed - Free	Point load		$\delta_{\max} = \frac{Pl^3}{3EI}$	$\tan \alpha_1 = \frac{Pl^2}{2EI}$ $\alpha_2 = 0$
Fixed - Free	Line load		$\delta_{\max} = \frac{pl^4}{8EI}$	$\tan \alpha_1 = \frac{pl^3}{6EI}$ $\alpha_2 = 0$
Support - Support	Moment load		$\delta_{\max} = \frac{\sqrt{3}Ml^2}{216EI}$	$\tan \alpha_1 = \frac{Ml}{12EI}$ $\tan \alpha_2 = \frac{Ml}{24EI}$
Fixed - Fixed	Moment load		$\delta_{\max} = \frac{Ml^2}{216EI}$	$\tan \alpha_1 = \frac{Ml}{16EI}$ $\tan \alpha_2 = 0$

## 2.9 Dynamic operating load

The existing dynamic operating load must be determined and compared with the permissible dynamic operation load for Linear Axis with toothed belt drive.

The dynamic operating load is calculated by the formula [2.2].

$$F_{z\text{ dyn}} = \frac{T_0 * 2\pi}{P} + m * a + m * g * \sin \alpha$$

[2.2]

$F_{z\text{ dyn}}$	Existing dynamic operating load [N]
$T_0$	Idling speed torque [Nm]
$P$	Feed constant [m]
$m$	Moved mass [kg]
$a$	Acceleration [ $\text{ms}^{-2}$ ]
$g$	Gravity constant [ $9,81 \text{ ms}^{-2}$ ]
$\alpha$	Assembling position [°]

$$F_{z\text{ dyn } 0} \geq F_{z\text{ dyn}}$$

[2.3]

$F_{z\text{ dyn } 0}$	Permissible dynamic operation [N]
$F_{z\text{ dyn}}$	Existing dynamic operation [N]

## 2.10 Precision

The running parallelism of Linear Axis is mainly determined by the tolerances of the used aluminum profiles. The profiles used by us meet or exceed the requirements of EN12020-2 for precision profiles.

Linear Axis with toothed belt /  $\Omega$  - drive of the series AXDL\_A and lifting axis of the series AXS, which usually unsupported used, are produced with improved straightness in limited length. The maximum length therefore are specified in the data tables. By the profile machining a straightness of 0.1 mm / m is achieved in this Linear Axis.

The most common requirement in applications of Linear Axis is the repeatability. These values are in the data tables for all SNR Linear Axis specified. More details are only available in the data tables for the NTN-SNR precision axis AXBG made on steel base.

For more information please contact our NTN-SNR application engineers.

## 2.11 Gearbox selection

For the selection of the gearbox for a Linear Axis the following should be considered:

- Maximum operating speed
- Maximum acceleration torque
- Nominal torque on the drive

These parameters are manufacturer information which take into account the mechanical and thermal limits of the gearbox and that are not allowed to be exceeded.

### 2.11.1 Maximum operation speed

$$n = \frac{v * 60}{P}$$

[2.4]

n	Existing operation speed [min <sup>-1</sup> ]
v	Velocity [ms <sup>-1</sup> ]
P	Feed constant [m]

$$n_{max} \geq n$$

[2.5]

n <sub>max</sub>	Maximum permissible operation speed [min <sup>-1</sup> ]
n	Existing operation speed [min <sup>-1</sup> ]

### 2.11.2 Maximum acceleration torque

$$T_{max} = T_0 + \frac{m * a * P}{2\pi} + \frac{m * g * \sin \alpha * P}{2\pi}$$

[2.6]

T <sub>max</sub>	Existing acceleration speed [Nm]
T <sub>0</sub>	Idling speed torque [Nm]
P	Feed constant [m]
m	Moved mass [kg]
a	Acceleration [ms <sup>-2</sup> ]
g	Gravity constant [9,81 ms <sup>-2</sup> ]
α	Assembling position [°]

$$T_{amax} \geq T_{max}$$

[2.7]

T <sub>amax</sub>	Maximum permissible acceleration torque [Nm]
T <sub>max</sub>	Existing acceleration torque [Nm]

### 2.11.3 Nominal torque on the drive

$$T = T_0 + \frac{m * g * \sin \alpha * P}{2\pi}$$

[2.8]

T	Existing torque on the drive [Nm]
T <sub>0</sub>	Idling speed torque [Nm]
P	Feed constant [m]
m	Moved mass [kg]
g	Gravity constant [9,81 ms <sup>-2</sup> ]
α	Assembling position [°]

$$T_a \geq T$$

[2.9]

T <sub>a</sub>	Permissible nominal torque on the drive [Nm]
T	Existing torque on the drive [Nm]

## 2.12 Drive calculation

- NTN-SNR provides, as a customer service, the assembling of drives provided by the customer.
- NTN-SNR assumes no warranty for the calculation of the provided drive.
- Calculations of drives are carried out exclusively by the respective drive manufacturer.
- The reason for this is that NTN-SNR does not have all necessary calculation tools and basic data of these drives.

## 2.13 Selection of Linear Axis with toothed belt drive for 90 ° tilt mounting (wall mounting)

For Linear Axis with a toothed belt drive in a 90 ° tilted arrangement (wall mounting), the toothed belt can be displaced downwards during operation by the gravity force to the flanged pulley. For this reason, we recommend not to exceed the stroke length specified in Table 2.2.

Table 2.2 — Stroke length for Linear Axis with toothed belt drive

Series	Type	Stroke length [mm]
AXC	AXC40Z	1500
	AXC60Z	2000
	AXC80Z	2500
	AXC100Z	3000
	AXC120Z	3000
AXDL	AXDL110Z	2000
	AXDL160Z	2500
	AXDL240Z	3000
AXF	AXF100Z	3000
AXS	AXS280Z	3000

If the mounting of the Linear Axis is provided in this position, this information is required in the order description.

During operation, the centered run of the toothed belt must be checked together with the maintenance of the Linear Axis specified in Chapter 4.7.

## 3. Mounting and Start-up

### 3.1 Transportation and storage

SNR Linear Axis are high-precision components. Heavy shocks could damage the mechanics of the Linear Axis and impair its function. To avoid damage during transportation and storage, the following points should be observed:

- Protection against strong vibrations or shocks, aggressive substances, moisture and contamination
- Using of a sufficiently large packaging and prevent them against slipping during transportation
- Linear Axis can have larger weights and sharp edges. The transportation must be carried out by qualified staff with appropriate personal protective equipment (safety shoes, gloves, ...).
- Linear Axis and packagings with Linear Axis can have great length. To prevent excessive bending during transportation, the Linear Axis and their packaging must be supported at least two points, for lengths from more than 3 m at three points.

### 3.2 Design of the mounting surfaces / mounting tolerances

Any deviation of the flatness, straightness and parallelism of Linear Axis or mounted axis systems leads to tensions that cause additional loads of the guiding elements and reduce the life time. In general, the higher load and kilometerage, the higher the requirements for the mounting and alignment of the Linear Axis or the axis system.

For a safer function of single axis or axis systems their straightness in the longitudinal direction by the alignment of the individual axis must be guaranteed according to Table 3.1:

Table 3.1 — Straightness tolerance for the mounting of Linear Axis

Size	Straightness tolerance after mounting / per meter [mm]
all	0,5

For parallel Linear Axis is the permissible tolerance in the flatness (twisting) and the bending in the longitudinal direction also influenced by the torsional rigidity of the cross traverse. The resulting moment loads ( $M_y$ ) shall not exceed the catalog values (less load moment). It must be noted that simultaneous variations in straightness (Table 3.1), flatness, bending and parallelism (tolerance  $e_0$  and  $e_1$  Table 3.2) result in an addition of the loads on the guiding system and must be taken into account pro rata.

Additional requirements for the quality of the mounting surfaces must be considered when the tables of parallel installed Linear Axis are rigidly connected.

For a parallel installation, the Linear Axis of the AXC and AXF series are mainly suitable.

If the parallel installation of Linear Axis from other series is necessary, please contact for the selection process our NTN-SNR application engineers.



The mounting surfaces of the Linear Axis, as well as for the cross traverse should be machined in the assembly area in a single setup or should be adjustable. It should be aimed for the straightness transverse to the moving direction (Figure 3.1) of the mounting surfaces base tolerances  $e_0$  and the parallelism tolerances  $e_1$  of the Linear Axis from Table 3.2.

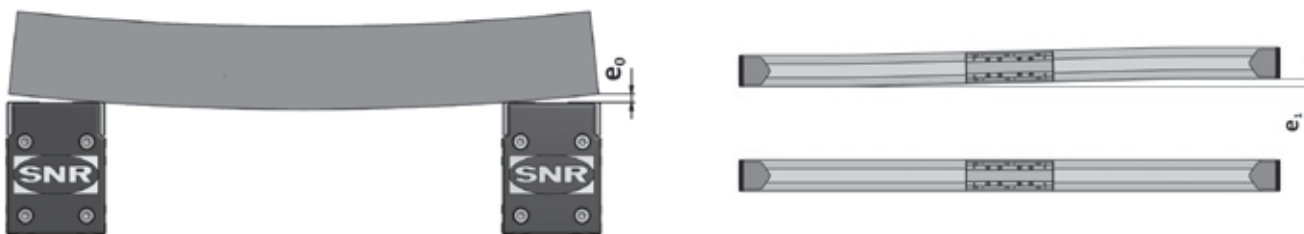


Figure 3.1 — Tolerances of parallel Linear Axis

Table 3.2 — Mounting tolerances of parallel Linear Axis

Type	Base tolerance $e_0$ [mm]	Parallelism tolerance $e_1$ [mm]
AXC60	0,010	0,018
AXC80	0,010	0,020
AXC100 / AXF100	0,020	0,022
AXC120	0,020	0,030

If a machining of the mounting surfaces to above-mentioned requirement are not provided or this value is exceeded by the deflection of the cross traverse, a control of parallelism must be made and, if necessary a correction must be made. The diagram in Figure 3.2 shows the relationship between mounting tolerances and possible dynamic load capacity.

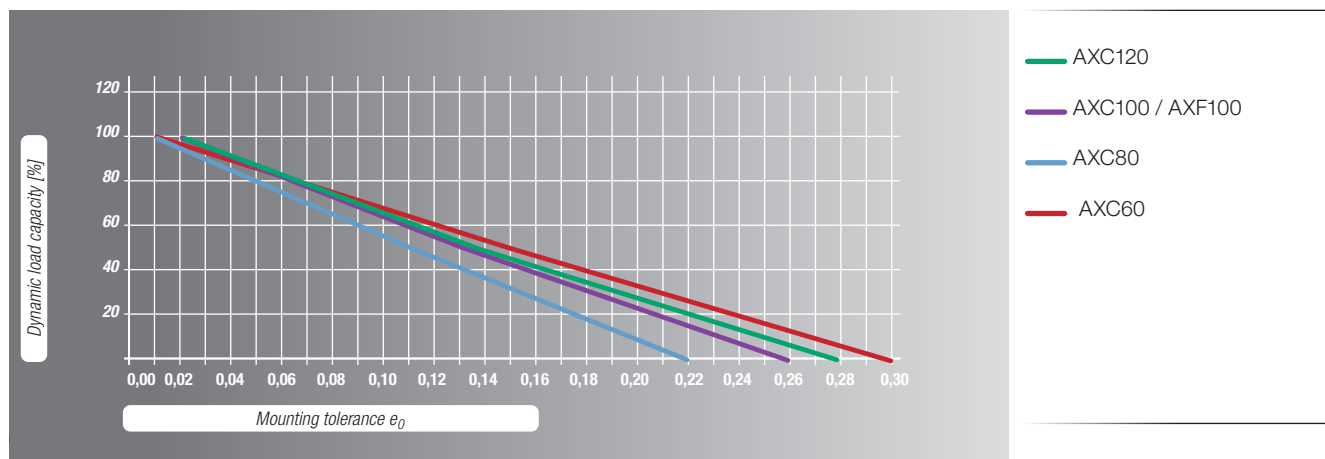


Figure 3.2 — Dynamic load capacity of Linear Axis related to the mounting tolerances

### 3.3 Mounting instruction

When mounting the Linear Axis (incomplete machine) listed below conditions must be fulfilled so that they can be assembled correctly and without affecting the health and safety of staff with other parts to form a complete machine.



Caution! The motor housing can reach high temperatures during operation.

The Linear Axis should be installed so that the structure-borne noise is minimized. Other machine parts should be designed so that they do not lie in the resonance range of the Linear Axis.

SNR Linear Axis of the AXC and AXDL series can be fastened by sliding blocks or mounting strips at plane surfaces or other Linear Axis from the SNR product range. The number of mounting points must be matched to the application. With punctual support of the Linear Axis, the resulting bending does not impair the function nor impair the required accuracy. The mounting strips are laterally hooked on the Linear Axis profile and, thanks to its special design are easy to assemble by screwing them from above (Figure 3.3). They can be positioned anywhere within the entire profile length.

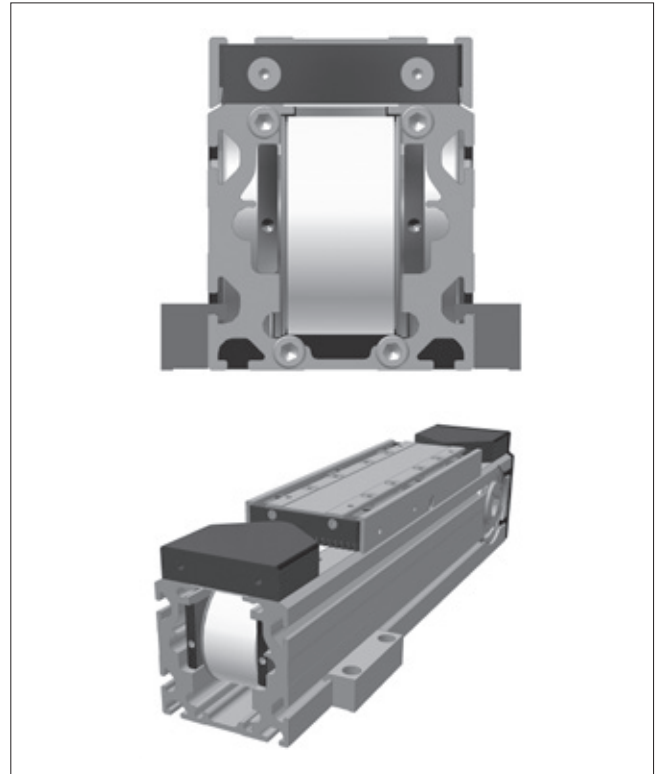


Figure 3.3 — Fastening strips AXC / AXDL

Alternatively, all Linear Axis can also be mounted on swivel-sliding blocks, which can also be freely positioned along the entire length (Figure 3.4).

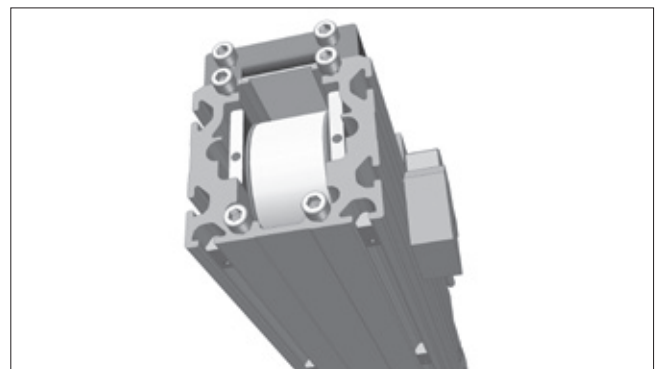


Figure 3.4 — Sliding blocks AXC / AXDL

For Linear Axis of the AXLT and AXLM series are also two mounting options available, either through a direct screw from the top or by swivel-sliding blocks for the grooves on the underside of the base plate.

The sliding blocks can be freely positioned along the entire length (Figure 3.5).

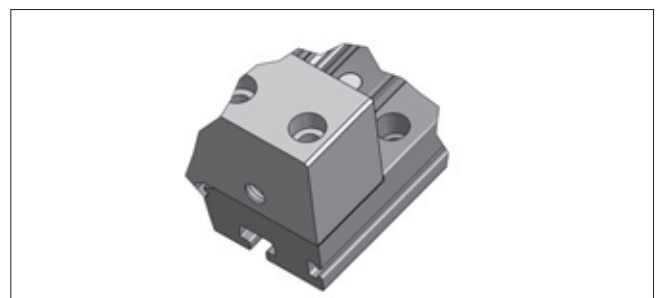


Figure 3.5 — Sliding blocks AXLT / AXLM

Linear Axis of the AXBG series can be screwed from above through the U - shaped rail profile (Figure 3.6).

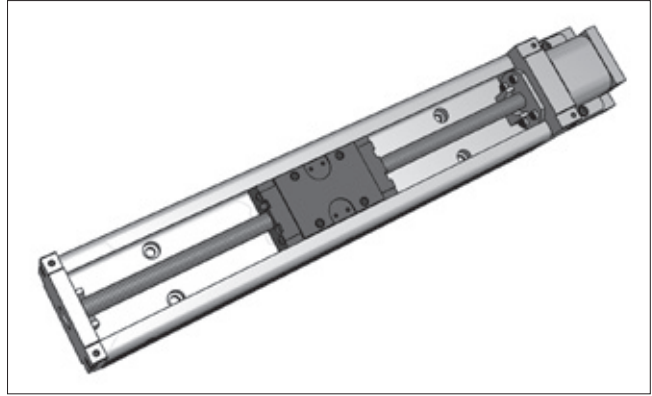


Figure 3.6 — Mounting AXBG

The Linear Axis of the AXF series can be mounted at plane surfaces or other Linear Axis by usage of fastening elements (Figure 3.7) or hammer screws or hammer nuts (Figure 3.8). In this series all profile grooves are closed and must be opened at the necessary fixing points.

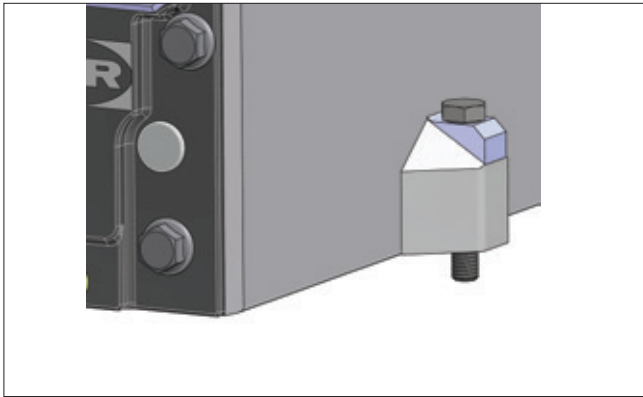


Figure 3.7 — Fastening element AXF



Figure 3.8 — Hammer screw AXF

Generally, the number of mounting points must be matched to the application in all types of fastening. With punctual support of the Linear Axis, the resulting bending does not impair the function nor impair the required accuracy.

### 3.4 Mounting of parallel Linear Axis

Generally, we recommend the allingment of parallel Linear Axis with an assembled crossbar. This is the only safe method to reduce tensioning and thus interference of the life time to a minimum. The mounting has be carried out according to the following steps:

1. Align the first Linear Axis (drive axis) straight and assemble it completely.
2. Align the second Linear Axis parallel and tighten only slightly.
3. Move the tables in one end position.
4. Place the traverse (or crossbar).
5. If a relevant deflection is to be expected, apply the load or simulate it.
6. Check the parallelism with the feeler gauge. If necessary insert foil sheets or correct angular position of the Linear Axis.
7. Alingn traverse (or crossbar) and fix it.
8. Loosen the mounting screws of the parallel Linear Axis, so that a slight displacement is possible.
9. Move the table to the respective mounting position and tighten the screws. Start with the end position.
10. Finally, loosen the connection to the tables completely and tighten it again.

### 3.5 Start-up of Linear Axis

Linear Axis can travel at high velocity with a large degree of force. Slider fittings can lead to bodily injury or material damage upon collision. Start-up should thus be performed with the utmost caution.

Furthermore, it should be ensured upon start-up that the permissible loads are not exceeded and the slider fittings are securely fastened. It should also be ensured that the maximum possible travel distance is not exceeded. If travel distance is limited with liwith switches, they should be previously tested in terms of performance and correct positioning.

Hazards can arise through unintentional descending of vertical Linear Axis. The end user must take precautions according to EN ISO 13849-1.



The manufacturer is not liable for damages resulting from non-observance of these start-up instructions. The user bears sole responsibility for all risks.

Table 3.3 — Tightening torque of the screws from the coupling hub

Type	Tightening torque	
	Clamping hub [Nm]	Tension ring hub [Nm]
AXBG15S AXBG20S	0,43	-
AXBG26S AXBG33S	0,85	-
AXC40S/T	1,34	-
AXC40A/Z	1,34	1,34
AXBG46S AXBG55S	4,50	-
AXC60A/Z	10,5	3,00
AXC60S/T AXC80S/T AXC100S/T AXF100S/G/T AXC120S/T AXDL110S/T AXDL160S/T AXDL240S/T AXLT155S/T AXLT225S/T AXLT325S/T	10,5	-

Type	Tightening torque	
	Clamping hub [Nm]	Tension ring hub [Nm]
AXC80A/Z AXDL110Z	10,5	6,00
AXC100Z AXF100Z AXS110TA AXC120A/Z AXDL160A/Z AXDL240A/Z AXLT455S/T	25,0	6,00

### 3.6 Assembly of couplings on Linear Axis with toothed belt drive

The assembling of couplings on Linear Axis with toothed belt drive is carried out according to the following steps (Figure 3.9):

1. The coupling hub with feather key **1** is already screwed in the hollow shaft of the Linear Axis by the fastening screws **2** and equipped with the elastomeric gear rim **3** on delivery.
2. The axis side coupling hub will be optionally combined with clamping hub **4** and clamping screw **5** for drives with feather key or with tension ring hub **6**. The screws must be installed with the tightening torque from Chapter 3.5, Table 3.3.
3. For parallel Linear Axis with connecting shaft, a half-shell clamping hub **7** is used. These allow a later mounting and dismantling of the connection shaft.

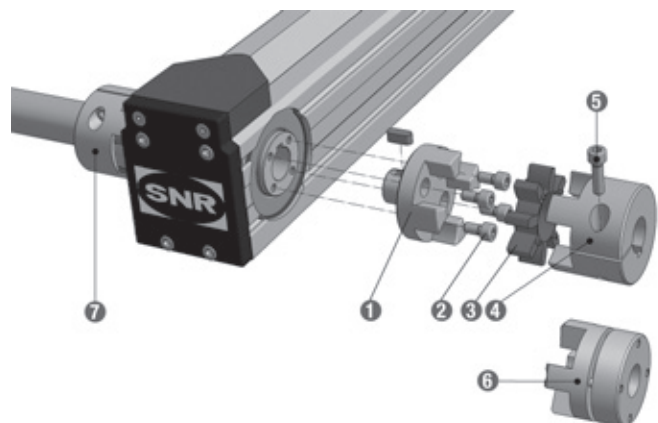


Figure 3.9 — Mounting of couplings on Linear Axis with toothed belt drive

## 3.7 Drive assembly

### 3.7.1 Drive assembly on Linear Axis with toothed belt drive and coupling cone

The assembling of drives on Linear Axis with toothed belt drive and coupling cone is carried out according to the following steps (Figure 3.10):

1. The axis side coupling hub with the elastomeric gear rim **2** is always assembled on the Linear Axis on delivery.
2. Insert the coupling hub **3** on the drive or gearbox shaft **5**. The mounting dimension LK (Figure 3.11) from Table 6.23 in Chapter 6.2.4.1 must be taken into account.
3. Tighten the clamping screw **4** with the required tightening torque according to Chapter 3.5, Table 3.3.
4. Insert the drive with the coupling hub **3** into the coupling hub with the elastomeric gear rim **2** and screw it to the coupling cone **1**.

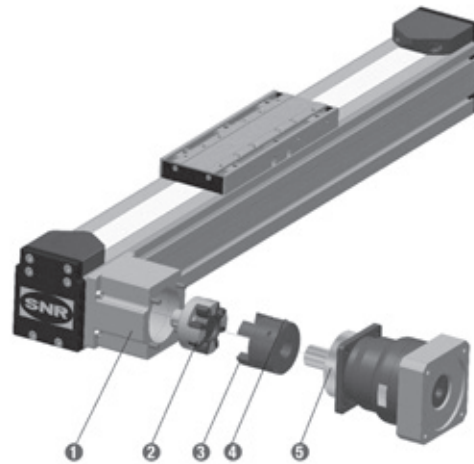


Figure 3.10 — Drive assembly on Linear Axis with toothed belt drive and coupling cone

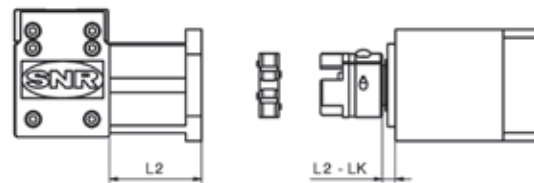


Figure 3.11 — Mounting dimension

### 3.7.2 Drive assembly on Linear Axis with toothed belt drive and planetary gearbox

The assembling of drives on Linear Axis with toothed belt drive and planetary gearbox is carried out according to the following steps (Figure 3.12):

1. Place the Linear Axis **1** laterally so that the mounting flange of the drive **2** faces upwards.
2. Lubricate the drive shaft, bore of the hollow shaft and bolt spacer.
3. Move the slider **3** until the clamping screw is visible in the access hole **4**.
4. Check for AXC60 that the slot in the bolt spacer is 90° turned to the clamping screw.
5. Insert drive **5**.
6. Tighten the clamping screw with the required tightening torque according to Table 3.4. With two clamping screws, tighten the clamping screws slightly and then tighten alternately until the required tightening torque according to Table 3.4.
7. Insert and tight the fastening screws.
8. Close the access hole in the mounting flange of the drive **2** with the supplied plug.

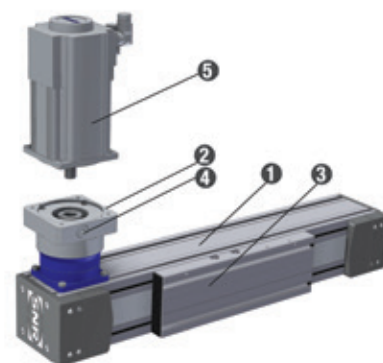


Figure 3.12 — Drive assembly on Linear Axis with planetary gearbox

Table 3.4 – Tightening torque off he clamping screws

Wrench size [mm]	Tightening torque [Nm] <sup>1</sup>		
	Gearbox version E / P	AXC60Z / A Gearbox version E / P	Gearbox version S
3	4,1	5,0	6,0
4	9,5	9,0	14
5	14	11	29
6	35		52
8	79		

<sup>1</sup>For all other versions and deviations, the assembly instructions of the gearbox manufacturer apply

Tabelle 3.5 – Motor mounting on Linear Axis with spindle drive

Type	Elastomeric gear rim is drilled for motor shaft diameter <sup>1</sup>	Monting dimension A	Tightening torque clamping screw
	[mm]	[mm]	[Nm]
AXC40S/T	-	7	1,34
AXC60S/T AXC80S/T AXC100S AXDL160S/T AXLT225S/T	19	3	10,5
AXC120S/T AXDL240S/T AXLT325S/T	24	3	10,5
AXLT155	-	7	1,34
AXLT455	-	8	25,0

<sup>1</sup>For motors with feather key, the delivery contains a shorter feather key to exchange

### 3.7.3 Drive assembly on Linear Axis and Linear Tables with screw drive

The assembling of drives on Linear Axis and Linear Tables with screw drive and coupling cone is carried out according to the following steps (Figure 3.13):

1. Insert the coupling hub **2** on the drive or gearbox shaft. The dimension A (Figure 3.14) from Table 6.24 in Chapter 6.2.4.2 and dimension B when using an optional intermediate flange **5**, should be considered.
2. Tighten the clamping screw **3** with the required tightening torque according to Chapter 3.5 Table 3.3.
3. Insert elastomeric gear rim **4**. For drives with feather key and shaft diameter 19 and 24 mm the elastomeric gear rim is drilled through. A shorter feather key for exchange is delivered as well.
4. Insert the drive with the coupling hub **2** and mounted elastic gear rim **4** in the coupling hub from the Linear Axis and screw it with the coupling cone **1**.

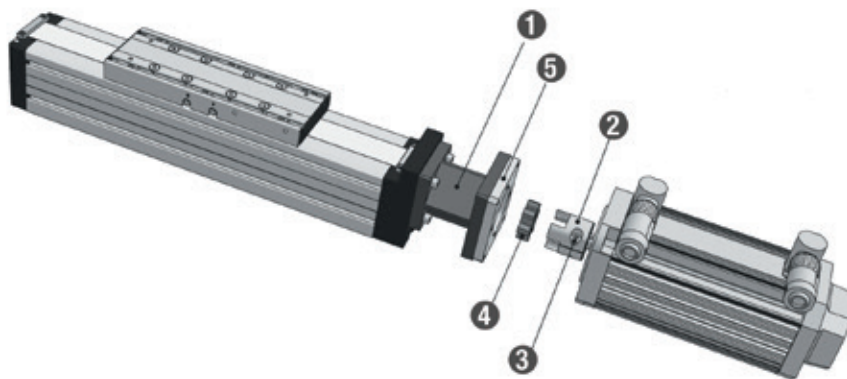


Figure 3.13 — Drive assembly on Linear Axis with screw drive and coupling cone

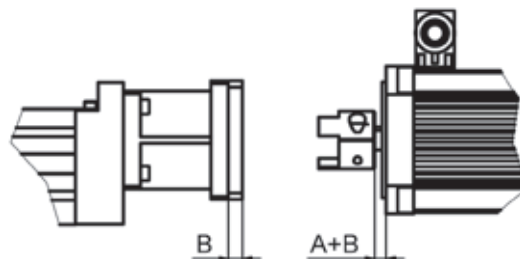


Figure 3.14 — Mounting dimension

### 3.8 Assembly of a deflection belt drive on Linear Axis and Linear Tables with screw drive

For the assembling of a deflection belt drive on Linear Axis with screw drive of the series AXC, AXF, AXDL and AXLT, the following steps in accordance to Figure 3.15 must be observed:

1. Mount the housing for the deflection belt drive **1** in the desired position on the Linear Axis with the fastening screws **2**.
2. Insert the toothed belt disc **4** with the clamping hub **3** on the shaft of the Linear Axis and tight the screws with the required tightening torque from Table 3.7.
3. Insert the toothed belt disc **9** with the clamping hub **3** on the shaft of the drive and tight the screws with the required tightening torque from Table 3.7.
4. Fasten the drive **6** with the screws **7** on the drive adapter **10**.
5. Insert in the housing **1** and tighten the fastening screws **11** of the drive adapter **10** with light clearance (so that a smooth movement is possible).
6. Insert toothed belt **5**.
7. Toothed belt tension (Consider the permissible load capacity of the drive shaft, if necessary reduce the toothed belt tension and proportionally the drive torque):
  - a. By the torque  
Fasten the tensioning plate with the oiled tensioning screw **12** on the drive adapter **10**. Tight the tensioning screw **12** with the required tightening torque from Table 3.6.
  - b. By a frequency measuring device TOOLSPEBELTPRO-SW (ID Number 372992)  
Fasten the tensioning plate with the oiled tensioning screw **12** on the drive adapter **10**. Tight the tensioning screw **12**. Attach the toothed belt with a metal pin and measure the eigenfrequency with a frequency measuring device (accout the user manual). When the values from Table 3.5 are reached, the correct toothed belt tension is achieved.
  - c. By the SNR measuring device for the toothed belt tension  
Assemble the measuring device on the drive adapter **10**. Tighten the tensioning screw until the value from Table 3.5 is reached.
8. Tight the fastening screws **11** of the drive adapter **10** with the required tightening torque (when using the SNR measuring device, remove these and close the deflection belt drive with the tensioning plate and the tensioning screw).
9. Close the deflection belt drive with the cover **13**.

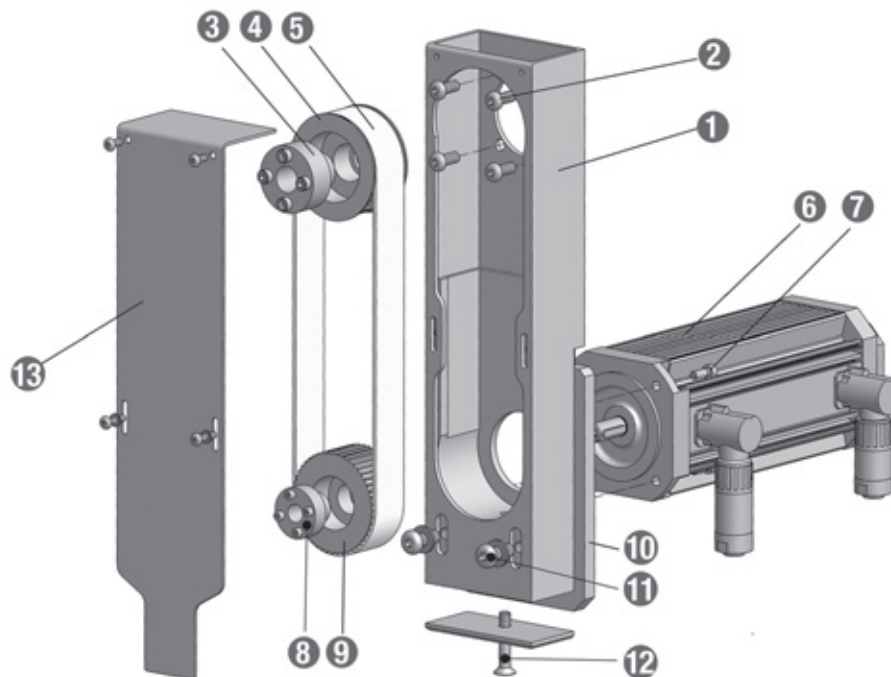


Figure 3.15 — Assembly deflection belt drive



Table 3.6 — Parameter deflection belt drives

Series	Type	Version	Pretension force on the measuring device <sup>1</sup> [N]	Pretension force on the toothed belt [N]	Eigenfrequenz <sup>2</sup> [Hz]	Torque tensioning screw <sup>3</sup> [Nm]	Distance motor flange - center toothed belt discdrive [mm]	Maximum permissible drive torque (permanent torque) <sup>4</sup> [Nm]	
AXC	AXC60	SN1605	100	50	149	0,2	18	1,8	
		SV1605	130	65	170	0,3		2,6	
		SN1610	170	85	194	0,4		3,5	
		SV1610	250	125	236	0,5		5,3	
		SN1616	270	135	245	0,6		5,6	
		T_1604	140	70	176	0,3		3,0	
		T_1608	210	105	216	0,5		4,5	
	AXC80	SN2005	100	50	68	0,2	21	2,1	
		SV2005	160	80	85	0,3		3,7	
		SN2020	350	175	126	0,8		8,3	
		SV2020	630	315	170	1,4		15,0 (11,0)	
		SN2050	630	315	170	1,4		15,0	
		T_2004	190	95	93	0,4		4,3	
		T_2008	260	130	109	0,6		6,0	
	AXC100	SN2505	210	105	98	0,5	21	4,8	
		SN2510	400	200	135	0,9		9,5	
		SN2525	630	315	170	1,4		15,0 (11,0)	
		SN2550	630	315	170	1,4		15,0	
		TN2405	420	210	138	0,9		10,0	
		TN2410	590	295	164	1,3		14,0	
		SN3205	150	75	54	0,4		5,6	
	AXC120	SN3210	290	145	74	0,9	30	11,0	
		SN3220	580	290	105	1,7		22,0	
		SN3232	630	315	110	1,9		24,0	
		T_3606	630	315	98	1,5		19,0	
		T_3612	500	250	110	1,9		24,0	
		SN2505	210	105	98	0,5		4,8	
		SN2510	400	200	135	0,9		9,5	
AXF	AXF100_-D	SN2525	630	315	170	1,4	21	15,0 (11,0)	
		SN2550	630	315	170	1,4		15,0	
		TN2405	420	210	138	0,9		10,0	
		TN2405	190	95	93	0,4		4,3	
	AXF100_-P	GN2020	240	120	105	0,5	21	5,7	
		GN2060	550	275	158	1,2		13,0	
		GN2090	630	315	170	1,4		15,0	
AXDL	AXDL110	SN1605	100	50	149	0,2	18	1,1	
		SN1610	110	55	156	0,2		2,3	
		SN1616	170	85	194	0,4		3,6	
		TN1604	100	50	149	0,2		1,9	
		TN1608	140	70	176	0,3		2,9	
		SN2505	110	55	71	0,2		2,5	
	AXDL160	SN2510	210	105	98	0,5	21	4,9	
		SN2525	510	255	153	1,1		12,0 (11,0)	
		SN2550	630	315	170	1,4		15,0	
		TN2405	260	130	109	0,6		6,0	
		TN2410	380	190	132	0,8		9,0	
		S_3205	170	85	57	0,5		6,4	
	AXDL240	S_3210	350	175	82	1,0	30	13,0	
		S_3220	630	315	110	1,9		24,0	
		S_3232	630	315	110	1,9		24,0	
		T_3606	580	290	105	1,7		22,0	
		T_3612	630	315	110	1,9		24,0	
		SN2005	210	105	163	0,5		4,3	
	AXLT	AXLT155	SN2020	460	230	241	1,0	21	10,0
			TN2004	330	165	204	0,7		7,0
			TN2008	460	230	241	1,0		9,8
SN2505			230	115	102	0,5	5,4		
AXLT225		SN2510	470	235	146	1,0	21	11,0	
		SN2525	630	315	170	1,4		15,0 (11,0)	
		SN2550	630	315	170	1,4		15,0	
		TN2405	420	210	138	0,9		10,0	
		TN2410	590	295	164	1,3		14,0	
		SN3205	290	145	74	0,9		11,0	
AXLT325		SN3210	550	275	103	1,6	30	21,0	
		SN3220	630	315	110	1,9		24,0	
		SN3232	630	315	110	1,9		24,0	
		TN3606	630	315	110	1,9		24,0	
		TN3612	630	315	110	1,9		24,0	
		SN4005	260	130	30	0,8		16,0	
AXLT455		SN4010	600	300	45	1,8	45	38,0	
		SN4020	1 200	600	64	3,6		76,0	
		SN4040	1 650	825	75	4,9		105,0	
		TN4007	700	350	49	2,1		44,0	

<sup>1</sup> SNR measuring device for the toothed belt tensioning

<sup>2</sup> Toothed belt tensioning by a frequency measuring device

<sup>3</sup> Value results in a toothed belt tensioning force with 25% safety

<sup>4</sup> Maximum permitted drive torque = Table value / ratio

Table 3.7 — Tightening torques clamping hub

Diameter drive shaft	[mm]	≤ 6	≤ 14	> 14
Fastening torque clamping ring	[Nm]	2	5	10

### 3.9 Mounting of Beam Axis for parallel use with rack and pinion drive

The Linear Axis AXS120M\_ and AXS300MP with guiding system B are specifically designed for parallel use of Linear Axis, mounted in large distance. For these operating conditions, a compensation system for misalignment, thermal expansion and synchronism error is mounted on the slider unit.

A special version of the Compact Linear Axis AXC120Z can also be equipped with this compensation system.

During assembly, the Linear Axis must be aligned in parallel and finally fastened. To activate the compensation system, the cylinder bolt ❶ (Figure 3.16) must then be removed.

The cylinder bolt is located on only one of the two parallel Linear Axis. The Linear Axis with the activatable compensation system is marked in the type code with the configuration version H. Without activatable compensation system, it is the configuration version G. Normally, the cylinder bolt is mounted on the Linear Axis, which is not equipped with the liwith switches and initiators.

The carriages ❷ and the rack and pinion drive ❸ of the Linear Axis AXS120M\_ and AXS300MP are equipped with lubrication connections for central lubrication systems. The position of the lubrication connections are shown in Figure 3.16.

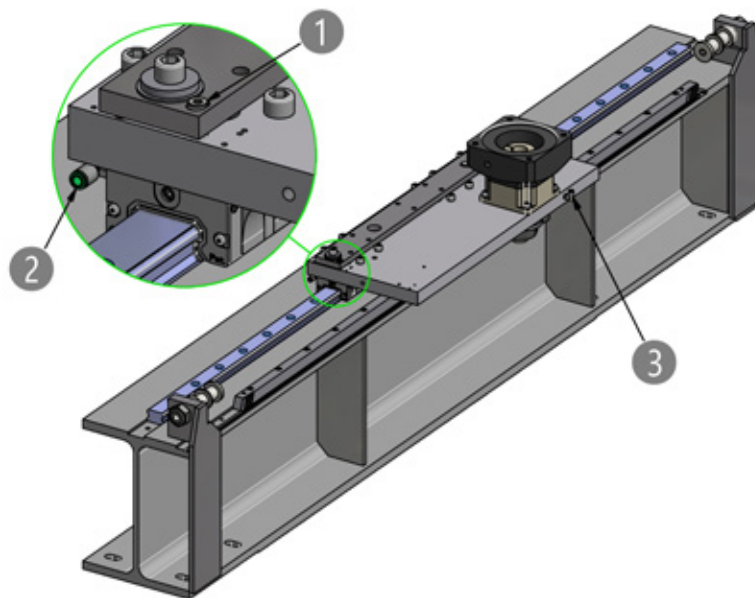


Figure 3.16 — Position of the cylinder bolt and the lubrication connections of Beam Axis for parallel use

Optionally, lubrication systems or lubricators and grease nipples can be installed by NTN-SNR.

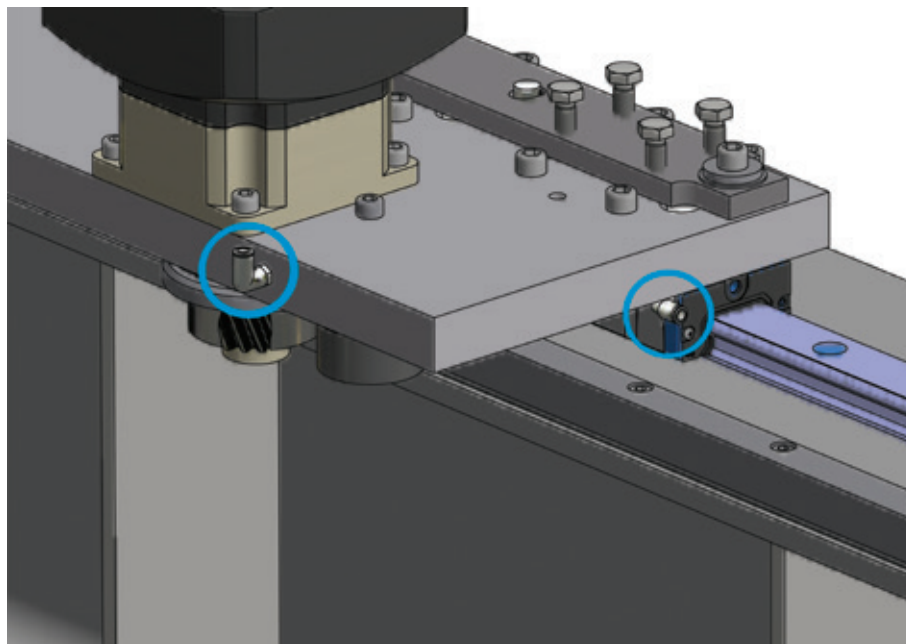


Bild 3.17 — Lubrication connection for automatic lubrication systems

## 4. Maintenance and lubrication

### 4.1 General information



Caution!

All maintenance and service works must be carried out in power off and secured stage. The motor housing can reach high temperatures during operation.

### 4.2 Lubrication

For the reliable operation of the Linear Axis, a sufficient lubrication is essential.

The lubrication should ensure a lubricant film (oil film) between rolling elements and raceways of the guiding and drive elements to prevent wear and premature fatigue of the components.

In addition, the metallic surfaces are protected against corrosion. Furthermore, the lubricant film allows a smooth sliding of the seals on the surfaces and reduces also the wear of them.

Insufficient lubrication not only increases the wear, it reduces also significantly the life time.

An optimal selection of the lubricant has a decisive influence on the function and life time of the Linear Axis. In order for the function of the system to be not affected and remain over a long period lubricated according to the environmental conditions; specific requirements should be defined.

Such environmental conditions and factors may be for example:

- High or low temperature
- Condensation and splash water effects
- Radiation exposure
- High vibration stress
- Use under vacuum conditions and/or in clean rooms
- Applying of special substances (for example, vapors, acids, etc.)
- High acceleration and velocity
- Continually short stroke movement (< 2 x carriage length)
- Dirt and dust

### 4.3 Lubricants

There are several types of situational lubricants for the different guiding and drive systems of the Linear Axis.

The lubricants have the following functions:

- Reduction of the friction
- Reduction of the starting moment
- Protection against wear
- Corrosion protection
- Noise reduction

#### Linear guides and ball screws

Lithium soap greases with the marking KP2-K according to DIN 51825 and NLGI class 2 according to DIN 51818 with EP additives are to be used under normal conditions.

Specific requirements under special environmental conditions require the selection of a corresponding suitable grease.

SNR LUB HEAVY DUTY is used as standard grease.

In general the compatibility of the lubricants must be checked with each other or with the corrosion protection oil.

Table 4.1 provides an overview of the lubricants used by NTN-SNR for linear guides and ball screws. The use of greases containing solid additives (for example, graphite or MoS<sub>2</sub>) is not allowed.

Table 4.1 — Lubricants for linear guides and ball screws

Description	Base oil / Type of soap	NLGI-classe DIN51818	Worked penetration DIN ISO 2137 at 25°C [0,1mm]	Basic oil viscosity DIN 51562 at 40°C [mm <sup>2</sup> /s]	Density [mg/cm <sup>3</sup> ]	Propertie	Application area
SNR LUB HEAVY DUTY	Mineral oil / Lithium with EP additives	2	295	ca. 115	890	<ul style="list-style-type: none"> <li>• very high protection against wear and corrosion</li> </ul>	<ul style="list-style-type: none"> <li>• high temperature range</li> <li>• high loads</li> </ul>
SNR LUB HIGH SPEED+	Esther, SHC / Lithium, Calcium	2	-	25	900	<ul style="list-style-type: none"> <li>• very good adhesion properties</li> <li>• very good water resistance</li> </ul>	<ul style="list-style-type: none"> <li>• high velocity</li> <li>• low temperature</li> </ul>
SNR LUB HIGH TEMP	semi-synthetic oil / Polyurea	2	265...295	160	900	<ul style="list-style-type: none"> <li>• high temperature resistance</li> <li>• good corrosion protection</li> <li>• high oxydation resistance</li> </ul>	<ul style="list-style-type: none"> <li>• high temperature range</li> </ul>
SNR LUB FOOD	Paraffinic mineral oil, PAO / Aluminum complex	2	265...295	195	920	<ul style="list-style-type: none"> <li>• good corrosion protection</li> <li>• very good adhesion properties</li> <li>• high water resistance</li> <li>• NSF H1 registered*</li> </ul>	<ul style="list-style-type: none"> <li>• food processing industry</li> </ul>
Microlobe GL261	Mineral oil / special lithium-calcium soap	1	310...340	280	890	<ul style="list-style-type: none"> <li>• good wear protection</li> <li>• particulary pressure resistance</li> <li>• additive against tribocorrosion</li> </ul>	<ul style="list-style-type: none"> <li>• high temperature range</li> <li>• high loads</li> <li>• short-stroke application</li> <li>• vibrations</li> </ul>
Klübersynth BEM34-32	Synthetic hydrocarbon oil / special calcium soap	2	265...295	ca. 30	890	<ul style="list-style-type: none"> <li>• particulary pressure resistance</li> <li>• good wear protection</li> <li>• good aging resistance</li> <li>• low starting torque</li> </ul>	<ul style="list-style-type: none"> <li>• clean room application</li> </ul>
Klübersynth UH1 14-151	Synthetic hydrocarbon oil / ester oil Aluminum complex soap	1	310...340	ca.150	920	<ul style="list-style-type: none"> <li>• good corrosion protection</li> <li>• good aging resistance</li> <li>• high water resistance</li> <li>• NSF H1 registered*</li> </ul>	<ul style="list-style-type: none"> <li>• food processing industry</li> <li>• pharmaceutical industry</li> </ul>

\* This lubricant has been registered as an H1 product, i.e. it was developed for occasional, technically unavoidable contact with food. Experience has shown that the lubricant can also be used for appropriate applications in the pharmaceutical and cosmetic industry when the conditions in the product information are adhered to. However, no specific test results that might be required for applications in the pharmaceutical industry, e.g. bio-compatibility, are available. The systems manufacturer and operator should therefore perform appropriate risk analyses before applications in this area. Measures to exclude health risks and injuries have to be taken, where required. (Source: Klüber Lubrication)

## Track roller guides

The hardened steel shafts and the rollers of the track roller guides are oil lubricated under normal conditions. The lubricating oils have to correspond to the specification ISO VG460. NTN-SNR uses as standard oil Shell Omala 460. Table 4.2 provides an overview of the lubricating oils used by NTN-SNR for track roller guides.

Table 4.2 — Lubricating oils for track roller guides

Description	Type of oil	Kinematic viscosity DIN51562 at 40°C [mm <sup>2</sup> /s]	Density [g/cm <sup>3</sup> ]	Temperature range [°C]	Properties	Application range
Shell Omala 460	Mineral oils and additives.	460	904	-10...+90°C	<ul style="list-style-type: none"> <li>• good aging resistance</li> <li>• good temperature stability</li> <li>• good corrosion protection</li> </ul>	Good ageing and temperature stability, good corrosion protection properties General machine construction
Klüberoil 4 UH1-460N	Polyalphaolefin film	460	860	-30...+120°C	<ul style="list-style-type: none"> <li>• good aging resistance</li> <li>• good wear protection</li> <li>• NSF H1 registered*</li> </ul>	Pharmaceutical industry, food industry

## Trapezoidal screw

For trapezoidal screws is the use of the same lubricants as for linear guides and ball screws is possible. Greases containing solid additives (for example, graphite or MoS<sub>2</sub>) can be used in the series AXC, AXF and AXLT. The ingress of these lubricants into the carriages is to be prevented.

## Rack and pinion drive

The rack and pinion drive is optimally supplied with lubricant by a permanent lubrication system in combination with a felt rack-wheel. The system is filled with the lubricant SNR LUB HEAVY DUTY. It can also be used for special versions with different lubricants.

## 4.4 Lubrication methods

SNR Linear Axis can be supplied with lubricant by manual grease gun, automatic lubricators or central lubrication systems.

### 4.4.1 Manual grease guns

When using manual grease guns (Figure 4.1), the guiding and drive elements of the Linear Axis are lubricated by the mounted grease nipple.



Figure 4.1 — SNR Manual grease gun

Experts  
& Tools

#### 4.4.2 Automatic electro-mechanical lubricator DRIVE BOOSTER

An automatic lubricator allows constant and regular lubrication of the drive elements of the Linear Axis. Automatic electro-mechanical lubricators are at SNR Linear Axis suitable and in use only for the lubrication of the rack and pinion drive. The lubricator type DRIVE BOOSTER 120 (Figure 4.2) is used here. The lubricators can be supplied with different kinds of grease or oil and are available for selection in addition to the standard grease SNR LUB HEAVY DUTY with the grease SNR LUB FOOD and the oil SNR FOOD CHAIN OIL.

Experts  
& Tools



Figure 4.2 — Automatic electro-mechanical lubricator  
DRIVE BOOSTER 120

On request the automatic electro-mechanical lubricator DRIVE BOOSTER can also be delivered with the filling quantities 60cc and 250 cc.

For more information please contact our NTN-SNR application engineers.

#### 4.4.3 Central lubrication system

SNR Linear Axis can be supplied on request with a connection for a central lubrication system.

A suitable central lubrication system is the CONTROL BOOSTER (Figure 4.3). The CONTROL BOOSTER has six connectors for lubricant lines, which can be configured individually and can be optionally be equipped with 250 cc and 500 cc volume of lubricant in the CONTROL REFILL unit. The CONTROL REFILL unit can be after emptying replaced or be factory-provided refilled.

Experts  
& Tools



Figure 4.3 — CONTROL BOOSTER

For more information please contact our NTN-SNR application engineers.

## 4.5 Lubrication points

SNR Linear Axis has depending on the series a different number of lubrication points in different positions.

### AXC / AXF Series

The Linear Axis of the AXC and AXF series are equipped on both sides with grease nipples to guarantee the best possible access. This means that per lubrication interval, the amounts of the lubricant indicated in Chapter 4.6 may be introduced only on one side of the axis in the appropriate grease nipple. The lubrication points (Figure 4.4) are marked with «F» for the linear or track roller guide and «S» for the screw. As grease nipples are depending on the size cup head or hydraulic type grease nipple mounted. For the toothed belt axis the lubrication point and their marking «S» is omitted. For Linear Axis of the AXF series with the guiding system P and the drive version Z or GN are the guiding system and the drive maintenance-free and does not have a mounted lubrication connection.

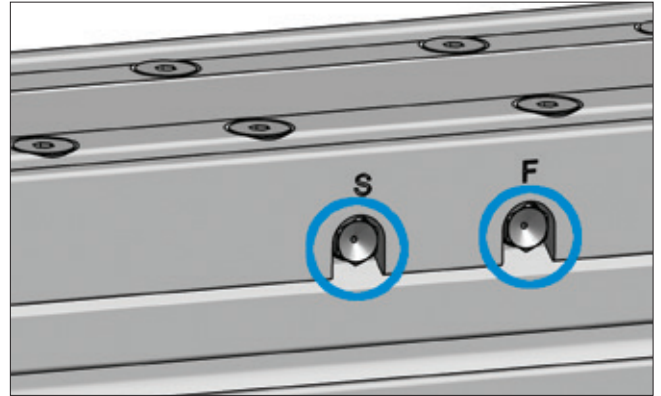


Figure 4.4 — Lubrication points AXC / AXF

### AXDL Series

Linear Axis of AXDL series are equipped at both front sides of the slider unit with grease nipples, to guarantee the best possible access. This means that per lubrication interval, the amounts of the lubricant indicated in Chapter 4.6 may be introduced only on one front side of the axis in the appropriate grease nipple. For Linear Axis with screw drive the lubrication points (Figure 4.5) are marked with "F" for the linear or track roller guide on this side and with "S" for the screw drive and the linear or track roller guide on the other side. The lubrication points for Linear Axis with toothed belt drive have no marking. As grease nipples are cup head grease nipples mounted.

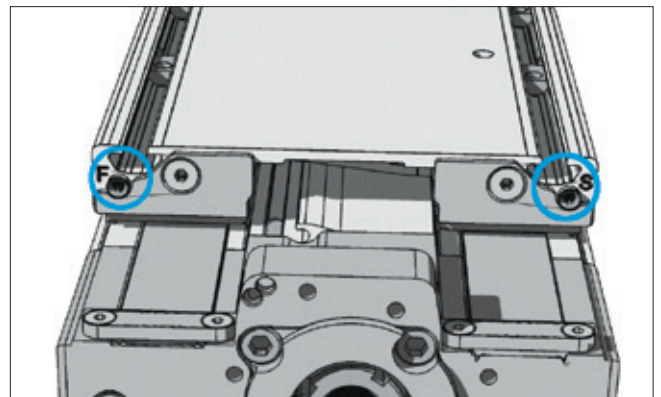


Figure 4.5 — Lubrication points AXDL

### AXBG Series

Linear Axis of the series AXBG have per carriage one grease nipple (Figure 4.6). By this grease nipple, the guiding system is supplied with lubricant. For lubrication of the ball screw with the lubricant is applied directly to the ball screw. The amounts of the lubricant are specified in Chapter 4.6. For the versions with one carriage, the grease nipple is mounted as standard on the floating bearing side, but can also be exchanged on the fixed bearing side. For versions with two carriages the grease nipples are arranged respectively on the bearing side. Depending on the size, ball type or hydraulic type grease nipple can be mounted.



Figure 4.6 — Lubrication point AXBG



### AXLT Series

The Linear Axis of the AXLT series have separate lubrication points for each carriage and for the screw drive. These are arranged on both sides of the slider unit (Figure 4.7). The lubrication points are marked with "F" for the linear guide and "S" for the screw drive. Per lubrication interval the amounts of the lubricant indicated in Chapter 4.6 have to be introduced in each of the four carriages and in the screw drive individually.

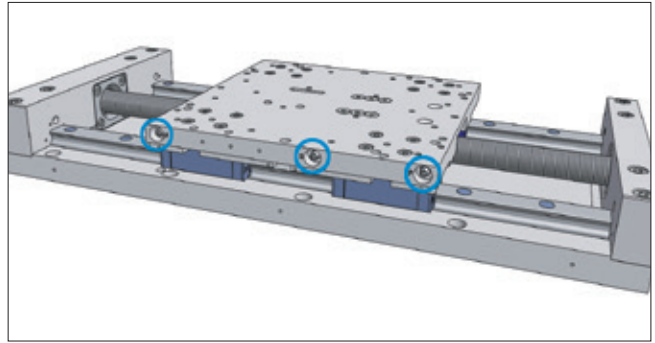


Figure 4.7 — Lubrication points AXLT

### AXS Series (Lifting and Gantry Axis)

For Lifting and Gantry Axis of the series AXS the amounts of the lubricant per lubrication interval indicated in Chapter 4.6 and have to be indicated in each of the four carriages (Figure 4.8). Linear Axis with rack and pinion drive are equipped with automatic lubricators for the toothed rack, which must be activated during start-up. In multi-axis systems, the lubrication points of the lifting and gantry axis can be centrally placed in an easily accessible location (Figure 4.9).

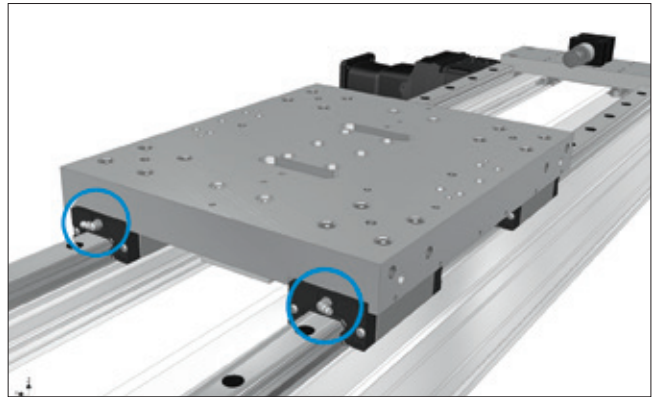


Figure 4.8 — Lubrication points for AXS Lifting and Gantry axis

### AXS Series (Telescopic axis)

For Telescopic Axis of the AXS series (Figure 4.9) the different guiding levels must be considered separately. In the first guiding level, the amounts of lubricant specified in Chapter 4.6 are per lubrication interval indicated individually to each of the four carriages. In the second guiding level the amounts of lubricant specified in the maintenance manual are to be indicated only on one side of the table into the two existing lubrication points. An exception is the AXS280T, where all four carriages in the second guiding level have to be relubricated individually. The rack drive is equipped with an automatic lubricator, which must be activated during start-up.

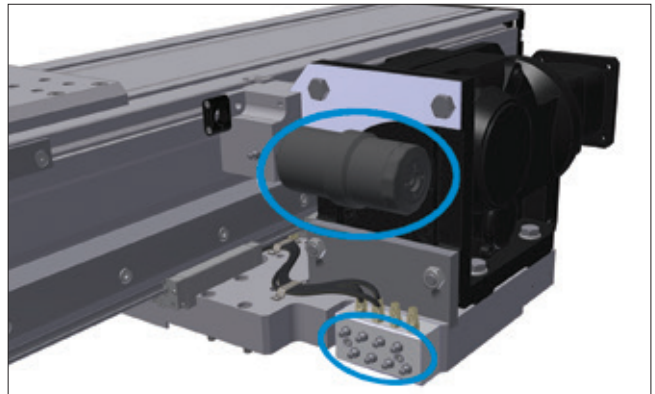


Figure 4.9 — Lubrication points and automatic lubricator for AXS Teleskopik axis

### AXLM Series

The Linear Axis of the AXLM series have separate lubrication points for each carriage. These are arranged on front sides or lateral of the end plate from the carriages (Figure 4.10). Per lubrication interval the amounts of the lubricant indicated in Chapter 4.6 have to be introduced in each of the carriages individually.

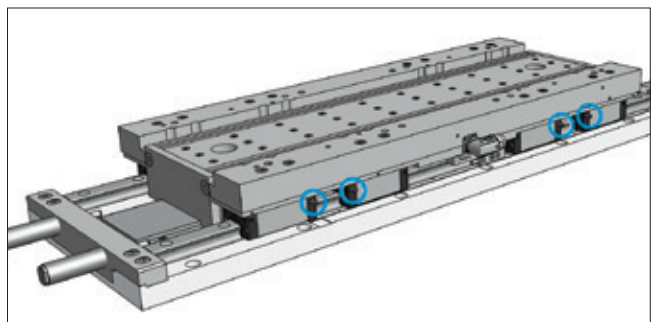


Figure 4.10 — Lubrication points AXLM

## 4.6 Amounts of lubricant

Linear guides, track roller guides, ball screws and trapezoidal screws require different lubricants (Chapter 4.3) and amounts of lubricant.

The following tables contain the information to the corresponding amounts of lubricant for re-lubrication with the standard lubricant for the respective guiding and drive elements.

The amounts of the lubricant for for the re-lubrication of Linear Axis with Linear guides are summarized in Table 4.3.

### Guiding system of the Linear Axis from the series AXC, AXF, AXDL, AXLT, AXLM and AXS with linear guides (Guiding system A, B, C, D, E, G, R, S, T and U)

Table 4.3 – Lubrication amount of the linear guides (Lubrication points without marking or with marking „F“)

Type		Lubrication amount per lubrication point [cm <sup>3</sup> ]				
		A	B	C	D, R, S, T, U	E, G
<b>AXC</b>						
AXC40			0,05			
AXC60			0,6			
AXC80		0,6	0,8			
AXC100			1,2		0,8	
AXC120			3,2	3,6		
<b>AXF</b>						
AXF100			1,2		0,8	
<b>AXDL</b>						
AXDL110					0,2	0,6
AXDL160					0,8	
AXDL240					2,4	2,8
<b>AXLT</b>						
AXLT155					0,3	0,3
AXLT225					0,4	0,4
AXLT325					1,6	1,6
AXLT455					2,0	
<b>AXLM</b>						
AXLM155					0,2	0,3
AXLM225					0,4	0,5
AXLM325					1,6	1,8
<b>AXS (without Telescopic Axis)</b>						
AXS120			1,6	1,6		
AXS200					1,6	1,6
AXS230					1,6	1,6
AXS280					2,3	2,3
AXS300			2,8			
AXS460					2,3	2,3
AXS500					2,8	2,8
<b>AXS Telescopic axis</b>						
AXS110TA	Guiding level 1				0,3	
	Guiding level 2				0,4	
AXS120T_	Guiding level 1				1,2	
	Guiding level 2				3,2	
AXS200T_	Guiding level 1				0,4	
	Guiding level 2				1,6	
AXS240T_	Guiding level 1				1,6	1,8
	Guiding level 2				4,8	4,8
AXS280TH	Guiding level 1				2,3	
	Guiding level 2				6,4	
AXS280TV	Guiding level 1				1,8	
	Guiding level 2				4,8	

## Guiding system of the Linear Axis from the series AXC and AXDL with Track roller guides (Guiding system L and M)

For Linear Axis of the AXC series in tilted position, the lubrication amount increases by a factor specified in Table 4.4. In the overhead position, this factor is to be applied only for the first re-lubrication.

For Linear Axis of the AXDL series, the factor is only to be applied for the first re-lubrication in tilted and overhead position.

Table 4.4 — Lubrication amount of the track roller guides (Lubrication points without marking or with marking "F")

Type	Factor	Lubrication amount per lubrication point [cm <sup>3</sup> ]	
		L	M
<b>AXC</b>			
AXC40	3	0,4	0,4
AXC60	5	0,4	0,4
AXC80	2	2,0	2,0
AXC100	3	2,0	2,0
AXC120	3	2,0	2,0
<b>AXDL</b>			
AXDL110	3	1,0	1,0
AXDL160	4	1,5	1,5
AXDL240	5	2,8	2,8

## Guiding system of the Linear Axis from the series AXF with polymer track roller guide (Guiding system P)

The guiding system of this Linear Axis is maintenance free.

## Guiding system and ball screw drive of the Linear Axis from the series AXBG

For Linear Axis of the AXBG series, the lubrication of the guiding system is supplied via grease nipples. The lubrication is to be carried out on each carriage.

For re-lubrication of the ball screw drive the lubricant must be applied directly onto the screw drive over the entire length.

Table 4.5 — Lubrication amount of the Linear Axis AXBG

Type	Lubrication amount per lubrication point [cm <sup>3</sup> ]				Lubrication amount ball screw [cm <sup>3</sup> /100mm]
	A	B	C	D	
<b>AXBG</b>					
AXBG15	0,5	0,5			0,5
AXBG20	0,5	0,5			0,5
AXBG26	1,0	1,0			1,0
AXBG33	2,0	2,0	1,5	1,5	2,0
AXBG46	5,0	5,0	3,5	3,5	3,0
AXBG55	7,0	7,0			4,0

## Ball screws of the Linear Axis from the series **AXC, AXF, AXDL and AXLT** (Drive version SN and SV)

The necessary lubrication amount of the ball screw drives depends on diameter and pitch.

Table 4.6 — Lubrication amount of the ball screw drives (Lubrication points with the marking „S“)

Type	Lubrication amount per lubrication point [cm <sup>3</sup> ]							
	S_05	S_10	S_16	S_20	S_25	S_32	S_40	S_50
<b>AXC</b>								
AXC40	1,0	1,5						
AXC60	1,5	1,7	2,0					
AXC80	2,0			3,0				
AXC100	2,5	3,0			4,0			
AXC120	3,5	4,0		5,0		6,0		
<b>AXF</b>								
AXF100	2,5	3,0			4,0			
<b>AXDL</b>								
AXDL110	2,0	2,2	2,5					
AXDL160	5,0	6,0		6,0				6,5
AXDL240	6,5	7,0		8,0		9,0		
<b>AXLT</b>								
AXLT115	2,0			3,0				
AXLT225	2,5	3,0			4,0			
AXLT325	3,5	4,0		5,0		6,0		
AXLT455	4,0	5,0		6,0			14,0	

## Rack and pinion drive of the Linear Axis from the series **Baureihen AXS** (Drive version M, TH and TV)

The rack and pinion drive is optimally supplied with lubricant by an automatic lubricator in combination with a felt gear wheel. No additional maintenance is required.

## Sliding screws of the Linear Axis from the series **AXF** (Drive version GN)

The sliding screws of this Linear Axis are maintenance free.

## Trapezoidal screws of the Linear Axis from the series **AXC, AXF, AXDL and AXLT** (Drive version TN and TV)

Trapezoidal screws are open drive units without sealing elements which retain the lubricant in the system. The necessary lubrication amount of the trapezoidal screw drives depends on diameter and pitch.

Table 4.7 — Lubrication amount of the trapezoidal screw drives (Lubrication points with the marking „S“)

Type	Lubrication amount per lubrication point [cm <sup>3</sup> ]							
	T_03	T_04	T_05	T_06	T_07	T_08	T_10	T_12
<b>AXC</b>								
AXC40	2,0							
AXC60		2,5				2,5		
AXC80		3,0				3,0		
AXC100			4,0				4,0	
AXC120				5,5				5,5
<b>AXF</b>								
AXF100			4,0				4,0	
<b>AXDL</b>								
AXDL110		2,5				2,5		
AXDL160			4,0				4,0	
AXDL240				5,5				5,5
<b>AXLT</b>								
AXLT115		3,0				3,0		
AXLT225			4,0				4,0	
AXLT325				5,5				5,5
AXLT455					6,0			

## 4.7 Lubrication intervals

### Delivery condition

SNR Linear Axis have already an initial lubrication on delivery. After assembly, the Linear Axis should be lubricated by the in the operating manual described lubrication points with the indicated amounts. For an optimal grease distribution in the system, this process should take place in two to three steps with intermediate movement over a longer stroke.

When restarting a system after a prolonged shutdown, a relubrication with the double amount of lubricant which is specified in Chapter 4.6 is recommended.

When the lubricant is changed at any time during the operation of the system, the miscibility of the lubricants must be absolutely tested.

### Influence factors

The lubrication intervals are influenced by many factors (Chapter 4.2). The biggest influence usually has the load and the existing contamination. The information given here is only a guideline. The exact lubrication intervals can only be determined after testing under real operating conditions and assessment over a sufficiently long period for the specific application.

### Special application conditions

For special applications (for example, food industry) other lubricants can be required.

### Linear guides for the series AXC, AXF, AXDL, AXLT, AXLM and AXS

The lubrication intervals of the linear guides are shown in the diagram in Figure 4.11, depending on the contamination. For Linear Axis with inside placed guiding systems the lubrication intervals form one degree of pollution lower could be applied. In Table 4.8 the corresponding protection options are summarized for the different degrees of pollution.

Table 4.8 — Degrees of pollution for Linear axis

Degree of pollution	Application area	Possible protection option
Without pollution	- Clean rooms - Laboratories - very clean working areas	Cover strip
Low level of pollution	- Assembling areas with very low occurrence of dust and dirt	Without
Medium level of pollution	- Assembling areas with higher occurrence of dirt - Production halls	- Cover strip - Bellow - Cover plate
Strong pollution	- Production areas with massive exposure to dust, chips, cooling lubricant...	- Cover strip - Sealing air connection - Side seals - Felt wiper

As the lubricant manufacturers give no general guarantee for the service life time of their products, we recommend at low kilometers a regreasing interval of at least once a year.

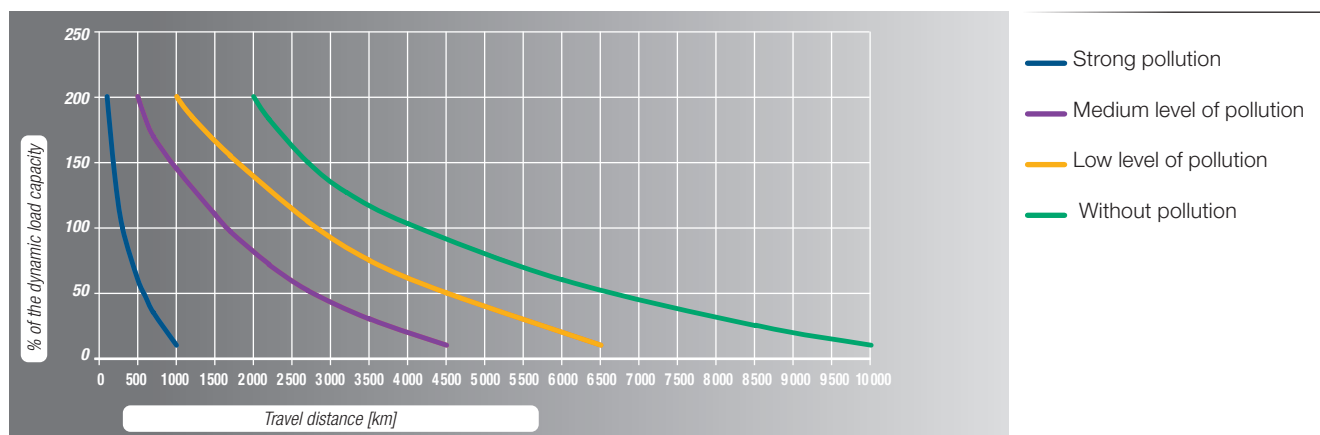


Figure 4.11 — Re-lubrication interval of linear guides

If necessary, longer lubrication intervals are possible, after consultation with the lubricant manufacturer for a defined application. For re-lubrication, mineral oil-based lithium soap greases KP2-K according to DIN 51825 and NLGI class 2 are to be used, otherwise the compatibility must be checked.

**Greases containing solid additives (for example, graphite or MoS<sub>2</sub>) shall not be used.**

## Track roller guides of the series AXC and AXDL

We recommend a re-lubrication interval of 5,000 km or once a year. An oil with a kinematic viscosity of 460 mm<sup>2</sup> / s according to DIN51562 at 40 ° C is to be used for re-lubrication.

## Ball screws of the series AXC, AXF, AXDL and AXLT

Ball screws have the advantage of long travel distances without being re-lubricated. This means that a re-lubrication system can be omitted in many cases.

To reach the longest possible re-lubrication interval, greases K2K according DIN 51825 and with higher loads KP2K with NLGI class 2 according DIN 51818 are preferred.

**Greases containing solid additives (for example, graphite or MoS<sub>2</sub>) shall not be used.**

However, since the lubricant manufacturers give no general guarantee for the service life time of their products, we recommend a re-greasing interval depending on the screw pitch even shown in Table 4.9 or annually.

The recommendations are applicable under the following conditions:

- Load ≤ 0,2 C
- Minimum number of revolutions 100 min-1
- Permanent temperature on the nut of the ball screw up to 60°C
- Maximum temperature on the nut of the ball screw 80°C

Table 4.9 — Re-greasing intervals of ball screws

Pitch [mm]	5	10	16	20	25	32	40	50
Re-greasing interval [km]	250	500	800	1000	1250	1600	2000	2000

## Trapezoidal screws of the series AXC, AXF, AXDL and AXLT

For trapezoidal screws, we recommend re-lubrication intervals of 10... 20 km. For the re-lubrication are mineral oil-based lithium soap greases KP2-K according to DIN 51825 and NLGI class. 2 to use.

**Greases containing solid additives (for example, graphite or MoS<sub>2</sub>) can be used for trapezoidal screws.**

## Toothed rack of the series AXS

The rack and pinion drive is optimally supplied with lubricant by an automatic lubricator DRIVE BOOSTER 120 in combination with a felt rack-wheel. The system is filled with the grease SNR LUB HEAVY DUTY. On delivery the emptying time of 12 months is settled. Only if the specified kilometerage of Table 4.10 of one year is exceeded, an emptying time of 6 months is to set. After this time, the lubricant tank and the battery must be replaced.

In special circumstances the equipping of the Linear Axis with greasing systems integrated in the machine control, different lubricants or lubricant tank volumes are possible. In these cases, the lubricant tank is according to a sample or to the serial number and the battery set (not applicable for externally driven systems) to specify.

For the determination of maintenance intervals, please contact our NTN-SNR application engineers.

Table 4.10 — Re-greasing intervals for toothed racks

Type	Guiding system	Module	km / 100cm <sup>3</sup>
AXS120TH	D	2	80 000
AXS120TV	D	2	80 000
AXS120M_	B, C	2	40 000
AXS200ME	D, E, G	3	32 000
AXS200MP	D, R	2	40 000
AXS200TH	D	2	80 000
AXS200TV	D	in preparation	
AXS230MB	D, E, G	4	24 000
AXS240TH	D, E	3	64 000
AXS280MB	D	5	24 000
AXS280MP	D, R, S, T, U	2	40 000
AXS280TH	D	3	64 000
AXS280TV	D, E, G, H	4	48 000
AXS300MP	B	3	32 000
AXS460MP	R, S, T	3	32 000
AXS500MP	R, T	3	32 000

## 4.8 Brush wiper replacement

Linear Axis of the series AXC can be equipped with brush wipers. To replace the brush wipers, remove the fastening screws **1**, replace the brush wipers **2** and fix them with the fastening screws **1** again (Figure 4.12).

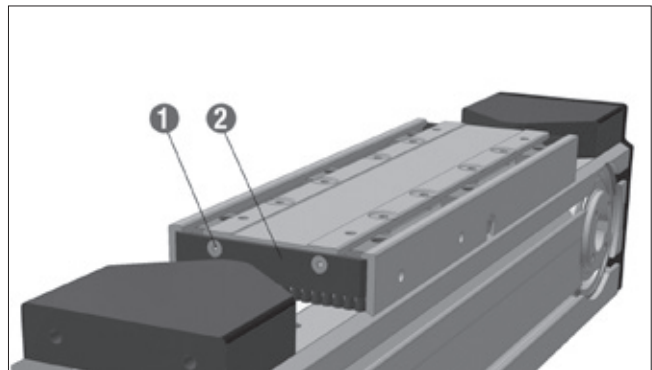


Figure 4.12 — Fastening of the brush wipers

The brush wipers are included in the wear part sets (Chapter 4.9.3, Table 4.6) of the respective Linear Axis.

## 4.9 Cover strip replacement

### 4.9.1 Cover strip replacement for Linear Axis of the series AXC

For the replacement of the cover strip for Linear Axis of the series AXC, the following steps in accordance to Figures 4.13 up to 4.17 must be observed:

1. Disassemble the screws **1** and remove the slider plate **2** (Figure 4.13) (omitted for AXC100).
2. For Linear Axis with screw drive (Figure 4.14), disassemble the screws of the cover strip clamping **3** and **5** and remove the clamping plates **4** and **6**. For Linear Axis with toothed belt drive (Figure 4.15), disassemble the fastening screws of the end position dampers **8** and remove the end position dampers **9**.
3. Remove the cover strip **7**.
4. Make sure that the guiding roller **10** in the table unit and the pressure roller **11** in the slider plate can be easily moved and are free from wear, if applicable and clean or replace them (Figure 4.16). In the case of wear-related replacement of the cover strip, we always recommend replacing the guiding and pressure rollers as well (wear part sets see Chapter 4.16).
5. Insert new cover strip. The cover strip has a trapezoidal cross-section. When fitting the new cover strip, make sure that the wide area is below (Figure 4.17). Under moderate pressure with the hand or a smooth, not sharp-edged tool, the cover strip snaps into the groove and flushes to the upper profile edge.
6. To fasten, tighten the cover slightly and follow the steps 1 and 2 in reverse order.
7. Check the cover strip tension (it may not grind on the inside of the slider plate) and cut off the overlaying cover strip. Finally assemble the brush wipers.

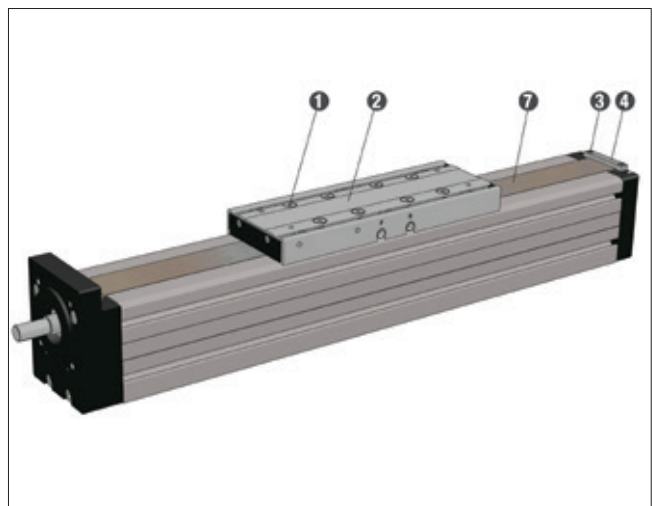


Figure 4.13 — Cover strip replacement

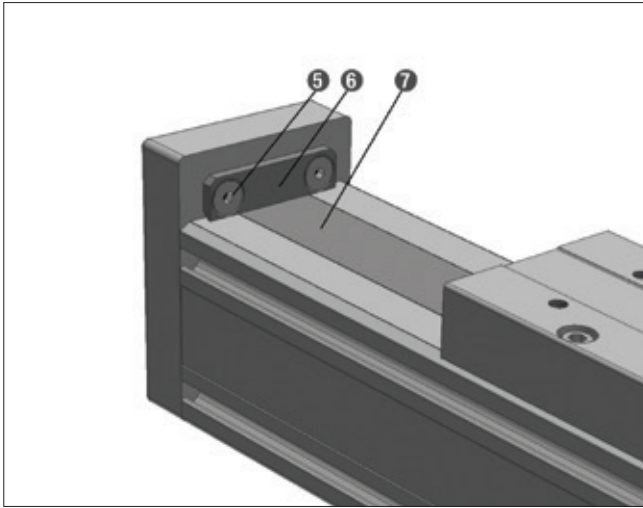


Figure 4.14 — Cover strip fastening for screw drive axis

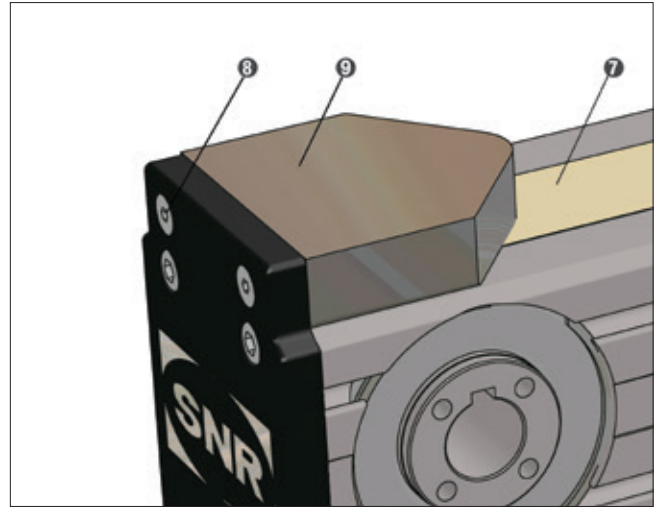


Figure 4.15 — Cover strip fastening for toothed belt axis

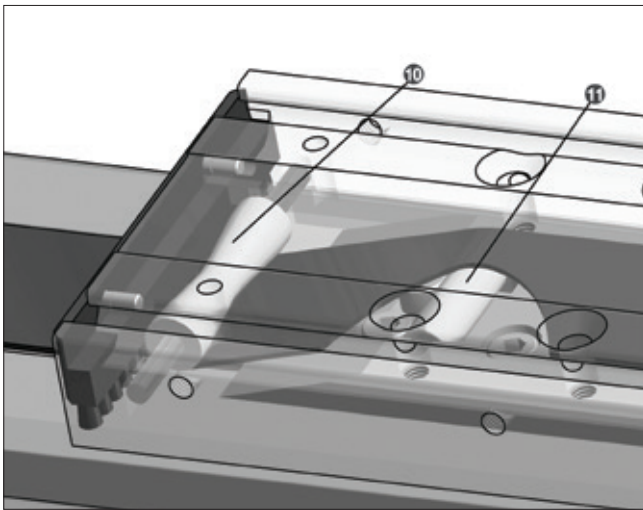


Figure 4.16 — Cover strip deflection

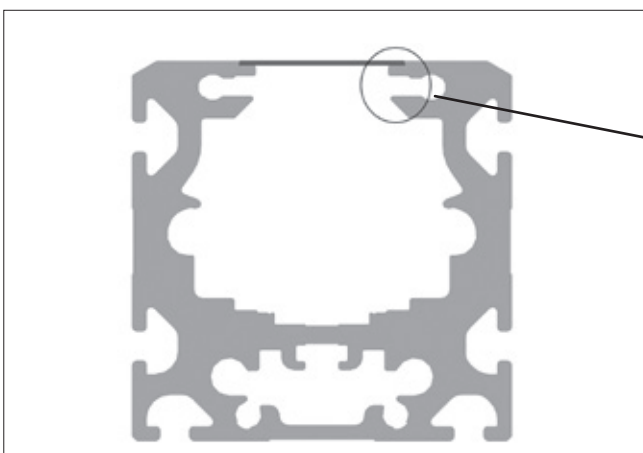


Figure 4.17 — Cover strip cross section

To perform these maintenance corresponding wear part sets (Capter 4.10 Table 4.11) can be ordered. The wear part sets contain the brush wipers including the fastening screws and the guiding and pressure rollers with the shafts.



## 4.9.2 Cover strip replacement for Linear Axis of the series AXDL

For the replacement of the cover strip for Linear Axis of the series AXDL, the following steps in accordance to Figure 4.18 must be observed:

1. Disassemble grease nipple **1**. Remove the disc **2** and the cover strip deflection **3**.
2. Disassemble the fastening screws **4** and remove the clamping plates **5**.
3. Pull the cover strip **6** out and replace it by a new one.
4. To fasten, tighten the cover slightly and follow the steps 1 and 2 in reverse order. Here the cover strip should not rub against the table. This can be checked by inspection holes in the base of the table grooves (closed with plastic caps).

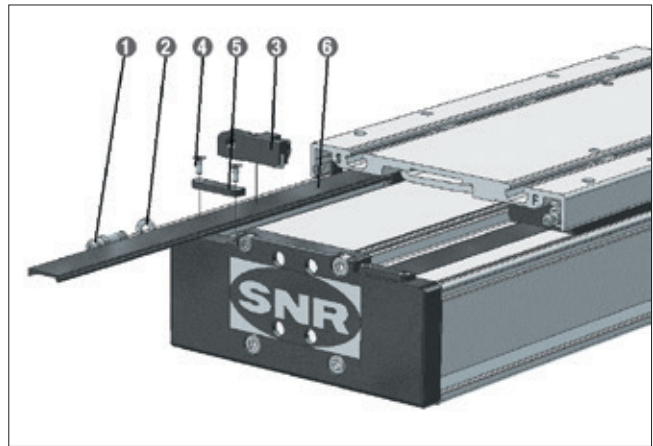


Figure 4.18 — Cover strip replacement

## 4.10 Wear part sets

For Linear Axis of the series AXC and AXDL are wear parts sets and sealing kits available. Table 4.11 summarizes the wear parts sets and the coverstrips including the ID numbers.

To achieve an optimal sealing effect, the cover strip for Linear Axis of the series AXC (except AXC100) is cut precisely to the respective profile. For an order, the serial number of the Linear Axis is required, to cut the exact width of the cover strip.

The length of the cover strip is specified in meters. To mount the cover strip ensure the ordered length should be about 200 to 300 mm longer than the Linear Axis.

The cover strips for Linear Axis of the series AXDL and AXC100 can be used universally. The order length of cover strip is rounded up to the next meter.

Table 4.11 — Wear part sets sealing kits and cover strips

Type	Configuration version	Type code Wear part set	ID - Number	Type code Cover strip	ID - Number
AXC40	A	AXC-SP-40-A-WPS	401040	AX-SP-CST-40-[width]-[length] <sup>1</sup>	depending on the width and length
	Q, U	AXC-SP-40-Q/U-WPS	461385		
	R	AXC-SP-40-R-WPS	461386		
AXC60	A	AXC-SP-60-A-WPS	258120	AX-SP-CST-60-[width]-[length] <sup>1</sup>	depending on the width and length
	D	AXC-SP-60-D-WPS	461387		
	Q, U	AXC-SP-60-Q/U-WPS	461388		
	R	AXC-SP-60-R-WPS	461389		
AXC80	A	AXC-SP-80-A-WPS	254152	AX-SP-CST-80-[width]-[length] <sup>1</sup>	depending on the width and length
	K	AXC-SP-80-K-WPS	461390		
	Q, U	AXC-SP-80-Q/U-WPS	461391		
AXC100	A	AXC-SP-100-A-WPS	461377	AX-SP-CST-100-65-[length]	depending on the length
	D	AXC-SP-100-D-WPS	461379		
	Q, U	AXC-SP-100-Q/U-WPS	461381	on request	
	B, M	AXC-SP-100-B/M-WPS	461378		
AXF100	A	AXF-SP-100-A-WPS	461392	AX-SP-CST-100-65-[length]	depending on the length
	Q	AXF-SP-100-Q-WPS	461394		
	R, S	AXF-SP-100-R/S-WPS	461396		
	U	AXF-SP-100-U-WPS	461398	on request	
	B, M	AXF-SP-100-B/M-WPS	461393		
AXC120	A	AXC-SP-120-A-WPS	257256	AX-SP-CST-120-[width]-[length] <sup>1</sup>	depending on the width and length
	K	AXC-SP-120-K-WPS	461382		
	Q, U	AXC-SP-120-Q/U-WPS	461383		
	R	AXC-SP-120-R-WPS	461384		
AXDL110	all	AX-SP-110-A-WPS	268344	AX-SP-CST-U-19-[length]	depending on the length
	D, K	AX-SP-110-KIT-S21 <sup>5</sup>	203547		
AXDL160	all	AX-SP-160-A-WPS	268345		
	D, K	AX-SP-160-KIT-S240 <sup>2</sup>	202918		
		AX-SP-160-KIT-S280 <sup>3</sup>	203039		
AXDL240	all	AX-SP-240-A-WPS	268346		
	D, K	AX-SP-240-KIT-S330 <sup>4</sup>	203255		
		AX-SP-240-KIT-S500 <sup>5</sup>	288999		

<sup>1</sup> Indication of the serial number of the Linear Axis for the cutting of the cover strip necessary

<sup>2</sup> Table length 240 mm <sup>3</sup> Table length 280 mm

<sup>4</sup> Table length 330 mm <sup>5</sup> Table length 500 mm

## 5. SNR Linear Axis

### 5.1 General view

#### 5.1.1 Series

NTN-SNR offers one of the widest product ranges on Linear Axis on the market. The Linear Axis combine user-oriented product development and high quality standards.

The user, through arising individual configurability, obtains optimal solutions for requirements from all sectors of industry. Following are the most significant features of the series are summarized.

#### Compact Axis AXC

- Universal, as single axis or in combination with other axis usable Compact Axis
- Various combinations possible within AXC - series as well as with the other series by standard connecting elements
- Light and highly rigid aluminum profile as base material
- 5 standard sizes from 40 mm up to 120 mm profile wide
- Variable guiding system with linear guides or track roller guides
- Optimal length ratio stroke / total length
- 3 drive versions – toothed belt drive, screw drive or toothed belt /  $\Omega$  - drive (Figures 5.1 up to 5.3)
- With the pulley screw coupling for frictional connected torque transmission for the highest dynamic (permanent clearance and wear-free connection)
- Optimal protection of the inside placed guiding and drive elements by the optional use of cover strips and brush wipers
- Service friendly design with access to all lubrication points on both sides of the sliders

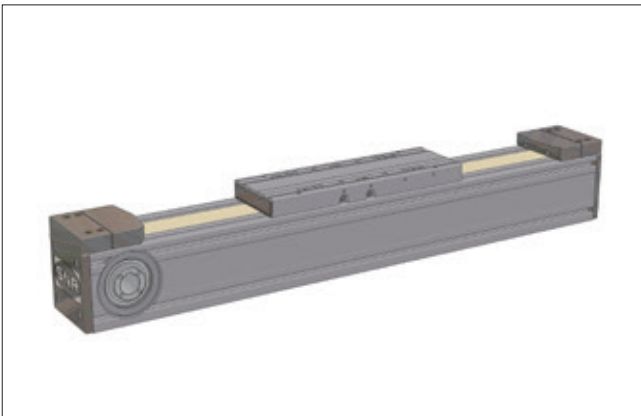


Figure 5.1 — AXC with toothed belt drive

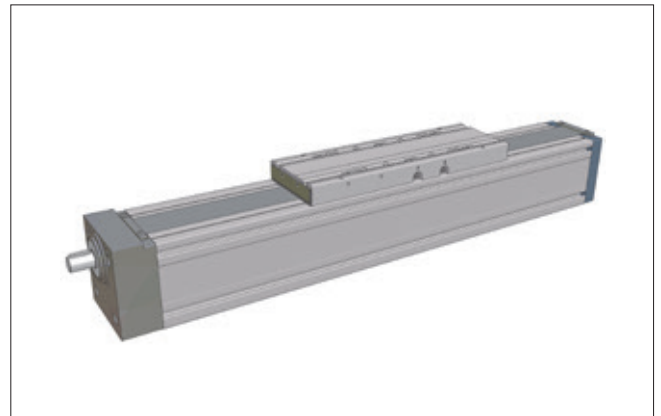


Figure 5.2 — AXC with screw drive

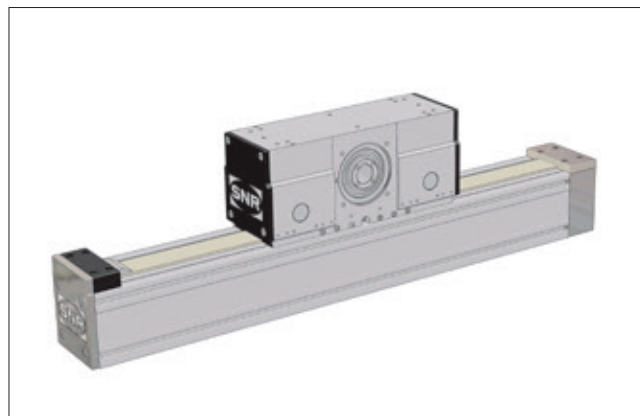


Figure 5.3 — AXC with toothed belt /  $\Omega$  - drive

## Compact Axis AXF

- Specially optimized design for applications in the food, pharmaceutical and semiconductor industry
- Smooth surfaces for optimal cleaning and prevent deposits and residues on profile
- Light and highly rigid aluminum profile as base material
- 1 Standard size with 104 mm profile wide
- Variable guiding system with linear guides or track roller guides
- 2 drive versions – toothed belt drive or screw drive (Figures 5.4 and 5.5)
- With the pulley screw coupling for frictional connected torque transmission for the highest dynamic (permanent clearance and wear-free connection)
- Optimal protection of the inside placed guiding and drive elements by the optional use of plastic and stainless steel cover strips
- Service friendly design with access to all lubrication points on both sides of the sliders
- Maintenance-free version with polymer track roller guide and sliding screw drive for applications in wet areas

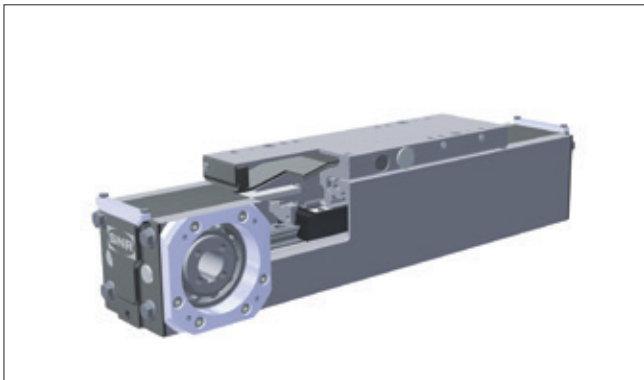


Figure 5.4 — AXF with toothed belt drive

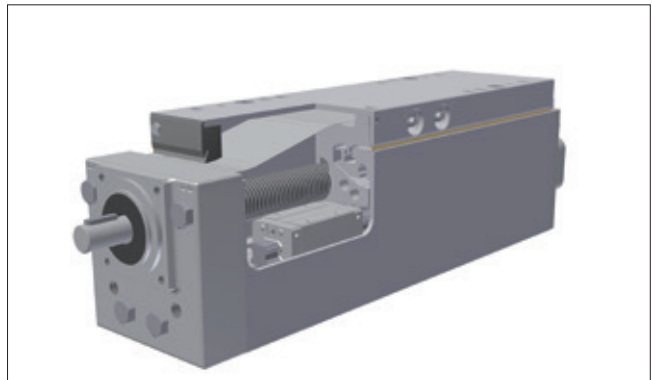


Figure 5.5 — AXF with screw drive

## Parallel Axis AXDL

- Parallel Axis designed for use as a stiff single axis
- Various combinations possible within AXDL - series as well as with the other series by standard connecting elements
- Light and highly rigid aluminum profile as base material
- 3 standard sizes from 110 mm up to 240 mm profile wide
- Variable guiding system with linear guides or track roller guides
- 3 drive versions – toothed belt drive, screw drive or toothed belt /  $\Omega$  - drive (Figures 5.6 up to 5.8)
- Optimal stroke length – ratio
- With the pulley screw coupling for frictional connected torque transmission for the highest dynamic (permanent clearance and wear-free connection)
- Optimal protection of the inside placed guiding and drive elements, use of cover strips and optional use of side seals and felt wiper with inner seal
- Service friendly design with access to all lubrication points on both front sides of the sliders

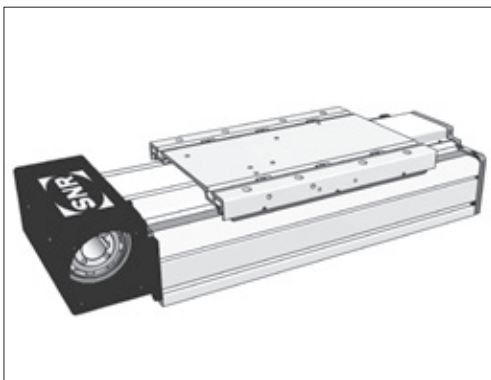


Figure 5.6 — AXDL with toothed belt drive

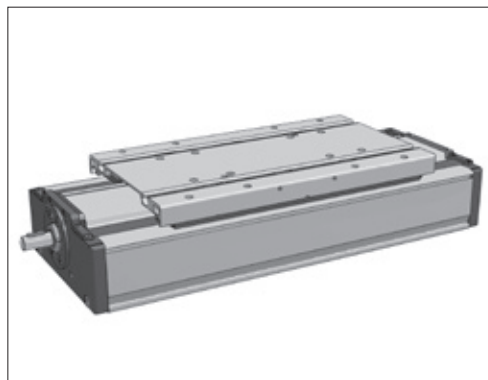


Figure 5.7 — AXDL with screw drive



Figure 5.8 — AXDL with toothed belt /  $\Omega$  - drive

## Linear Table Axis AXLT

- Linear Tables for high loads in moment direction
- Various combinations possible within AXLT - series by standard connecting elements
- Aluminum profile with profile grooves or aluminum plates as base material
- Steel made as special version possible
- 4 standard sizes from 155 mm up to 455 mm table wide
- 2 parallel linear guides as guiding system
- Ball screw or trapezoidal screw as drive element
- Optional inside placed inductive switches (Figure 5.9)
- Optimal protection of the inside placed guiding and drive elements as well as the inductive switches by the optional use of bellows (Figure 5.10)
- Service friendly design with access to all lubrication points on the side of the tables

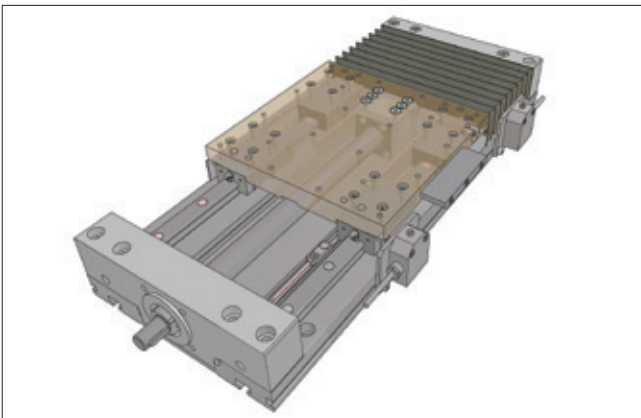


Figure 5.9 — AXLT with switches

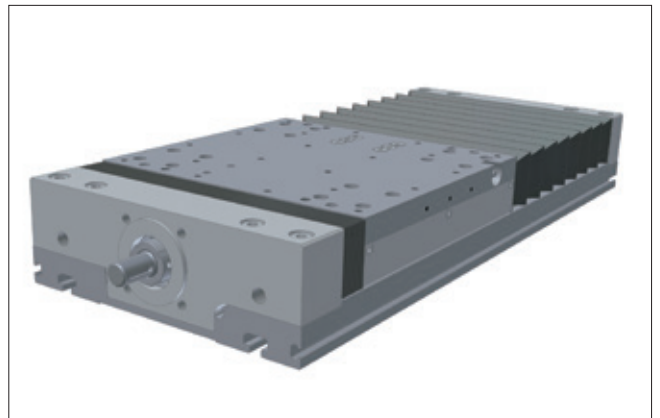


Figure 5.10 — AXLT with bellows

## Precision Axis AXBG

- Precision Axis for applications with high demands on positioning accuracy and repeatability
- U - shaped steel profiles as base material with internal carriages (Figure 5.11)
- 6 standard sizes from 15 mm up to 55 mm system height
- 2 precision classes
- Ball screw as drive element
- Optimal protection of the inside placed guiding and drive elements by the optional use of cover plates (Figure 5.12)

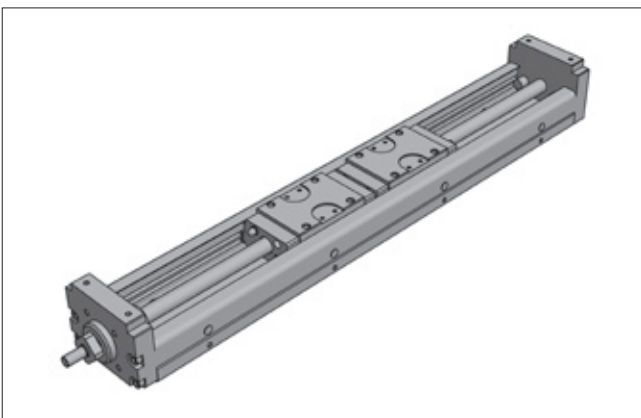


Figure 5.11 — AXBG – profile with carriages

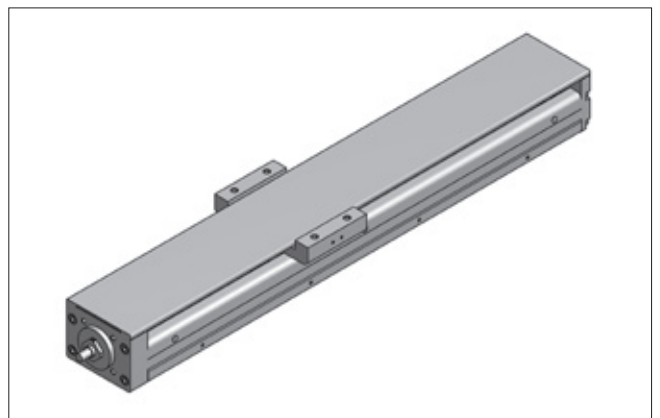


Figure 5.12 — AXBG with cover plate

## Linear Motor Axis AXLM

- Linear Motor Axis for high loads in moment direction as well the highest demands on positioning accuracy, repeatability and dynamics
- Aluminum profile with profile grooves or aluminum plates as base material
- 3 standard sizes from 155 mm up to 325 mm table wide
- 2 parallel linear guides as guiding system
- Linear motors with different feeding forces selectable
- Linear motors optional with air or water cooling
- Optimal protection of the inside placed guiding and drive elements by the optional use of bellows or cover plates (Figures 5.13 and 5.14)

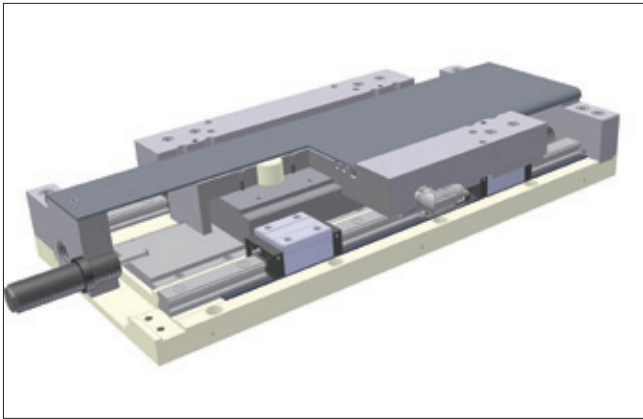


Figure 5.13 — AXLM with cover plate

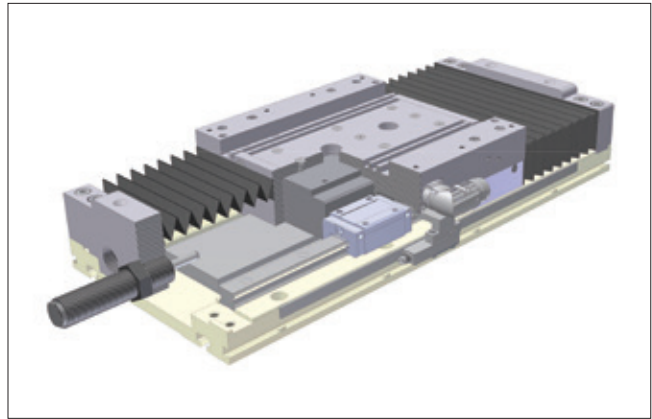


Figure 5.14 — AXLM with bellows

## System Program Axis AXS

- System Program Axis for highest loads
- Variants as telescopic, lifting, gantry and beam axis
- High rigid aluminum or steel profile as base material
- Standard sizes up to 500 mm profile wide
- 2 parallel linear guides as guiding system
- Toothed belt or rack and pinion as drive element
- Telescopic Axis for horizontal and vertical use (Figures 5.15 up to 5.17)
- Lifting Axis for moving to loads in excess of 1000 kg (Figure 5.18)
- Gantry Axis in one-piece length from 12 m (Figures 5.19)
- Beam Axis for parallel use (Figure 5.20)

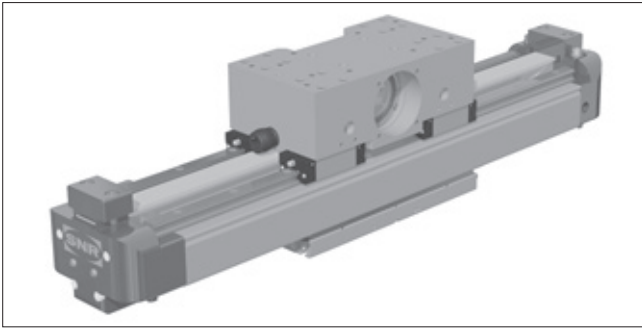


Figure 5.15 — AXS Telescopic Axis, horizontal with toothed belt /  $\Omega$  - drive

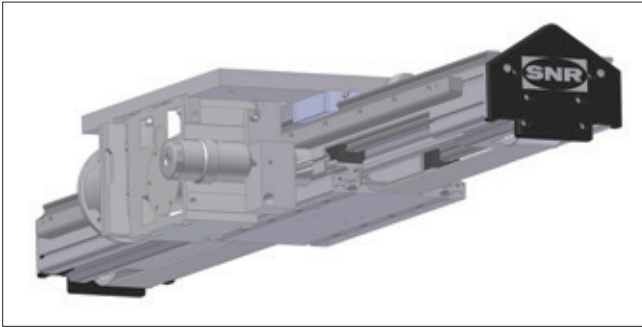


Figure 5.16 — AXS Telescopic Axis, horizontal with rack and pinion drive / toothed belt drive

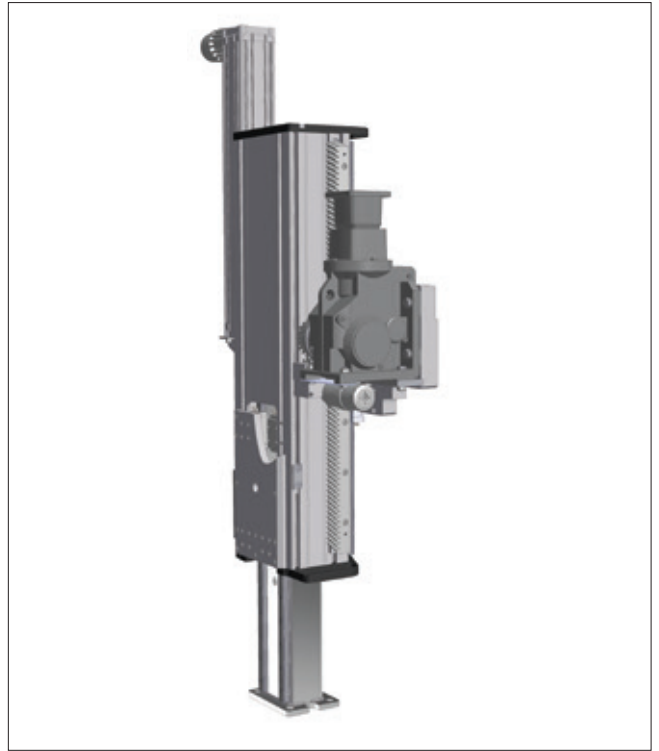


Figure 5.17 — AXS Telescopic Axis, vertical with rack and pinion drive / toothed belt drive

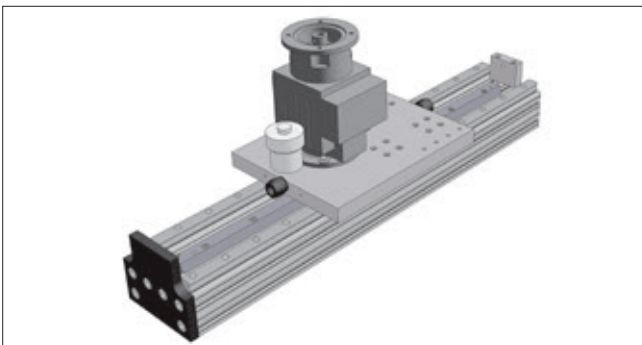


Figure 5.18 — AXS Lifting Axis with rack and pinion drive

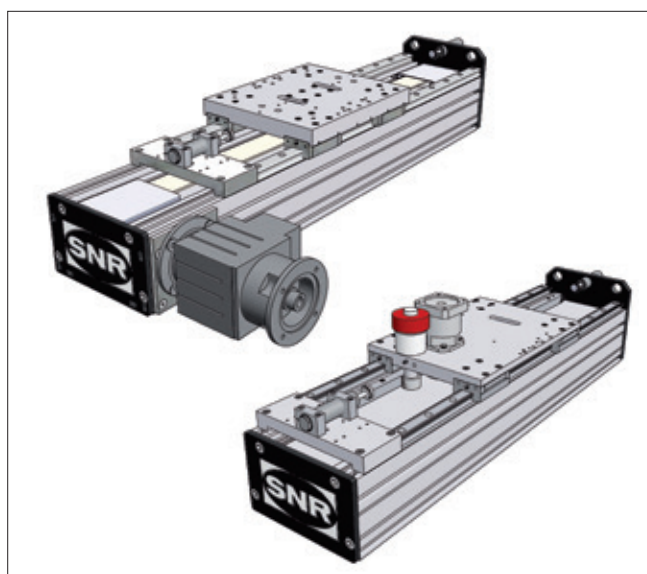
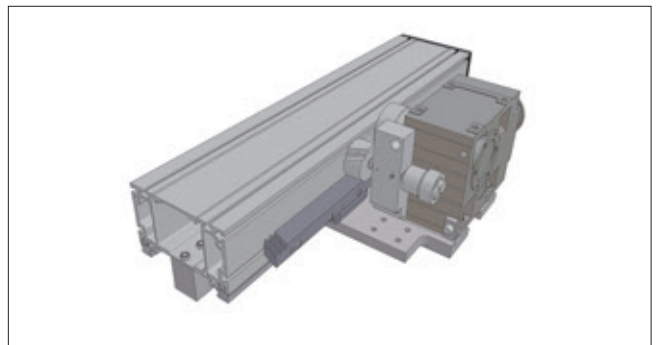


Figure 5.19 — AXS Gantry Axis with toothed belt drive or rack and pinion drive

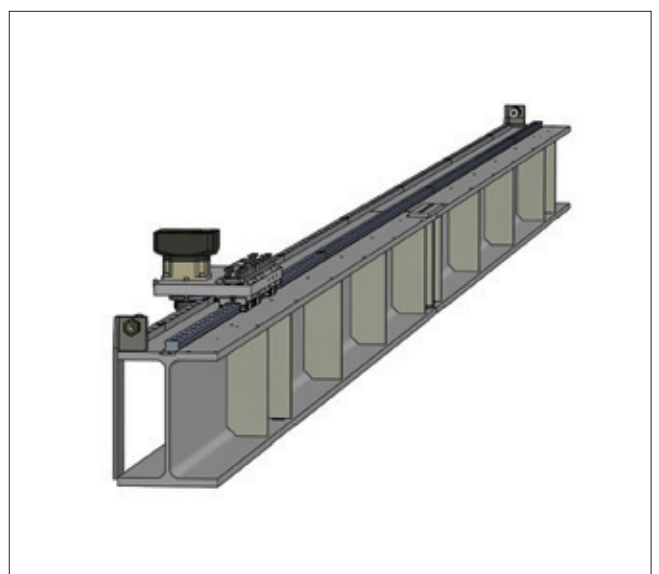


Figure 5.20 — AXS Beam Axis with rack and pinion drive for parallel use

## 5.1.2 Main parameters

### Linear Axis with toothed belt drive

Table 5.1 — Main parameters Linear Axis toothed belt drive

Type	Axis cross section [mm]	Feed constant [mm/rev.]	Allowable dynamic operating load [N]	Guiding system	Maximum velocity [m/s]	Maximum total length [m]	Maximum dynamic load capacity [N]		Maximum dynamic load moments [Nm]		
							F <sub>y</sub>	F <sub>z</sub>	M <sub>x</sub>	M <sub>y</sub>	M <sub>z</sub>
AXC40Z	40 x 53	75	210	L	15	6,0	310	170	2,4	3,9	7,0
AXC60Z	60 x 80	150	560	B	5	8,0	2 800	2 800	19	100	100
				L	15	6,0	840	500	10	27	41
AXC80Z	80 x 100	200	870	B	5	8,0	4 650	4 650	43	235	235
				C	5	8,0	4 650	4 650	43	280	280
AXC100Z	100 x 125	264	2 200	L	15	8,0	3 400	2 300	60	110	170
				B	5	6,0	5 000	5 000	52	275	275
AXC120Z	120 x 150	320	2 500	C	5	6,0	5 000	5 000	52	630	630
				L	15	6,0	7 000	7 000	200	325	325
AXF100Z	104 x 125	264	1 800	L	15	6,0	3 400	2 300	87	120	180
				B	5	8,0	9 650	9 650	120	875	875
AXDL110Z	110 x 65	170	980	C	5	8,0	10 500	10 500	140	2 150	2 150
				L	15	8,0	5 100	3 400	110	260	390
AXDL160Z	160 x 83	216	1 830	M	15	8,0	6 800	4 500	150	530	790
				B	5	6,0	5 000	5 000	52	275	275
AXDL240Z	240 x 120	264	5 000	C	5	6,0	5 000	5 000	52	630	630
				D	5	6,0	7 000	7 000	200	325	325
AXS200Y <sup>1</sup>	200 x 120	200	2 200	P	7	6,0	120	240	9	13	6,5
				D	5	6,1	2 300	2 300	80	110	110
AXS280Y <sup>1</sup>	280 x 340	264	5 000	D	5	6,1	9 000	9 000	475	475	475
				L	15	6,1	1 200	1 200	62	84	84
AXS280Z <sup>1</sup>	280 x 250	480	4 000	D	5	6,35	12 500	12 500	1 050	1 200	1 200
				E	5	6,35	12 500	12 500	1 050	2 250	2 250
AXDL240Z	240 x 120	264	5 000	L	15	6,35	2 600	2 600	220	210	210
				D	5,0	8,0	19 000	19 000	1 450	1 700	1 700
AXS200Y <sup>1</sup>	200 x 120	200	2 200	R	5,0	8,0	19 000	19 000	1 450	2 100	2 100
				D	5	10,0	26 000	26 000	3 200	3 700	3 700
AXS280Y <sup>1</sup>	280 x 340	264	5 000	E	5	10,0	26 000	26 000	3 200	6 250	6 250
				R	5	10,0	26 000	26 000	3 200	3 700	3 700
AXS280Z <sup>1</sup>	280 x 250	480	4 000	S	5	10,0	26 000	26 000	3 200	4 000	4 000
				T	5	10,0	26 000	26 000	3 200	4 800	4 800
AXS280Z <sup>1</sup>	280 x 250	480	4 000	U	5	10,0	26 000	26 000	3 200	4 000	4 000
				D	5	10,0	26 000	26 000	3 200	3 700	3 700
AXS280Z <sup>1</sup>	280 x 250	480	4 000	E	5	10,0	26 000	26 000	3 200	6 250	6 250

<sup>1</sup> Linear Axis are contained additionally in Table 5.5 "Gantry Axis"

### Linear Axis with toothed belt / $\Omega$ - drive

Table 5.2 — Main parameters Linear Axis toothed belt-  $\Omega$  - drive

Type	Axis profile cross section [mm]	Feed constant [mm/rev.]	Allowable dynamic operating load [N]	Guiding system	Maximum velocity [m/s]	Maximum total length [m]	Maximum dynamic load capacity [N]		Maximum dynamic load moments [Nm]		
							F <sub>y</sub>	F <sub>z</sub>	M <sub>x</sub>	M <sub>y</sub>	M <sub>z</sub>
AXC40A	40 x 55,8	75	210	B	5	6	500	500	2,4	20	20
AXC60A	60 x 72,7	150	560	B	5	8	2 800	2 800	19	100	100
				L	15	6	840	500	10	27	41
AXC80A	80 x 89,3	200	870	B	5	8	4 650	4 650	235	235	205
				L	15	8	3 400	2 300	60	110	170
AXC120A	120 x 133,5	320	2 500	B	5	8	9 500	9 500	120	925	925
				L	15	8	5 100	3 400	110	260	390
AXDL160A	196 x 103	210	1 960	D	5	8	9 000	9 000	475	475	475
				L	15	8	1 200	1 200	62	84	84
AXDL240A	280 x 145	272	5 000	D	5	8	12 500	12 500	1 050	1 200	1 200
				L	15	8	2 600	2 600	220	210	210

## Linear Axis with screw drive

Table 5.3 — Main parameters Linear Axis screw drive

Type	Axis cross section [mm]	Ball screw drive		Trapezoidal screw drive		Sliding screw drive		Guiding system	Maximum dynamic load capacity [N]		Maximum dynamic load moments [Nm]		
		Pitch [mm]	Maximum total length [m]	Pitch [mm]	Maximum total length [m]	Pitch [mm]	Maximum total length [m]		F <sub>y</sub>	F <sub>z</sub>	M <sub>x</sub>	M <sub>y</sub>	M <sub>z</sub>
AXC40	40 x 53	5 / 10	2,5	3	3,0			B	675	675	3,2	22	22
AXC60	60 x 80	5 / 10 / 16	3,5	4 / 8	3,0			B	1 400	1 450	10	70	70
								C	3 550	3 550	24	220	220
								L	840	500	10	27	41
AXC80	80 x 100	5 / 20 / 50	5,5	4 / 8	6,0			A	4 500	4 500	42	270	270
								B	5 850	5 850	55	500	500
								F	--	--	--	--	--
AXC100	104 x 125	5 / 10 / 25 / 50	5,5	5 / 10	6,0			D	5 850	5 850	170	600	600
AXC120	120 x 150	5 / 10 / 20 / 32	5,5	6 / 12	6,0			B	12 000	12 000	160	1 150	1 150
AXF100	104 x 125	5 / 10 / 25 / 50	5,5	5	6,0	20 / 60 / 90	3,0	D	5 850	5 850	170	600	600
								P	120	240	9	13	6,5
AXDL110	110 x 65	5 / 10 / 16	3,5	4 / 8	3,0			D	2 900	2 900	100	140	140
AXDL160	160 x 83	5 / 10 / 25 / 50	5,5	5 / 10	3,5			E	7 100	7 100	250	470	470
								D	11 500	11 500	575	800	800
AXDL240	240 x 120	5 / 10 / 20 / 32	5,5	6 / 12	6,0			D	16 000	16 000	1 350	1 500	1 500
								E	18 000	18 000	1 500	3 100	3 100
AXLT155	155 x 60	5 / 20	3,5	4 / 8	3,5			D	7 000	7 000	375	300	300
								E	7 000	7 000	375	425	425
AXLT225	225 x 75	5 / 10 / 25 / 50	3,5	5 / 10	3,5			D	11 500	11 500	925	800	800
								E	11 500	11 500	925	1 050	1 050
AXLT325	325 x 90	5 / 10 / 20 / 32	3,2	6 / 12	3,2			D	24 000	24 000	2 750	2 450	2 450
								E	24 000	24 000	2 750	3 400	3 400
AXLT455	455 x 120	5 / 10 / 20 / 40	3,2	7	3,2			D	33 000	33 000	5 000	4 700	4 700

## Lifting Axis with rack and pinion drive

Table 5.4 — Main parameters Lifting Axis rack and pinion drive

Type	Axis cross section [mm]	Feed constant [mm/rev.]	Allowable dynamic operating load [N]	Guiding system	Maximum velocity [m/s]	Maximum total length [m]	Maximum dynamic load capacity [N]		Maximum dynamic load moments [Nm]		
							F <sub>y</sub>	F <sub>z</sub>	M <sub>x</sub>	M <sub>y</sub>	M <sub>z</sub>
AXS200ME	200 x 100	200	4 400	D	3,4	6,0	14 700	14 700	1 100	1 400	1 400
				E	3,4	6,0	14 700	14 700	1 100	2 750	2 750
				G	3,4	6,0	14 700	14 700	1 100	1 400	1 400
AXS230MB	230 x 160	320	10 750	D	2,5	10,0	19 000	19 000	1 400	2 150	2 150
				E	2,5	10,0	19 000	19 000	1 400	4 000	4 000
				G	2,5	10,0	19 000	19 000	1 400	3 200	3 200
AXS280MB	280 x 170	400	16 240	D	3,3	10,0	29 000	29 000	3 500	5 250	5 250

## Gantry Axis with toothed belt and rack and pinion drive

Table 5.5 — Main parameters Gantry Axis toothed belt and rack and pinion drive

Type	Axis cross section [mm]	Feed constant [mm/rev.]	Allowable dynamic operating load [N]	Guiding system	Maximum velocity [m/s]	Maximum total length [m]	Maximum dynamic load capacity [N]		Maximum dynamic load moments [Nm]		
							F <sub>y</sub>	F <sub>z</sub>	M <sub>x</sub>	M <sub>y</sub>	M <sub>z</sub>
AXS200MP	200 x 120	166,67	3 500	D	5,0	8,0	19 000	19 000	1 400	1 900	1 900
				R	5,0	8,0	19 000	19 000	1 400	2 100	2 100
AXS200Y <sup>1</sup>	200 x 120	200	2 200	D	5,0	8,0	19 000	19 000	1 450	1 700	1 700
				R	5,0	8,0	19 000	19 000	1 450	2 100	2 100
AXS280P	280 x 170	200	3 190	D	3,3	10,0	26 500	26 500	3 200	4 500	4 500
				R	3,3	10,0	26 500	26 500	3 200	5 900	5 900
				S	3,3	10,0	26 500	26 500	3 200	5 900	5 900
				T	3,3	10,0	26 500	26 500	3 200	5 900	5 900
				U	3,3	10,0	26 500	26 500	3 200	5 900	5 900
AXS280Y <sup>1</sup>	280 x 340	264	5 000	D	5,0	10,0	26 000	26 000	3 200	3 700	3 700
				E	5,0	10,0	26 000	26 000	3 200	6 250	6 250
				R	5,0	10,0	26 000	26 000	3 200	3 700	3 700
				S	5,0	10,0	26 000	26 000	3 200	4 000	4 000
				T	5,0	10,0	26 000	26 000	3 200	4 800	4 800
AXS280Z <sup>1</sup>	280 x 250	480	4 000	U	5,0	10,0	26 000	26 000	3 200	4 000	4 000
				D	5,0	10,0	26 000	26 000	3 200	3 700	3 700
				E	5,0	10,0	26 000	26 000	3 200	6 250	6 250
				R	5,0	10,0	26 000	26 000	3 200	3 700	3 700
				S	5,0	10,0	26 000	26 000	3 200	4 000	4 000
AXS460P	400 X 300	250	5 860	T	5,0	10,0	26 000	26 000	3 200	4 800	4 800
				R	5,0	10,0	29 000	29 000	5 500	7 500	7 500
				S	5,0	10,0	29 000	29 000	5 500	7 500	7 500
AXS500P	310 x 500	250	6 000	T	5,0	10,0	29 000	29 000	5 500	7 500	7 500
				R	5,0	12,0	50 500	50 500	10 000	12 000	12 000
				T	5,0	12,0	50 500	50 500	10 000	12 000	12 000

<sup>1</sup> Linear Axis are contained additionally in Table 5.1 "Linear Axis toothed belt drive"



## Beam Axis for parallel use with rack and pinion drive

Table 5.6 — Main parameters Beam Axis

Type	Axis cross section [mm]	Feed constant [mm/rev.]	Allowable dynamic operating load [N]	Guiding system	Maximum velocity [m/s]	Maximum total length [m]	Maximum dynamic load capacity [N]		Maximum dynamic load moments [Nm]		
							$F_y$	$F_z$	$M_x$	$M_y$	$M_z$
AXS120M_	120 x 200	200	3 700	B C	5,0 5,0	8,0 8,0	9 270 <sup>2</sup> 13 900 <sup>2</sup>	18 500 27 700	290 <sup>3</sup> 440 <sup>3</sup>	3 700 5 500	not applicable not applicable
AXS300MP	300 x 400	250	6 000	B	5,0	10,0	38 000 <sup>2</sup>	38 000	800 <sup>3</sup>	7 600	not applicable

<sup>1</sup> per section length

<sup>2</sup> For a complete system consisting of two Linear Axis

<sup>3</sup> Applies only to the moment resulting from the mass of the drive

Table 5.7 — Main parameters Telescopic Axis

Type	Level	Axis cross section (without gearbox) [mm]	Mounting position	Drive system	Feed constant [mm/rev.]	Allowable dynamic operating load [N]	Guiding system	Maximum velocity [m/s]	Maximum total length [m]	Maximum dynamic load capacity [N]		Maximum dynamic load moments [Nm]								
										$F_y$	$F_z$	$M_x$	$M_y$	$M_z$						
AXS110TA	Guiding level 1	110 x 103	horizontal	Toothed Belt	350	980	D	10	6,0	7 000	7 000	240	500	500						
	Guiding level 2														2 900	2 900	100	140	140	
AXS120TH	Guiding level 1	118 x 216	horizontal	Toothed Rack	280	2 880	D	10	3,0	16 000	16 000	650	2 650	2 650						
	Guiding level 2														12 000	12 000	155	1 100	1 100	
AXS120TV	Guiding level 1	120 x 296	vertical	Toothed Rack	500	5 860	D	3,6	3,0	16 000	16 000	650	2 650	2 650						
	Guiding level 2														12 000	12 000	155	1 100	1 100	
AXS200TH	Guiding level 1	210 x 227,5	horizontal	Toothed Rack	360	5 800	D	10	3,0	27 000	27 000	2 000	7 700	7 700						
	Guiding level 2														12 500	12 500	950	2 500	2 500	
AXS200TV	Guiding level 1		vertical	Toothed Rack		5 860	D			in preparation										
	Guiding level 2									2 500										
AXS240TH	Guiding level 1	238 x 227	horizontal	Toothed Rack	500	5 000	D	10	6,0	24 000	24 000	2 400	3 500	3 500						
	Guiding level 2														4 900	16 000	16 000	1 350	1 500	1 500
	Guiding level 1														5 000	27 000	27 000	2 700	5 300	5 300
	Guiding level 2														4 900	16 000	16 000	1 350	2 850	2 850
AXS280TH	Guiding level 1	280 x 325	horizontal	Toothed Rack	700	15 000	D	10	6,0	36 500	36 500	4 400	7 250	7 250						
	Guiding level 2														5 000	24 000	24 000	2 300	3 500	3 500
AXS280TV	Guiding level 1	280 x 269,2	vertical	Toothed Rack	560	8 940	D and H	10	6,0	27 000	27 000	3 200	3 000	3 000						
	Guiding level 2														5 000	16 000	16 000	800	2 300	2 300
	Guiding level 1														8 940	27 000	27 000	3 200	5 000	5 000
	Guiding level 2														5 000	16 000	16 000	800	3 500	3 500
	Guiding level 1														8 940	27 000	27 000	3 200	5 500	5 500
	Guiding level 2														5 000	16 000	16 000	800	3 900	3 900

## Linear Motor Axis

Table 5.8 — Main parameters Linear Motor Axis

Type	Axis cross section [mm]	Maximum feeding force [N]	Maximum dynamic load capacity [N]			Maximum dynamic load moments [Nm]		
			$F_y$	$F_z$	$-F_z$	$M_x$	$M_y$	$M_z$
AXLM155E	155 x 81,5	330	4 490	5 240	3 740	190	280	280
		400	4 490	5 390	3 590	180	270	270
		650	4 490	5 950	3 030	150	500	500
		800	4 490	6 240	2 740	140	450	450
		980	6 730	8 480	4 580	230	770	770
		1 200	6 730	9 310	4 150	210	690	690
AXLM225E	225 x 90	650	6 900	8 380	5 420	400	380	380
		1 000	6 900	9 100	4 700	350	330	330
		1 300	6 900	9 780	4 020	300	590	590
		1 950	13 430	17 730	9 130	680	1 420	1 420
		2 000	8 950	13 270	4 630	340	680	680
		2 600	13 430	19 130	7 730	570	1 650	1 650
		3 000	13 430	19 860	7 000	520	1 100	1 100
		4 000	17 900	26 440	9 360	690	1 650	1 650
AXLM325E	325 x 115	5 000	22 380	33 030	11 730	860	2 400	2 400
		2 650	14 310	20 070	8 550	880	1 320	1 320
		3 970	18 530	27 100	9 960	1 020	2 350	2 350
		5 300	27 800	39 180	16 420	1 680	3 540	3 540
		6 600	37 070	51 270	22 870	2 350	5 220	5 220

## 5.2 AXC Compact Axis

### 5.2.1 AXC\_Z Compact Axis with toothed belt drive

#### 5.2.1.1 Structure

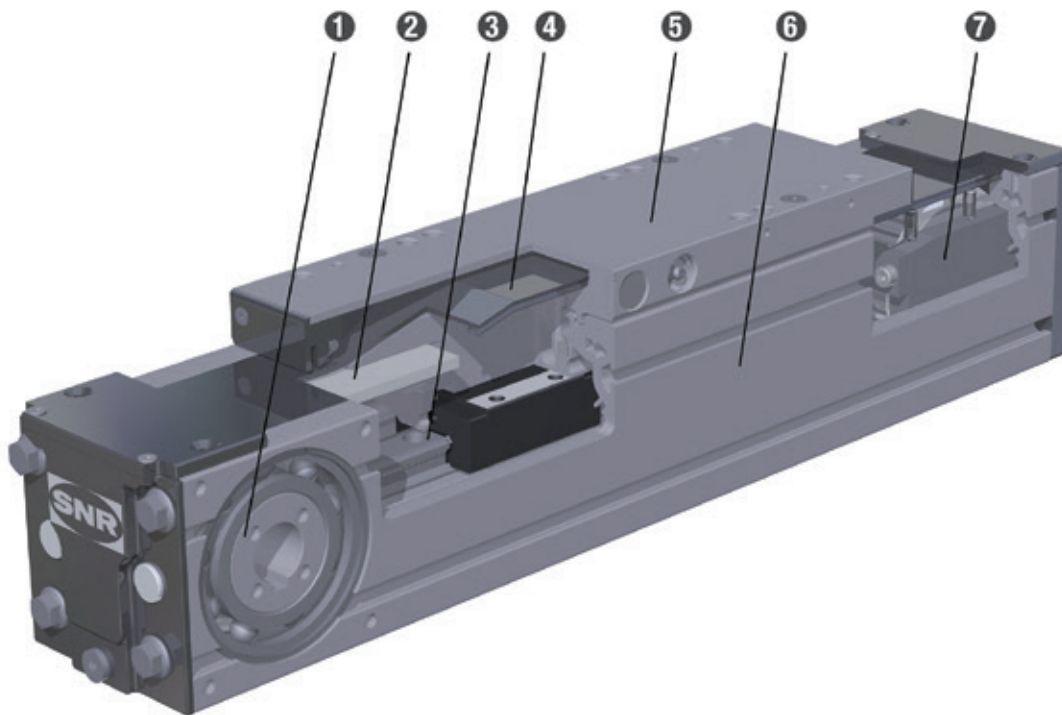
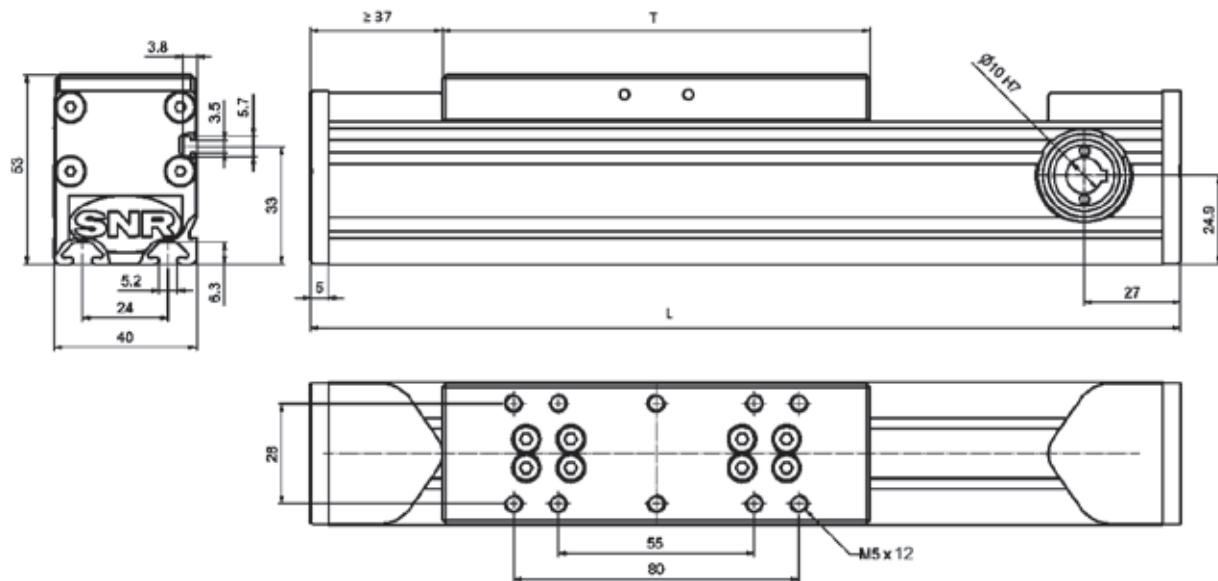


Figure 5.21 — Structure AXC\_Z

- ① Drive unit
- ② Toothed belt
- ③ Guiding system
- ④ Cover strip (optional)
- ⑤ Slider unit
- ⑥ Profile
- ⑦ Deflection pulley

## 5.2.1.2 Dimensions / Technical data

### AXC40Z



**T** = Table length

**S** = Stroke

**L** = T + S + 74 mm

#### Technical data

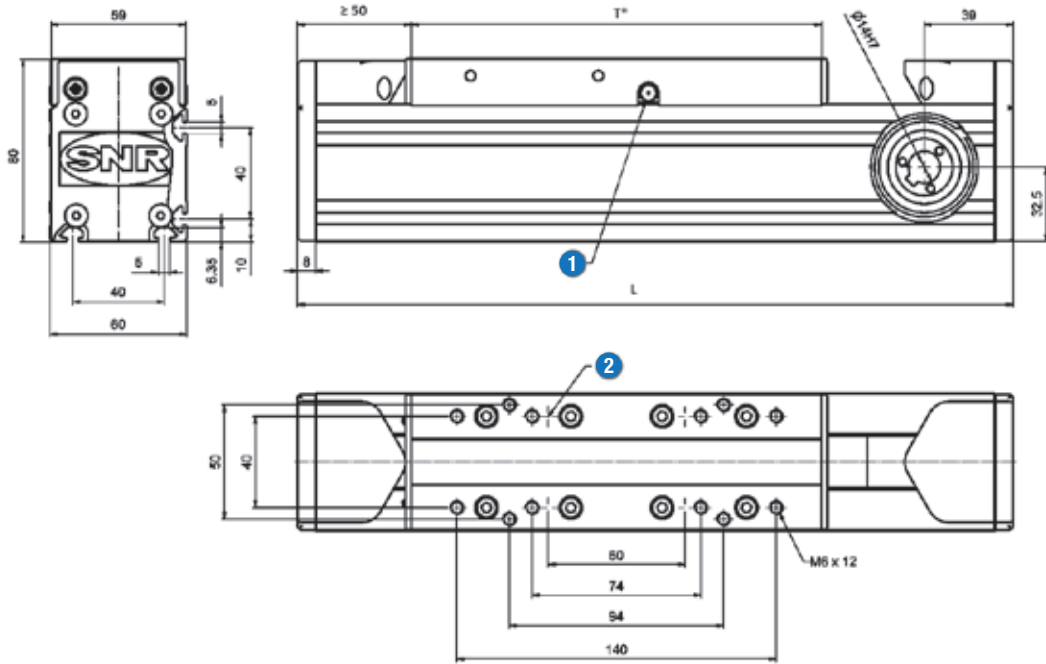
Guiding system		Track roller guide - L
Table length T	mm	120
Drive element		Toothed belt 16AT3
Maximum velocity	m/min	900
Allowable dynamic operation load	N	210
Stroke per revolution	mm	75 <sup>+0,1</sup>
Idling speed torque	Nm	0,16
Maximum drive torque	Nm	2,5
Moment of inertia <sup>1</sup>	Kgcm <sup>2</sup>	0,033
Geometrical moment of inertia (profile) I <sub>y</sub>	cm <sup>4</sup>	9,521
Geometrical moment of inertia (profile) I <sub>z</sub>	cm <sup>4</sup>	12,14
Maximum total length	m	6,0
Repeatability	mm	0,08

<sup>1</sup> - Moment of inertia without gearbox

#### Mass

Guiding system		Track roller guide - L
Basic mass (including slider mass)	kg	1,0
Mass per 100 mm stroke	kg	0,2
Slider mass	kg	0,4

## AXC60Z



$T^*$  = Table length

$S$  = Stroke

$L$  =  $T + S + 100$  mm (50mm with cover strip)

- ① Re-greasing possibility on both sides
- ② Recommended position for fitting bore  $\varnothing 5H7$  (optional to specify as special option)

### Technical data

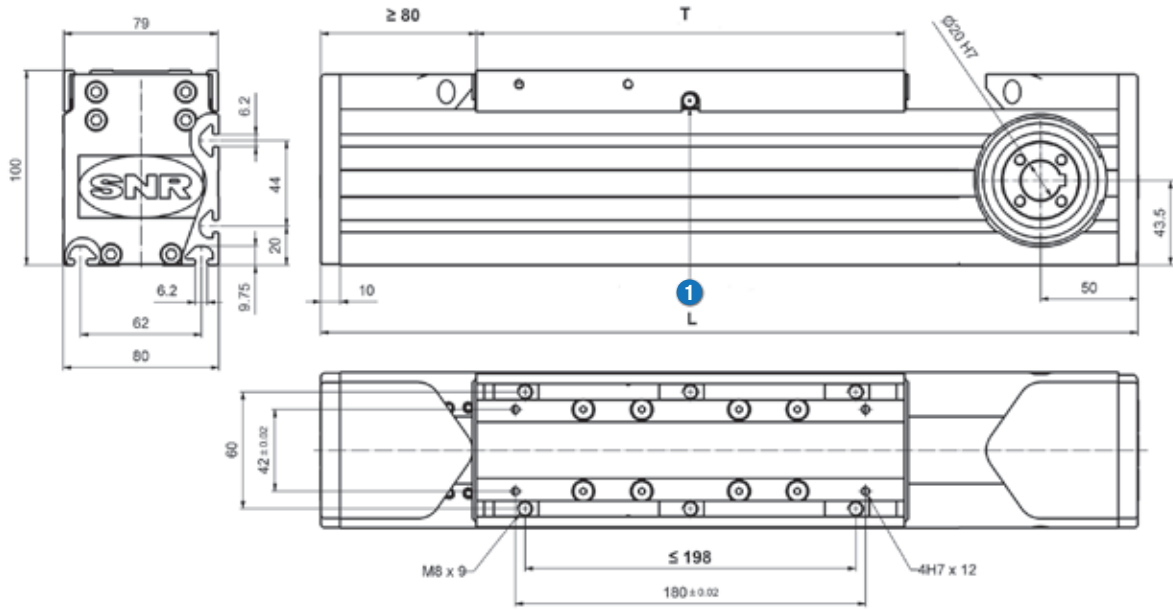
Guiding system		Linear guide B	Track roller guide L
Table length T	mm	180 (* 230 with cover strip)	
Drive element		Toothed belt 25AT5	
Maximum velocity	m/min	300	900
Allowable dynamic operation load	N	560	
Stroke per revolution	mm	150 <sup>+0.3</sup>	
Idling speed torque	Nm	0,8	
Maximum drive torque	Nm	13,4	
Moment of inertia <sup>1</sup>	Kgcm <sup>2</sup>	0,74	
Geometrical moment of inertia (profile) $I_y$	cm <sup>4</sup>	40,04	
Geometrical moment of inertia (profile) $I_z$	cm <sup>4</sup>	60,64	
Maximum total length	m	6,0	6,0
Repeatability	mm	0,05	

<sup>1</sup> - Moment of inertia without gearbox

### Mass

Guiding system		Linear guide B	Track roller guide L
Basic mass (including slider mass)	kg	2,9	2,6
Mass per 100 mm stroke	kg	0,5	0,4
Slider mass	kg	1,1	1,0

# AXC80Z



**T** = Table length

**S** = Stroke

**L** = T + S + 160 mm

- ① Re-greasing possibility on both sides

## Technical data

Guiding system		Linear guide B	Linear guide C	Track roller guide L
Table length T	mm	220	280	220
Drive element		Toothed belt 32AT5		
Maximum velocity	m/min	300		900
Allowable dynamic operation load	N	870		
Stroke per revolution	mm	200 <sup>+0,4</sup>		
Idling speed torque	Nm	1,6		
Maximum drive torque	Nm	27,7		
Moment of inertia <sup>1</sup>	Kgcm <sup>2</sup>	3,68		
Geometrical moment of inertia (profile) I <sub>y</sub>	cm <sup>4</sup>	146,9		
Geometrical moment of inertia (profile) I <sub>z</sub>	cm <sup>4</sup>	199,2		
Maximum total length <sup>2</sup>	m	8,0		
Repeatability	mm	0,05		

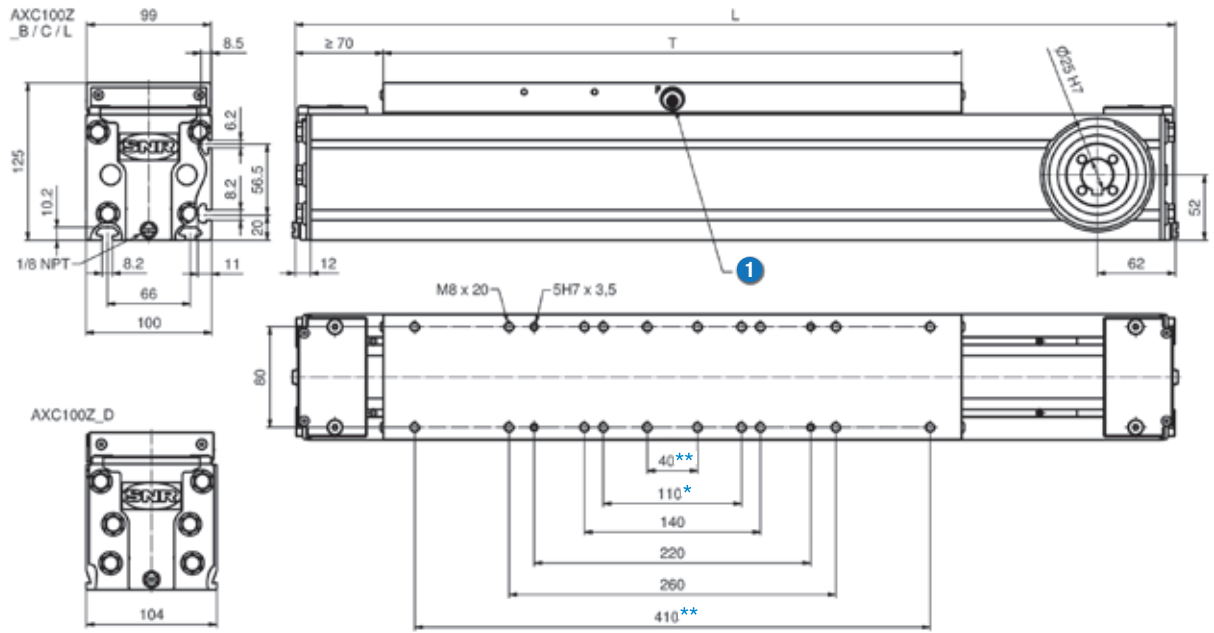
<sup>1</sup> - Moment of inertia without gearbox

<sup>2</sup> - Greater length on request

## Mass

Guiding system		Linear guide B	Linear guide C	Track roller guide L
Basic mass (including slider mass)	kg	6,4	7,3	6,0
Mass per 100 mm stroke	kg	0,94	0,94	0,79
Slider mass	kg	1,9	2,2	2,0

# AXC100Z



**T** = Table length

**S** = Stroke

**L** = T + S + 140 mm

① Re-greasing possibility on both sides

\* Guiding system B, D, L

\*\* Guiding system C

## Technical data

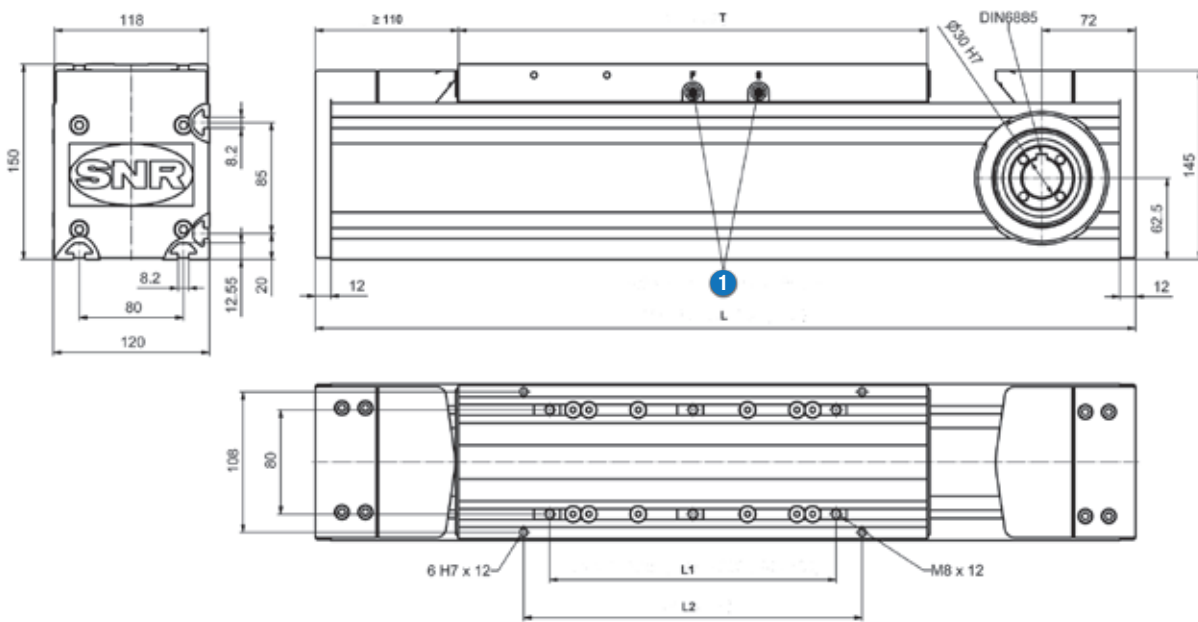
Guiding system		Linear guide B	Linear guide C	Linear guide D	Track roller guide L
Table length T	mm	320	460	320	
Drive element		Toothed belt 40STD8			
Maximum velocity	m/min	300			900
Allowable dynamic operation load	N	2 200			
Stroke per revolution	mm	264 <sup>+0,5</sup>			
Idling speed torque	Nm	3,1			
Maximum drive torque	Nm	92,6			
Moment of inertia <sup>1</sup>	Kgcm <sup>2</sup>	14,3			
Geometrical moment of inertia (profile) I <sub>y</sub>	cm <sup>4</sup>	366,7		377,1	366,7
Geometrical moment of inertia (profile) I <sub>z</sub>	cm <sup>4</sup>	482,8		500,4	482,8
Maximum total length	m	8,0		6,0	8,0
Repeatability	mm	0,05			

<sup>1</sup> : Moment of inertia without gearbox

## Mass

Guiding system		Linear guide B	Linear guide C	Linear guide D	Track roller guide L
Basic mass (including slider mass)	kg	11,1	12,4	11,7	11,9
Mass per 100 mm stroke	kg	1,2	1,2	1,1	1,1
Slider mass	kg	2,6	3,9	3,2	2,6

## AXC120Z



**T** = Table length

**S** = Stroke

**L** = T + S + 220 mm

- ① Re-greasing possibility on both sides

### Technical data

Guiding system		Linear guide B	Linear guide C	Track roller guide L	Track roller guide M
Table length T	mm	360	600	360	600
Distance of the sliding blocks L1		≤ 340 mm (recommended 220 mm)	≤ 580 mm (recommended 380 mm)	≤ 340 mm (recommended 220 mm)	≤ 580 mm (recommended 380 mm)
Distance of the fitting bores L2	mm	260	380	260	380
Drive element		Toothed belt 50AT10			
Maximum velocity	m/min	300		900	
Allowable dynamic operation load	N	2 500			
Stroke per revolution	mm	320 <sup>+0.5</sup>			
Idling speed torque	Nm	4,0			
Maximum drive torque	Nm	127			
Moment of inertia <sup>1</sup>	Kgcm <sup>2</sup>	29,9			
Geometrical moment of inertia (profile) I <sub>y</sub>	cm <sup>4</sup>	661,1			
Geometrical moment of inertia (profile) I <sub>z</sub>	cm <sup>4</sup>	938,6			
Maximum total length <sup>2</sup>	m	8,0 (one-piece)			
Repeatability	mm	0,05			

<sup>1</sup> - Moment of inertia without gearbox

<sup>2</sup> - Greater length on request

### Mass

Guiding system		Linear guide B	Linear guide C	Track roller guide L	Track roller guide M
Basic mass (including slider mass)	kg	21,6	30,0	20,1	28,5
Mass per 100 mm stroke	kg	2,1	2,1	1,4	1,4
Slider mass	kg	6,4	9,8	6,2	11,3

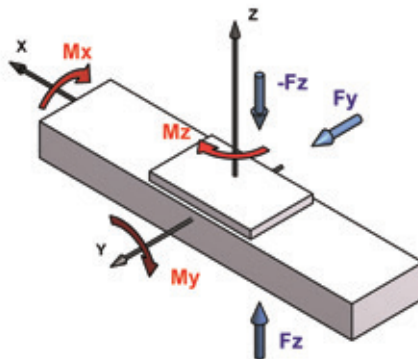
### 5.2.1.3 Maximum static load capacity

Type	Guiding system	Load [N]		Load moment [Nm]		
		$F_y$	$F_z$	$M_x$	$M_y$	$M_z$
AXC40Z	L	330	300	2,8	4,5	7,4
AXC60Z	B	9 650	9 650	66	350	180
	L	840	550	10	27	41
AXC80Z	B	16 500	16 500	150	800	400
	C	16 500	16 500	150	950	590
	L	3 400	2 300	60	110	170
AXC100Z	B	16 500	16 500	175	900	560
	C	16 500	16 500	175	2 100	1 260
	D	23 750	23 750	680	1 100	1 100
	L	3 400	2 300	87	120	180
AXC120Z	B	28 500	28 500	365	2 600	1 730
	C	32 250	35 250	450	7 000	3 770
	L	5 100	3 400	110	260	390
	M	6 800	4 500	150	530	790

### 5.2.1.4 Dynamic load capacity

The dynamic load capacities of the guiding systems are based on a nominal life time of 50 000 km.

Type	Guiding system	Load [N]		Load moment [Nm]		
		$F_y$	$F_z$	$M_x$	$M_y$	$M_z$
AXC40Z	L	310	170	2,4	3,9	7,0
AXC60Z	B	2 800	2 800	19	100	100
	L	840	500	10	27	41
AXC80Z	B	4 650	4 650	43	235	235
	C	4 650	4 650	43	350	350
	L	3 400	2 300	60	110	170
AXC100Z	B	5 000	5 000	52	275	275
	C	5 000	5 000	52	630	630
	D	7 000	7 000	200	325	325
	L	3 400	2 300	87	120	180
AXC120Z	B	9 650	9 650	120	875	875
	C	10 500	10 500	140	2 150	2 150
	L	5 100	3 400	110	260	390
	M	6 800	4 500	150	530	790





## 5.2.2 AXC\_S / T Compact Axis with screw drive

### 5.2.2.1 Structure

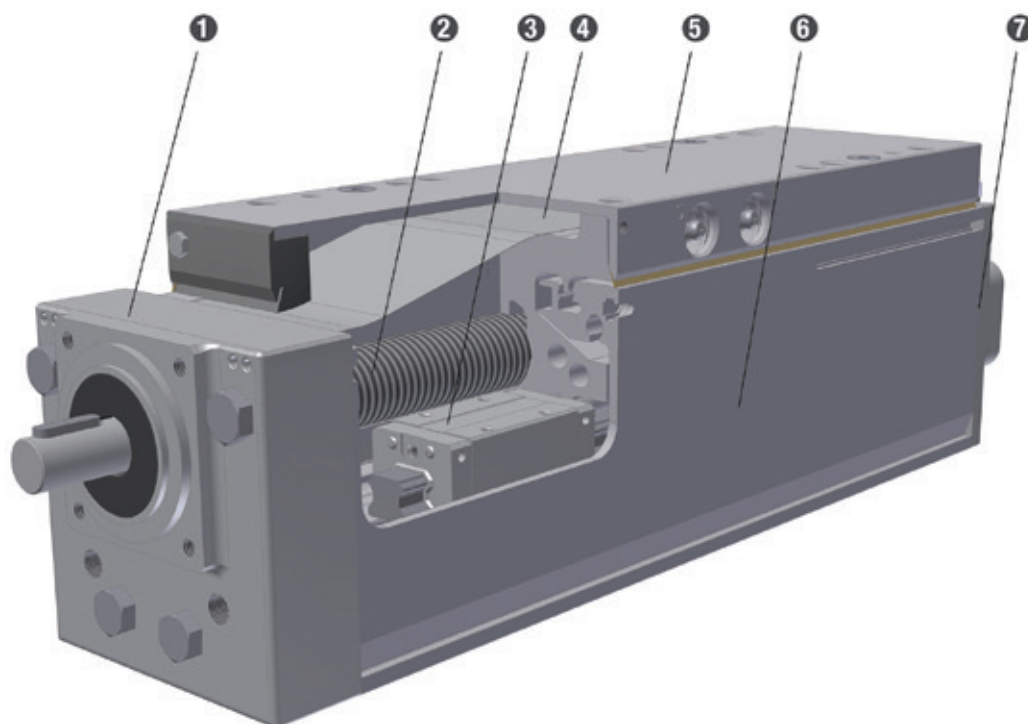
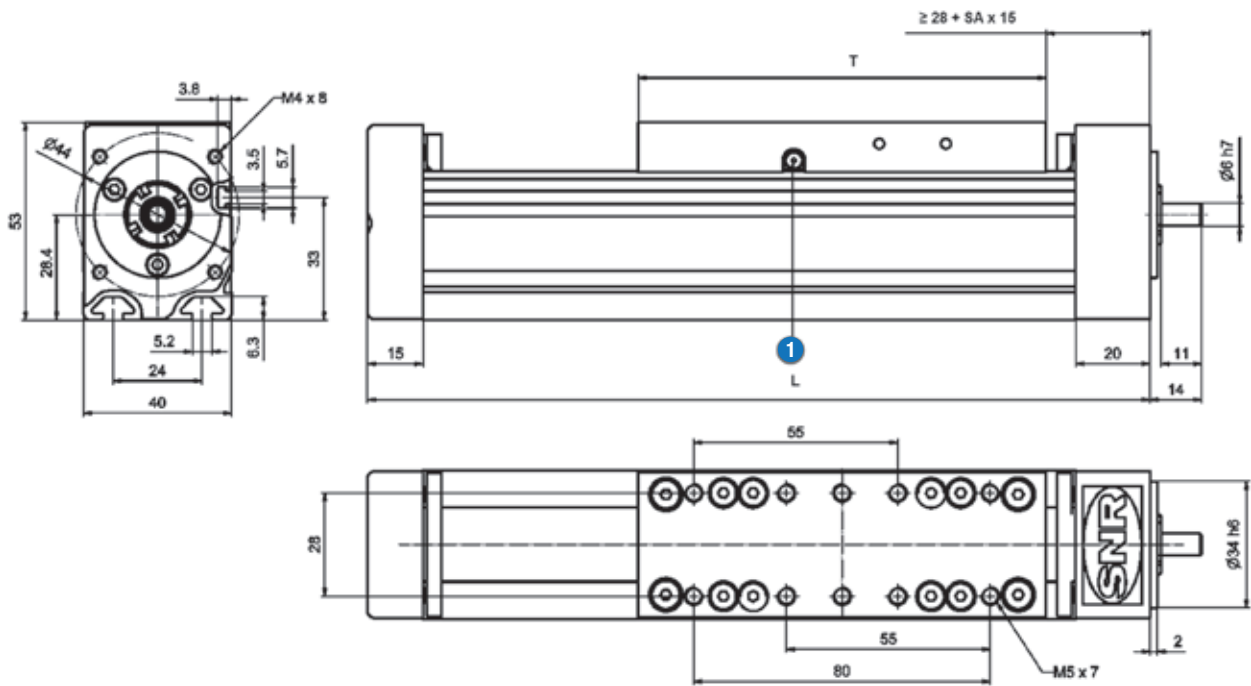


Figure 5.22 — Structure AXC\_S / AXC\_T

- ❶ Fixed bearing unit
- ❷ Screw drive
- ❸ Guiding system
- ❹ Cover strip (optional)
- ❺ Slider unit
- ❻ Profile
- ❼ Floating bearing unit

### 5.2.2.2 Dimensions/ Technical data

#### AXC40S / AXC40T



**T** = Table length

**S** = Stroke

**n x SA** = Number of screw drive support units

$$L = T + S + 51 \text{ mm} (+ n \times SA \times 30 \text{ mm})$$

- ❶ Re-greasing possibility on both sides

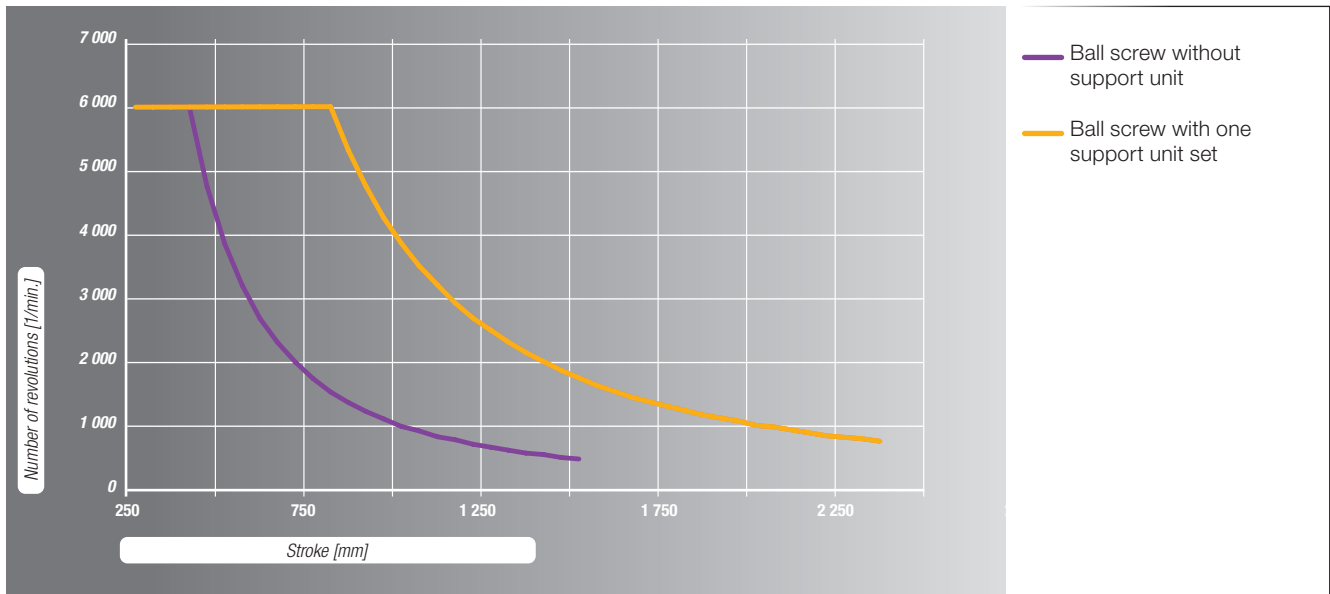
#### Technical data

Type		SN1205	SN1210	TN1203
Guiding system		Linear guide B		
Table length T	mm	110		
Drive element		Ball screw		Trapezoidal screw
Screw diameter	mm	12		
Pitch / Pitch direction	mm	5 / right	10 / right	3 / right
Maximum velocity	m/min	30	60	5,5
Pitch accuracy	$\mu\text{m}/300\text{mm}$	52		200
Dynamic load rating of the ball screw	N	3 600	2 500	-
Idling speed torque	Nm	0,3		
Maximum drive torque	Nm	0,80	1,60	1,00
Maximum axial operating load	N	980	980	1 000
Moment of inertia	$\text{Kgcm}^2/\text{m}$	0,11		0,10
Geometrical moment of inertia (profile) $I_y$	$\text{cm}^4$	9,521		
Geometrical moment of inertia (profile) $I_z$	$\text{cm}^4$	12,14		
Maximum total length	m	2,5		3,0
Repeatability	mm	0,03	0,07	
Efficiency		0,98	0,98	0,46

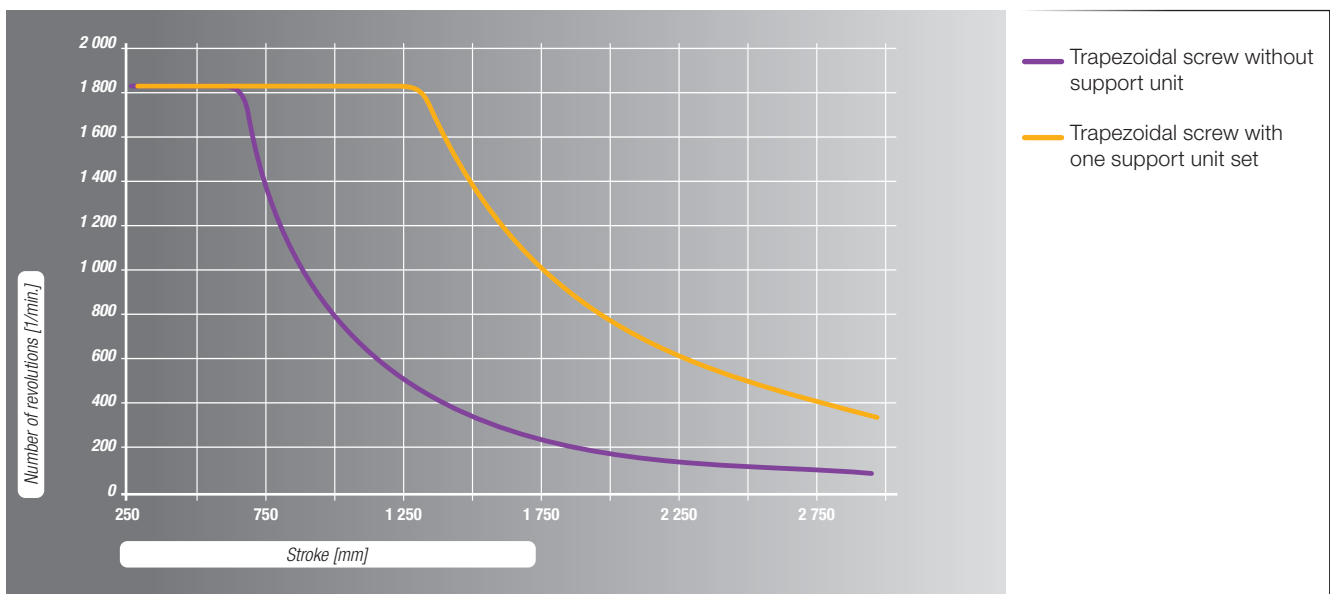
#### Mass

Guiding system		Linear guide B
Basic mass (including slider mass)	kg	1,00
Mass per 100 mm stroke	kg	0,30
Slider mass	kg	0,40

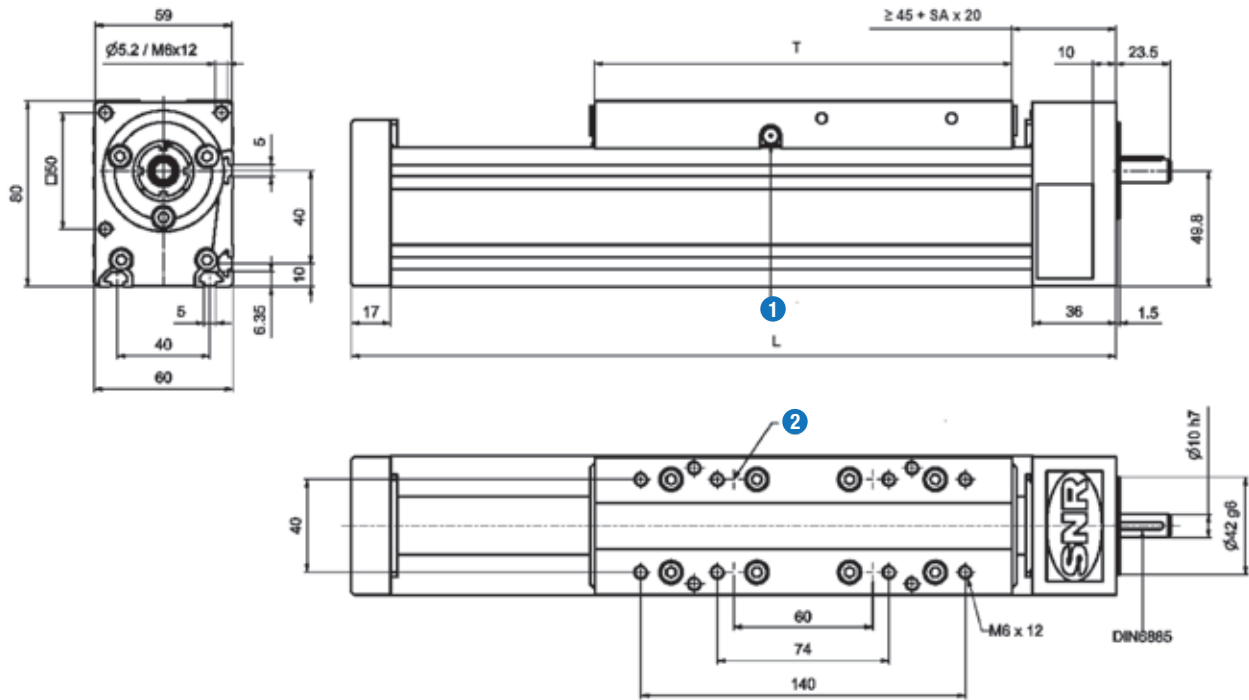
### Allowable rotational speed of the ball screw



### Allowable rotational speed of the trapezoidal screw



## AXC60S / AXC60T



**T** = Table length

**S** = Stroke

**n x SA** = Number of screw drive support units

$$L = T + S + 70 \text{ mm} (+ n \times SA \times 40 \text{ mm})$$

- ① Re-greasing possibility on both sides
- ② Recommended position for fitting bore  $\varnothing 5H7$  (optional to specify as special option)

### Technical data

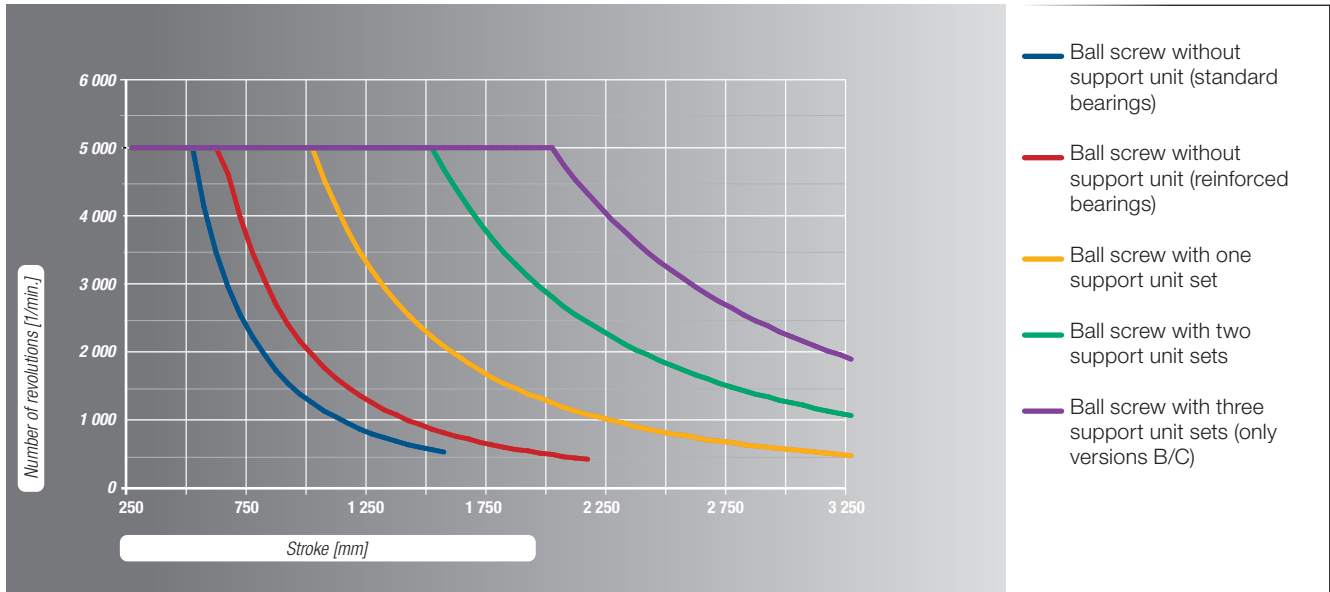
Type		SN/SV1605	SN/SV1610	SN1616	TN/TV1604	TN/TV1608
Guiding system		Linear guide B and C / Track roller guide L				
Table length T	mm	Guiding system B and L: 180 / Guiding system C: 230				
Drive element		Ball screw			Trapezoidal screw	
Screw diameter	mm	16				
Pitch / Pitch direction	mm	5 / right, left	10 / right	16 / right	4 / right, left	8 / right
Maximum velocity	m/min	30	60	96	5,5	10,9
Pitch accuracy	$\mu\text{m}/300\text{mm}$	52			50	100
Dynamic load rating of the ball screw	N	7 500 (12 190*)	7 500 (8 240*)	5 400	-	
Idling speed torque	Nm	0,4				
Maximum drive torque	Nm	1,8 (2,6*)	3,5 (5,3*)	5,6	3,0	4,5
Maximum axial operating load	N	2 200 (3 300*)			2 200	
Moment of inertia	$\text{Kgcm}^2/\text{m}$	0,31			0,3	
Geometrical moment of inertia (profile) $I_y$	$\text{cm}^4$	40,04				
Geometrical moment of inertia (profile) $I_z$	$\text{cm}^4$	60,64				
Maximum total length	m	3,5			3,0	
Repeatability	mm	0,03			0,07	
Efficiency		0,97	0,98		0,46	0,62

\* For drive type SV

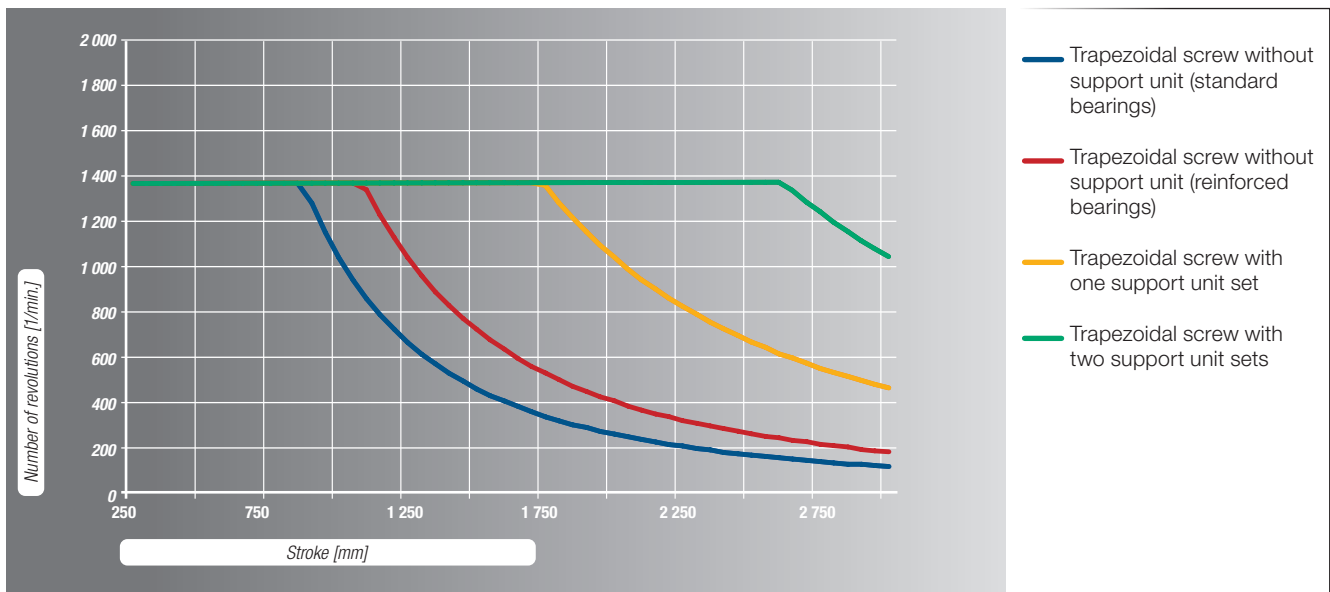
### Mass

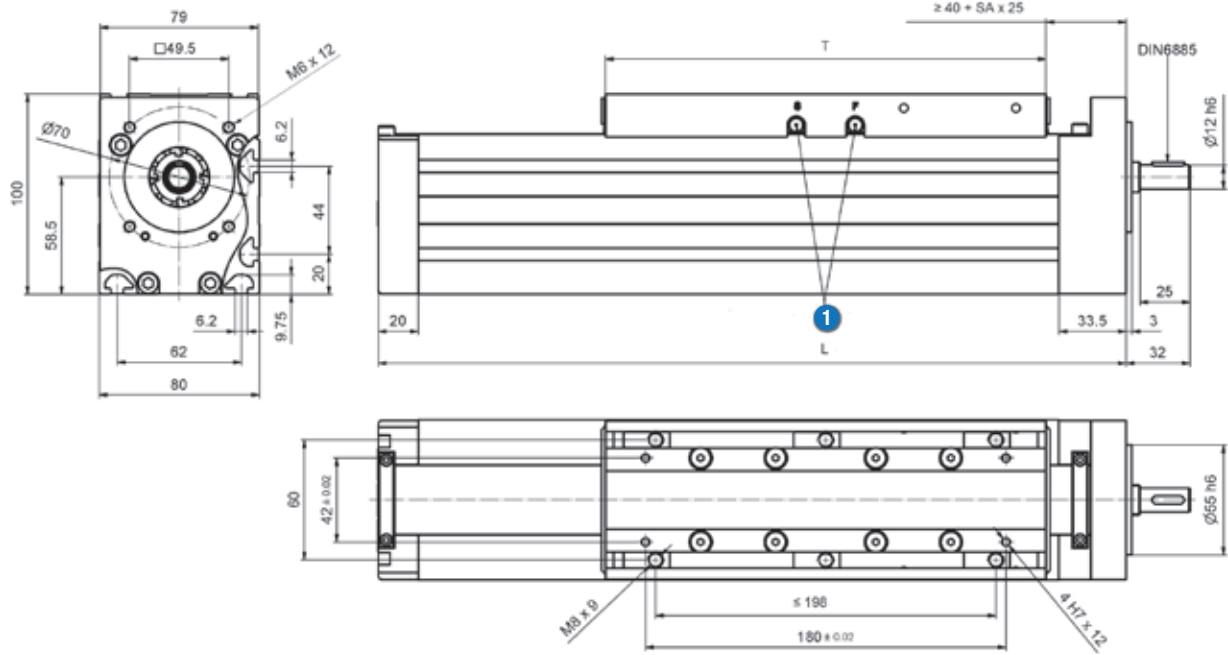
Guiding system		Linear guide B	Linear guide C	Track roller guide L
Basic mass (including slider mass)	kg	2,70	3,40	2,60
Mass per 100 mm stroke	kg	0,61	0,61	0,53
Slider mass	kg	0,80	1,20	0,90

### Allowable rotational speed of the ball screw



### Allowable rotational speed of the trapezoidal screw





T = Table length

S = Stroke

n x SA = Number of screw drive support units

$$L = T + S + 60 \text{ mm} (+ n \times SA \times 50 \text{ mm})$$

① Re-greasing possibility on both sides

Technical data

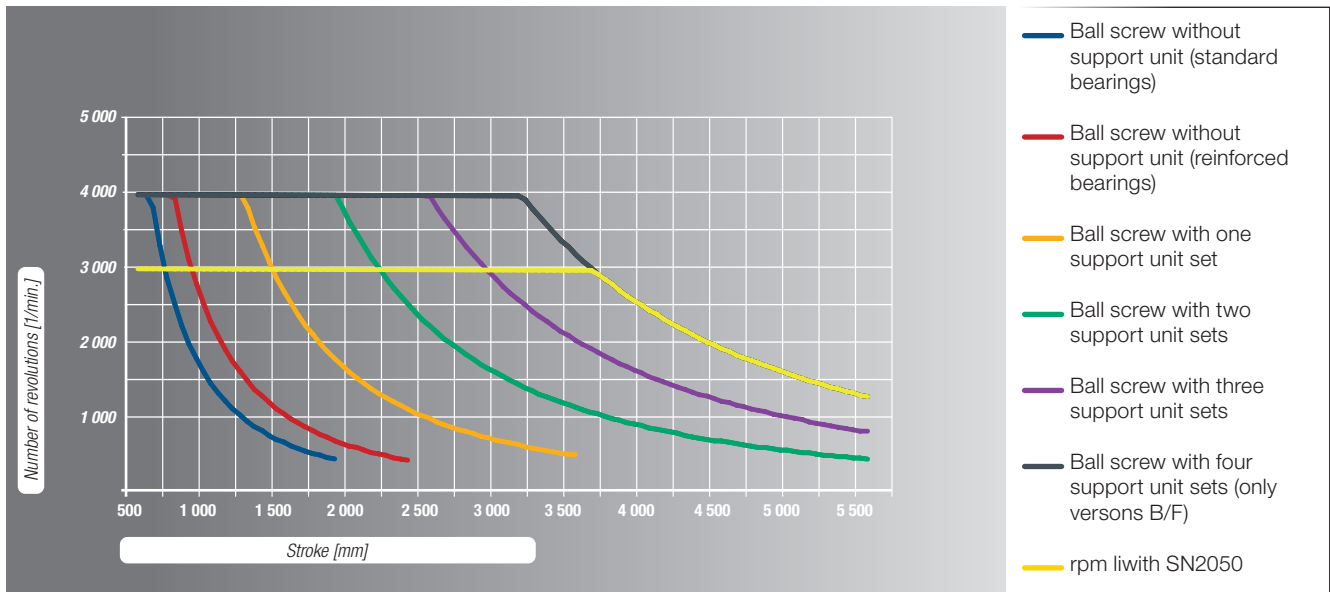
Type		SN/SV2005	SN/SV2020**	SN2050**	TN/TVT2004	TN/TVT2008
Guiding system		Linear guide A and B / Without guiding system F				
Table length T	mm	Guiding system B: 280 / Guiding system A and F: 220				
Screw element		Ball screw			Trapezoidal screw	
Screw diameter	mm	20				
Pitch / Pitch direction	mm	5 / right, left	20 / right	50 / right	4 / right, left	8 / right
Maximum velocity	m/min	30	120	150	4,2	8,5
Pitch accuracy	µm/300mm	52			50	100
Dynamic load rating of the ball screw	N	8 300 (14 000*)	8 300 (14 000*)	7 900	-	
Idling speed torque	Nm	0,4...0,6				
Maximum drive torque	Nm	2,1 (3,7*)	8,3 (15,0*)	21,0	4,3	6,0
Maximum axial operating load	N	2 600 (4 700*)			2 700	
Moment of inertia	Kgcm <sup>2</sup> /m	0,84	0,81	0,79	0,81	
Geometrical moment of inertia (profile) I <sub>y</sub>	cm <sup>4</sup>	146,9				
Geometrical moment of inertia (profile) I <sub>z</sub>	cm <sup>4</sup>	199,2				
Maximum total length	m	5,5			6,0	
Repeatability	mm	0,03			0,07	
Efficiency		0,95	0,98		0,40	0,57

\* For drive type SV and not for guiding system A and F - \*\* not for guiding system A

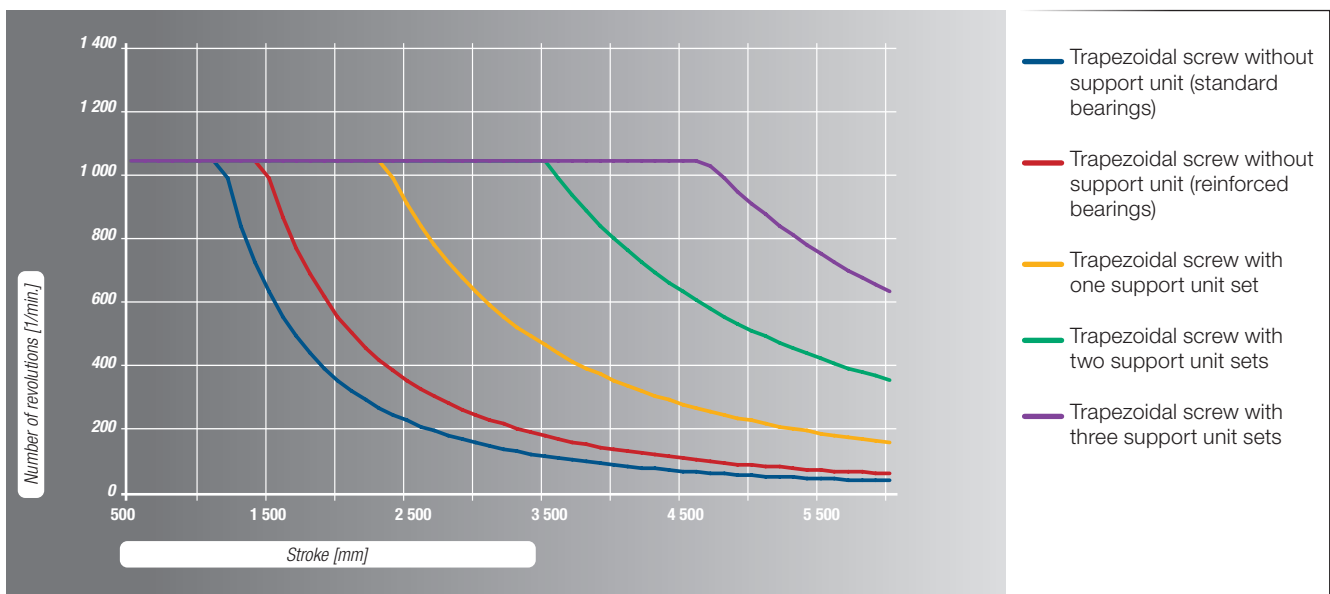
Mass

Guiding system		Linear guide A	Linear guide B	Without guiding system F
Basic mass (including slider mass)	kg	6,3	6,8	4,8
Mass per 100 mm stroke	kg	1,1	1,1	0,9
Slider mass	kg	1,7	2,2	1,40

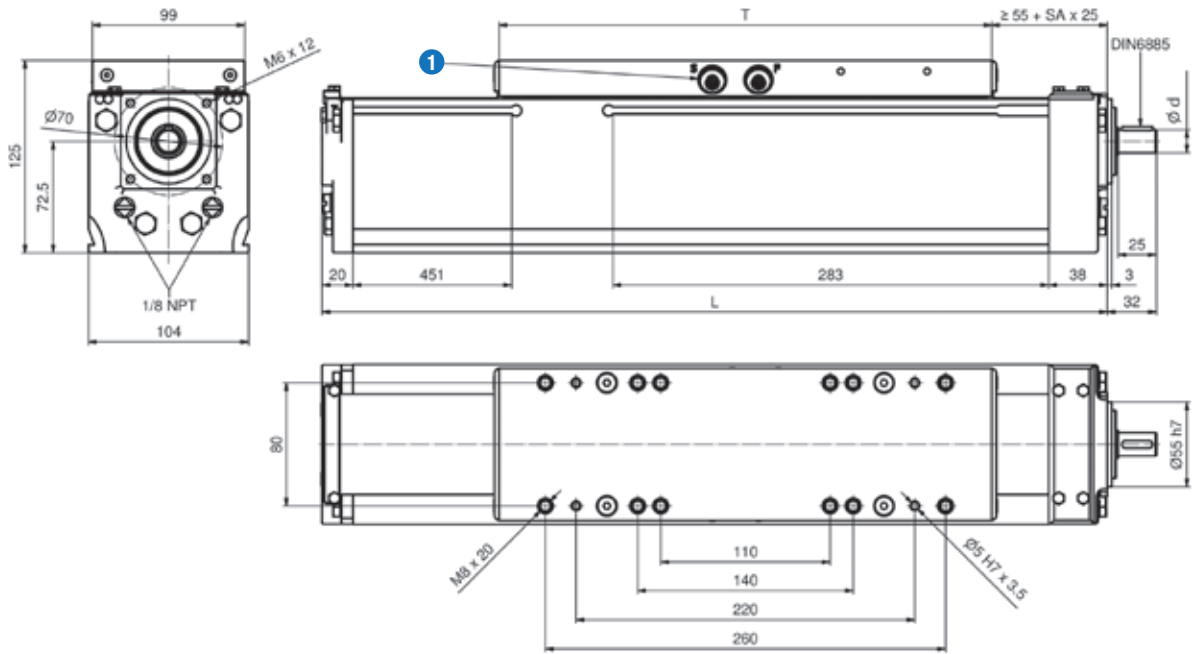
### Allowable rotational speed of the ball screw



### Allowable rotational speed of the trapezoidal screw



# AXC100S / AXC100T



**T** = Table length

**S** = Stroke

**n x SA** = Number of screw drive support units

$$L = T + S + 80 \text{ mm (+ n x SA x 50 mm)}$$

- ① Re-greasing possibility on both sides

## Technical data

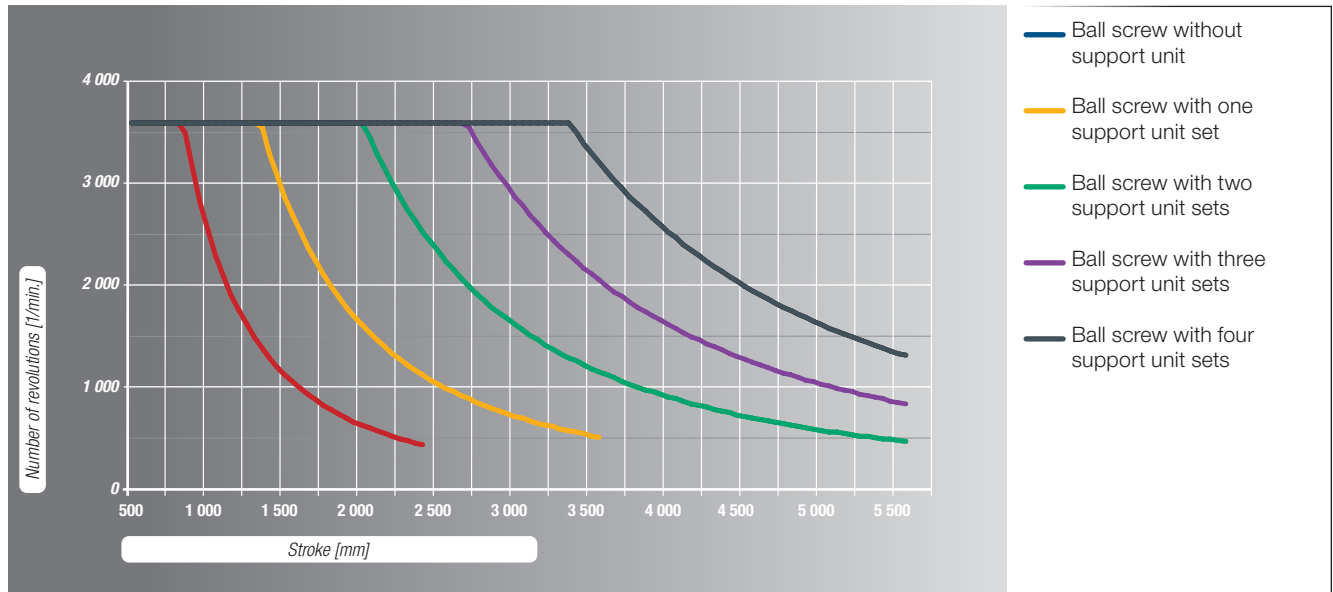
Type		SN2505	SN2510	SN2525	SN2550	TN2405	TN2410
Guiding system		Linear guide D					
Table length T	mm	320					
Drive element		Ball screw				Trapezoidal screw	
Screw diameter	mm	25				24	
Diameter shaft end d	mm	15h7				12h7	
Pitch / Pitch direction	mm	5 / right	10 / right	25 / right	50 / right	5 / right, left	10 / right
Maximum velocity	m/min	24	48	120	150	4,4	8,9
Pitch accuracy	µm/300mm	52				50	100
Dynamic load rating of the ball screw	N	19 800	16 100	12 100	15 400		
Idling speed torque	Nm	0,3...2,0					
Maximum drive torque	Nm	4,8	9,5	24,0	48,0	10,0	14,0
Maximum axial operating load	N	6 000				5 200	
Moment of inertia	Kgcm <sup>2</sup> /m	2,62	2,82	2,62	2,25	1,50	
Geometrical moment of inertia (profile) I <sub>y</sub>	cm <sup>4</sup>	377,1					
Geometrical moment of inertia (profile) I <sub>z</sub>	cm <sup>4</sup>	500,4					
Maximum total length	m	5,8		5,5		6,0	
Repeatability	mm	0,03				0,07	
Efficiency		0,93	0,98			0,41	0,58

## Mass

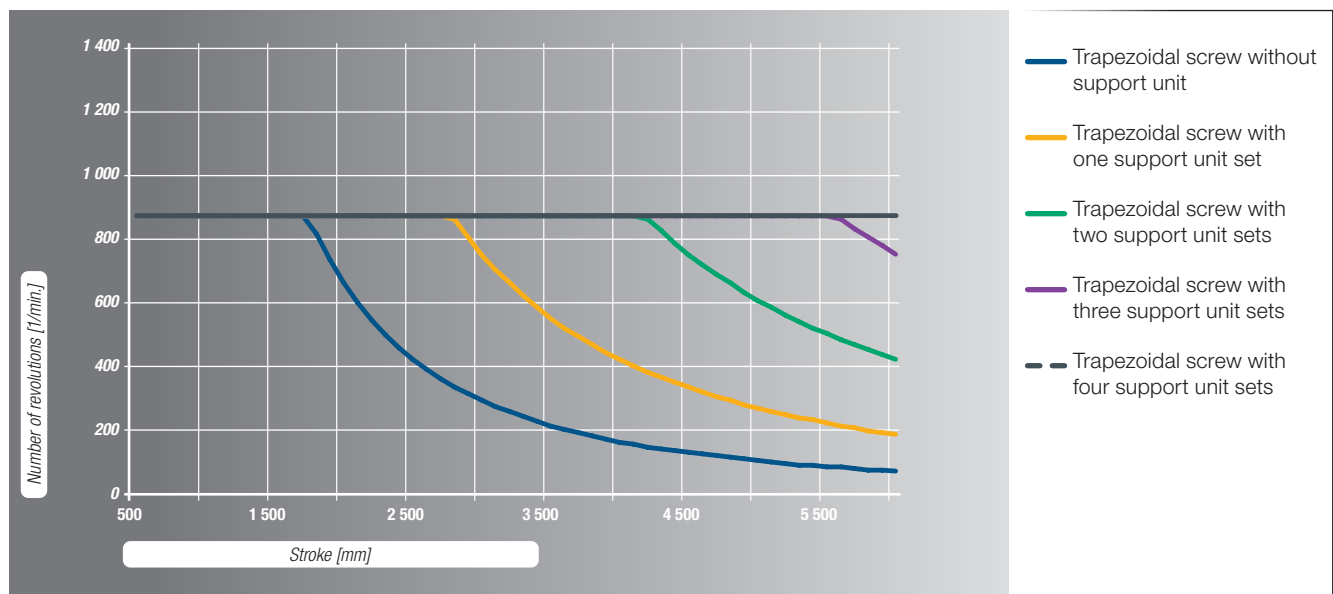
Guiding system		Linear guide D
Basic mass (including slider mass)	kg	12,0
Mass per 100 mm stroke	kg	1,6
Slider mass	kg	2,7



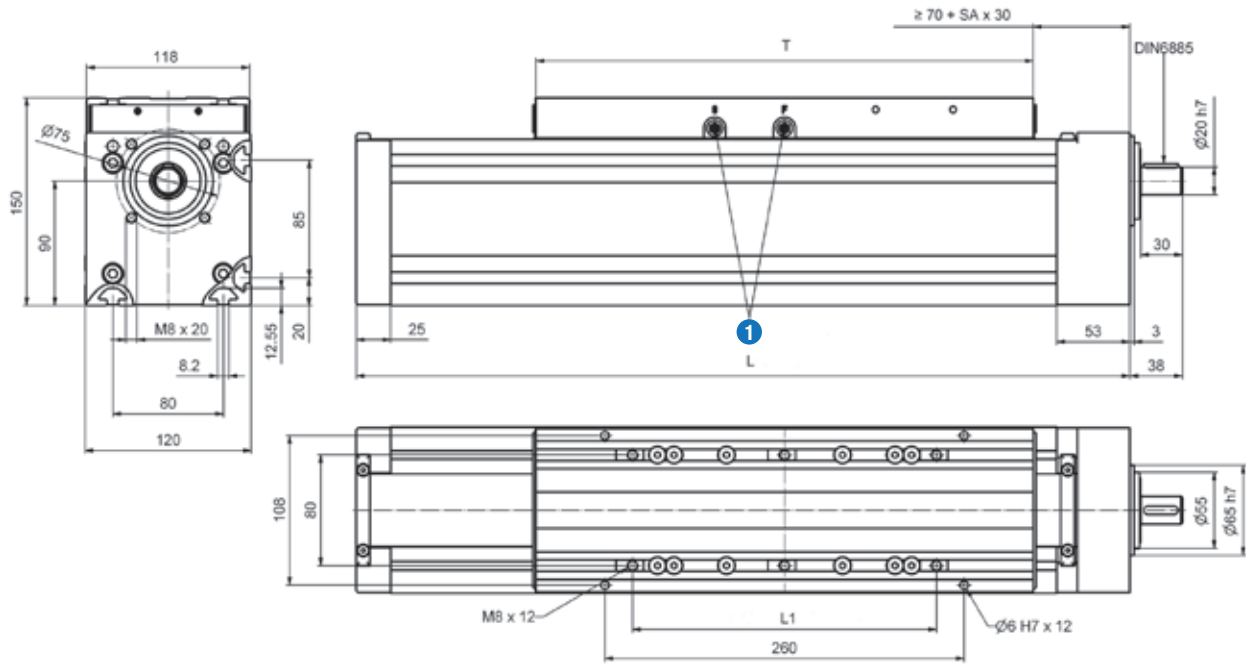
### Allowable rotational speed of the ball screw



### Allowable rotational speed of the trapezoidal screw



# AXC120S / AXC120T



**T** = Table length

**S** = Stroke

**n x SA** = Number of screw drive support units

$$L = T + S + 100 \text{ mm (+ n x SA x 60 mm)}$$

**1** Re-greasing possibility on both sides

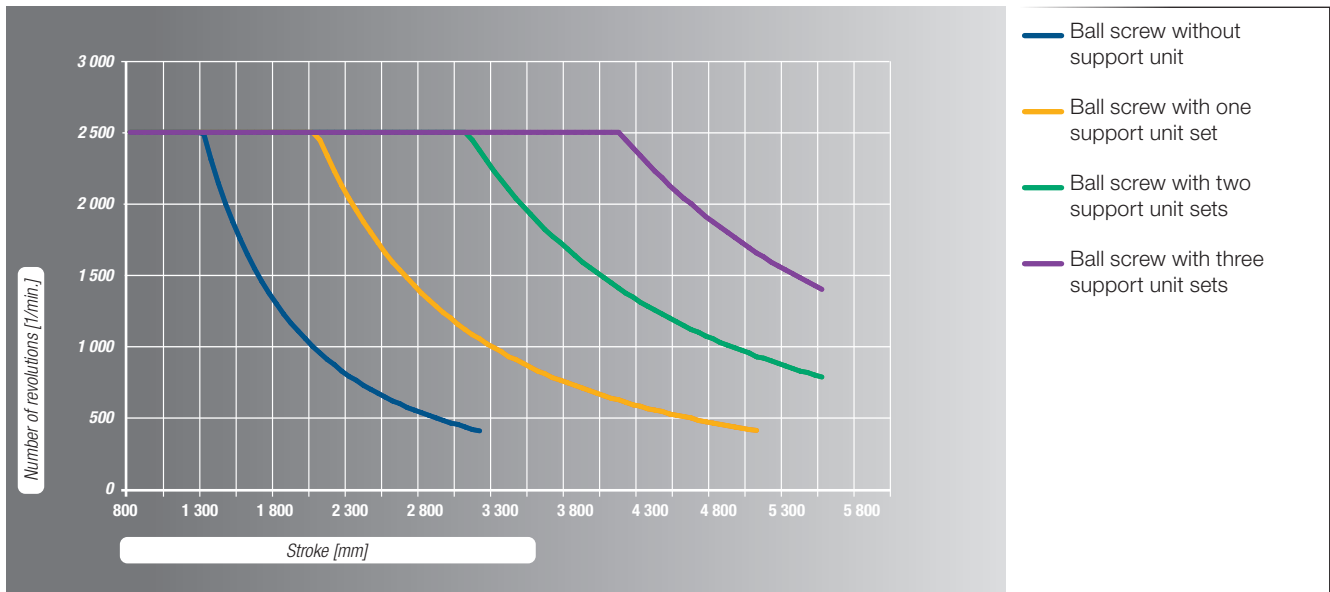
## Technical data

Type		SN3205	SN3210	SN3220	SN3232	TN3606	TN3612
Guiding system		Linear guide B - Track roller guide L					
Table length T	mm	360					
Distance of the sliding blocks L1		≤ 340 mm (recommended 220 mm)					
Drive element		Ball screw				Trapezoidal screw	
Screw diameter	mm	32				36	
Pitch / Pitch direction	mm	5 / right, left	10 / right	20 / right	32 / right	6 / right, left	12 / right
Maximum velocity	m/min	23	47	94	150	3,5	6,9
Pitch accuracy	μm/300mm	52				50	200
Dynamic load rating of the ball screw	N	25 900	25 500	18 700	18 700	-	
Idling speed torque	Nm	1,0...1,3					
Maximum drive torque	Nm	5,6	11,0	22,0	36,0	19,0	26,0
Maximum axial operating load	N	7 000					
Moment of inertia	Kgcm <sup>2</sup> /m	6,05	6,40	6,39	6,17	9,00	
Geometrical moment of inertia (profile) I <sub>y</sub>	cm <sup>4</sup>	661,1					
Geometrical moment of inertia (profile) I <sub>z</sub>	cm <sup>4</sup>	938,6					
Maximum total length	m	5,5			5,0	6,0	
Repeatability	mm	0,03				0,07	
Efficiency		0,91	0,97	0,98		0,35	0,52

## Mass

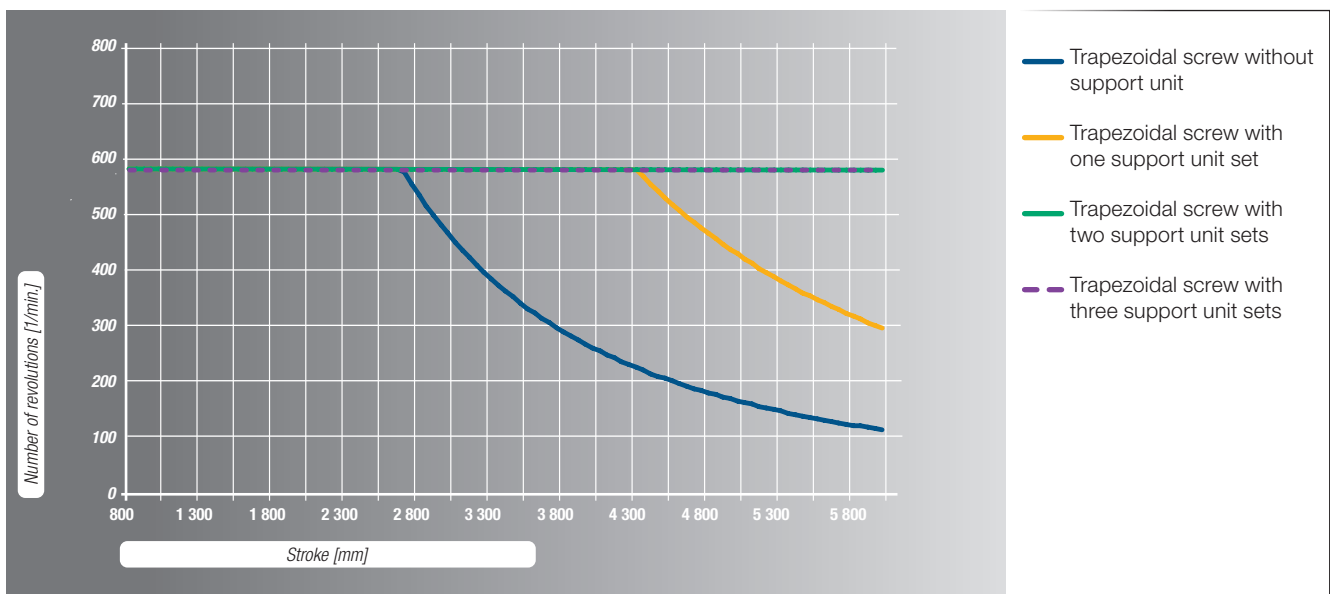
Guiding system		Linear guide B	Track roller guide L
Basic mass (including slider mass)	kg	20,5	20,0
Mass per 100 mm stroke	kg	2,4	2,0
Slider mass	kg	7,2	6,7

### Allowable rotational speed of the ball screw



The version AXC120SN3205 is not available with spindle supports units

### Allowable rotational speed of the trapezoidal screw



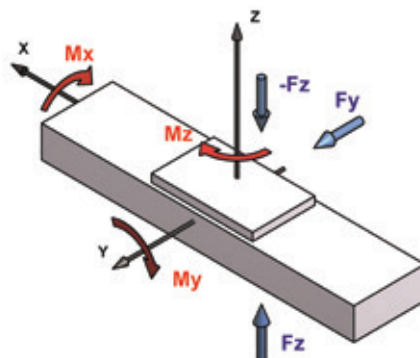
### 5.2.2.3 Maximum static load capacity

Type	Guiding system	Load [N]		Load moment [Nm]		
		$F_y$	$F_z$	$M_x$	$M_y$	$M_z$
AXC40S AXC40T	B	900	900	4,4	30	30
AXC60S AXC60T	B	3 950	3 950	27	200	116
	C	9 650	9 650	66	600	306
	L	840	550	10	27	41
AXC80S AXC80T	A	12 400	12 400	116	740	430
	B	16 000	16 000	150	1 350	670
	F	-	-	-	-	-
AXC100S AXC100T	D	15 900	15 900	450	1 600	1 600
AXC120S AXC120T	B	28 750	28 750	365	2 750	1 820
	L	3 400	2 300	76	260	390

### 5.2.2.4 Dynamic load capacity

The dynamic load capacities of the guiding systems are based on a nominal life time of 25 000 km.

Type	Guiding system	Load [N]		Load moment [Nm]		
		$F_y$	$F_z$	$M_x$	$M_y$	$M_z$
AXC40S AXC40T	B	675	675	3,2	22	22
AXC60S AXC60T	B	1 450	1 450	10	70	70
	C	3 550	3 550	24	220	220
	L	840	500	10	27	41
AXC80S AXC80T	A	4 500	4 500	42	270	270
	B	5 850	5 850	55	500	500
	F	-	-	-	-	-
AXC100S AXC100T	D	5 850	5 850	170	600	600
AXC120S AXC120T	B	12 000	12 000	160	1 150	1 150
	L	3 400	2 300	76	260	390



## 5.2.3 AXC\_A Compact Axis with toothed belt / $\Omega$ - drive

### 5.2.3.1 Structure

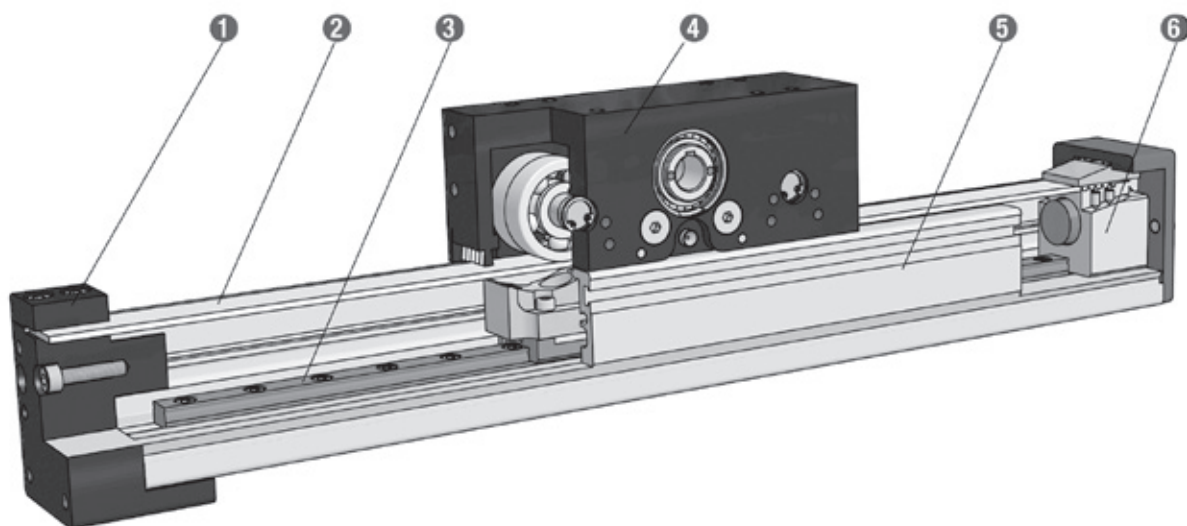
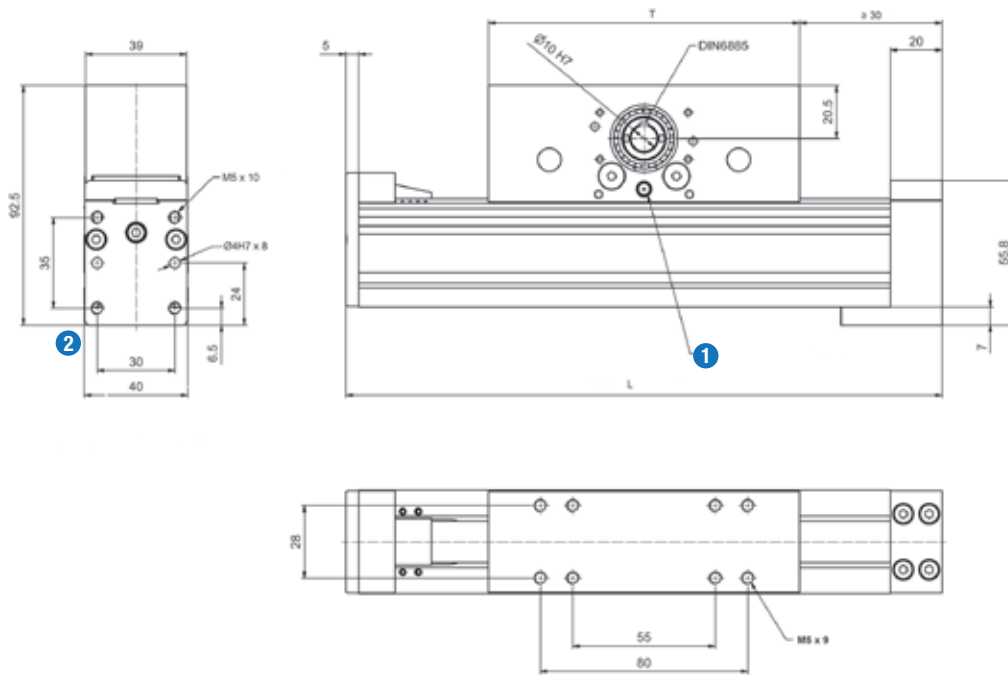


Figure 5.23 — Structure AXC\_A

- ❶ Toothed belt clamping
- ❷ Toothed belt
- ❸ Guiding system
- ❹ Operating head
- ❺ Profile
- ❻ Toothed belt tension unit

### 5.2.3.2 Dimensions / Technical data

#### AXC40A



**T** = Table length

**S** = Stroke

**L** = T + S + 60 mm

- ① Re-greasing possibility on both sides
- ② Groove dimension as AXC40Z

#### Technical data

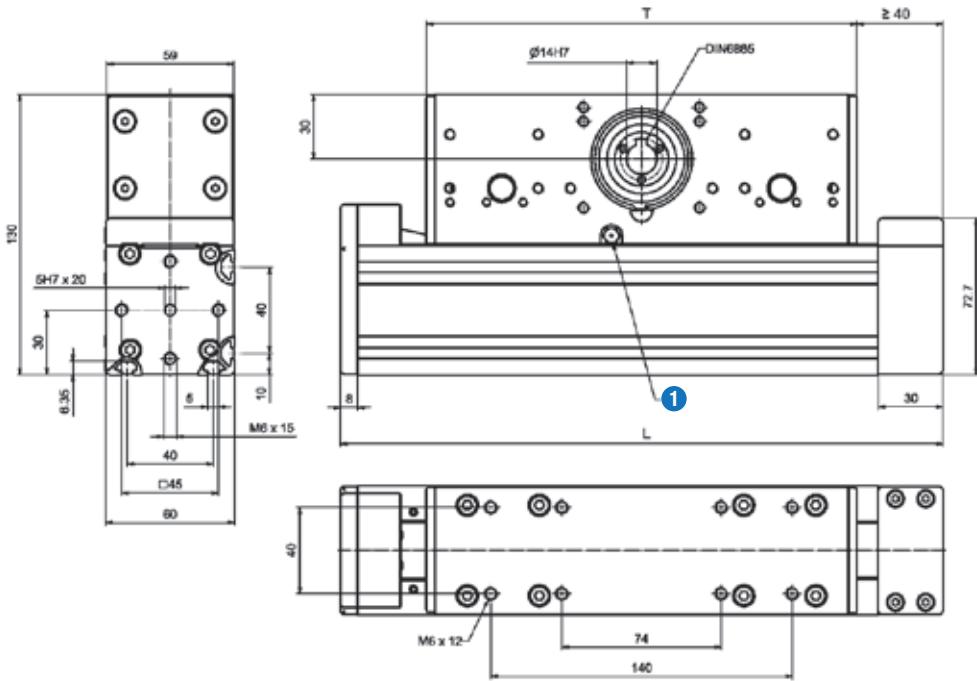
Guiding system		Linear guide B
Table length T	mm	120
Drive element		Toothed belt 16AT3
Maximum velocity	m /min	300
Allowable dynamic operation load	N	210
Stroke per revolution	mm	75 <sup>+0,1</sup>
Idling speed torque	Nm	0,2
Maximum drive torque	Nm	2,5
Moment of inertia <sup>1</sup>	Kgcm <sup>2</sup>	0,16
Geometrical moment of inertia (profile) I <sub>y</sub>	cm <sup>4</sup>	9,521
Geometrical moment of inertia (profile) I <sub>z</sub>	cm <sup>4</sup>	12,14
Maximum total length	m	6,0
Repeatability	mm	0,08

<sup>1</sup> · Moment of inertia without gearbox

#### Mass

Guiding system		Linear guide L
Basic mass (including slider mass)	kg	1,4
Mass per 100 mm stroke	kg	0,3
Slider mass	kg	0,9

**AXC60A**



**T** = Table length

**S** = Stroke

**L** = T + S + 80 mm

**1** Re-greasing possibility on both sides

Technical data

Guiding system		Linear guide B	Track roller guide L
Table length T	mm	200	
Drive element		Toothed belt 25AT5	
Maximum velocity	m /min	300	900
Allowable dynamic operation load	N	560	
Stroke per revolution	mm	150 <sup>+0,3</sup>	
Idling speed torque	Nm	0,8	
Maximum drive torque	Nm	13,4	
Moment of inertia <sup>1</sup>	Kgcm <sup>2</sup>	1,07	
Geometrical moment of inertia (profile) I <sub>y</sub>	cm <sup>4</sup>	40,04	
Geometrical moment of inertia (profile) I <sub>z</sub>	cm <sup>4</sup>	60,64	
Maximum total length	m	8,0 <sup>2</sup>	6,0
Repeatability	mm	0,05	

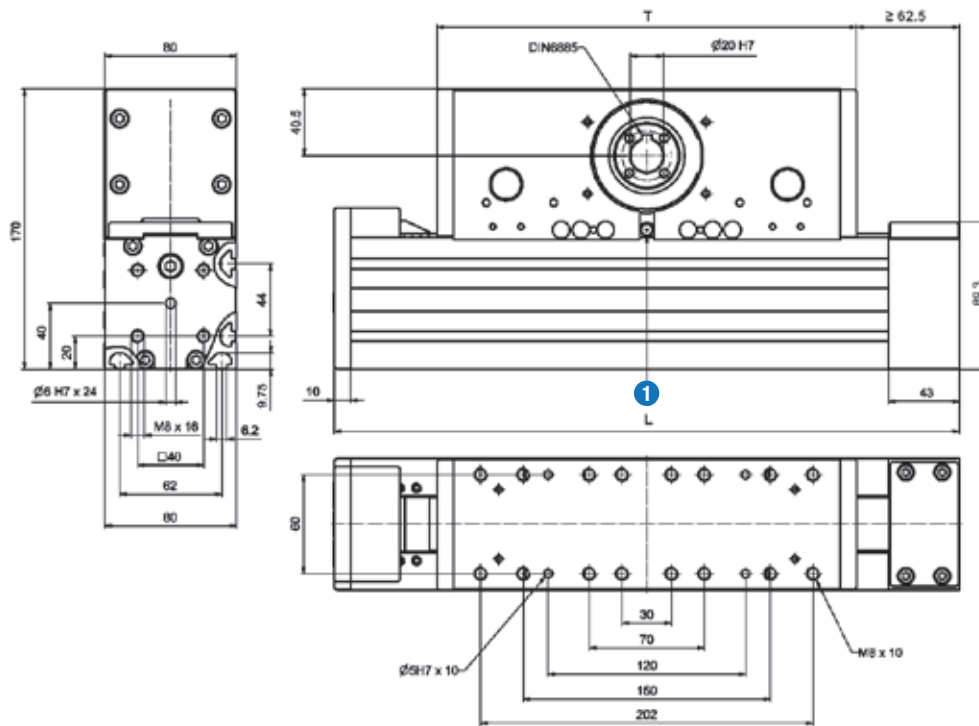
<sup>1</sup> - Moment of inertia without gearbox

<sup>2</sup> - Greater length on request

Mass

Guiding system		Linear guide B	Track roller guide L
Basic mass (including slider mass)	kg	4,6	4,3
Mass per 100 mm stroke	kg	0,5	0,4
Slider mass	kg	2,7	2,6

# AXC80A



**T** = Table length

**S** = Stroke

**L** = T + S + 125 mm

① Re-greasing possibility on both sides

## Technical data

Guiding system		Linear guide B	Track roller guide L
Table length T	mm	255	
Drive element		Toothed belt 32AT5	
Maximum velocity	m /min	300	900
Allowable dynamic operation load	N	870	
Stroke per revolution	mm	200 <sup>+0.4</sup>	
Idling speed torque	Nm	1,6	
Maximum drive torque	Nm	27,7	
Moment of inertia <sup>1</sup>	Kgcm <sup>2</sup>	5,0	
Geometrical moment of inertia (profile) I <sub>y</sub>	cm <sup>4</sup>	149,9	
Geometrical moment of inertia (profile) I <sub>z</sub>	cm <sup>4</sup>	199,2	
Maximum total length <sup>2</sup>	m	8,0 (one-piece)	
Repeatability	mm	0,05	

<sup>1</sup> - Moment of inertia without gearbox

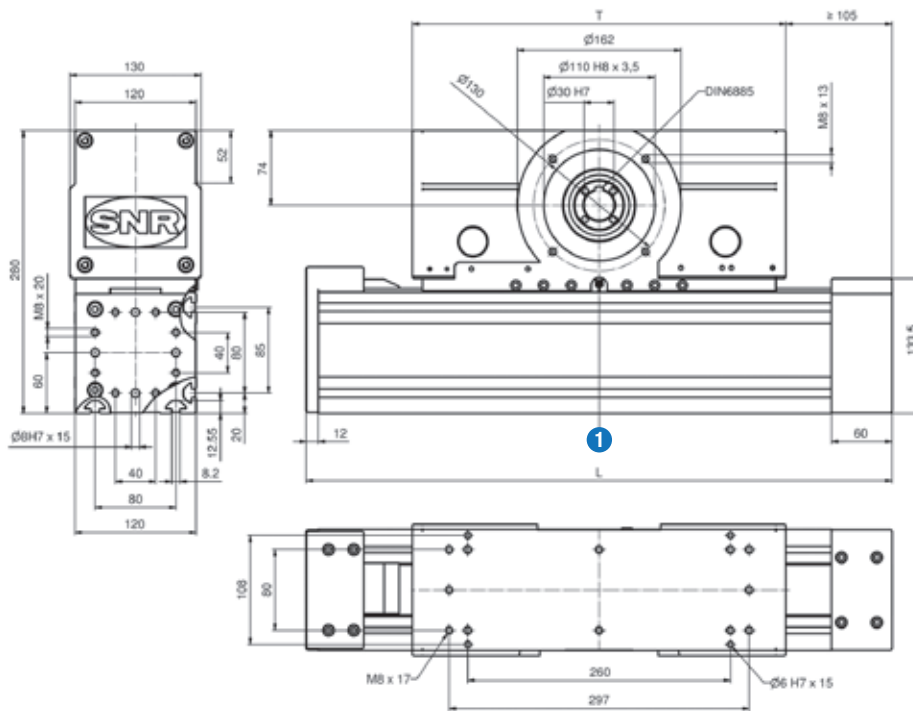
<sup>2</sup> - Greater length on request

## Mass

Guiding system		Linear guide B	Track roller guide L
Basic mass (including slider mass)	kg	10,6	10,0
Mass per 100 mm stroke	kg	0,8	0,7
Slider mass	kg	5,9	5,5



# AXC120A



**T** = Table length

**S** = Stroke

**L** = T + S + 210 mm

**1** Re-greasing possibility on both sides

## Technical data

Guiding system		Linear guide B	Track roller guide L
Table length T	mm	370	
Drive element		Toothed belt 50AT10	
Maximum velocity	m /min	300	900
Allowable dynamic operation load	N	2 500	
Stroke per revolution	mm	320 <sup>+0,5</sup>	
Idling speed torque	Nm	4,0	
Maximum drive torque	Nm	127	
Moment of inertia <sup>1</sup>	Kgcm <sup>2</sup>	73,7	
Geometrical moment of inertia (profile) I <sub>y</sub>	cm <sup>4</sup>	661,7	
Geometrical moment of inertia (profile) I <sub>z</sub>	cm <sup>4</sup>	938,6	
Maximum total length <sup>2</sup>	m	8,0 (one-piece)	
Repeatability	mm	0,05	

<sup>1</sup> - Moment of inertia without gearbox

<sup>2</sup> - Greater length on request

## Mass

Guiding system		Linear guide B	Track roller guide L
Basic mass (including slider mass)	kg	24,9	23,4
Mass per 100 mm stroke	kg	2,1	1,4
Slider mass	kg	13,0	12,8

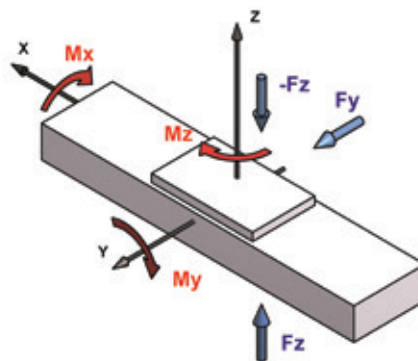
### 5.2.3.3 Maximum static load capacity

Type	Guiding system	Load [N]		Load moment [Nm]		
		$F_y$	$F_z$	$M_x$	$M_y$	$M_z$
AXC40A	B	1 300	1 300	5,9	45	36
AXC60A	B	9 650	9 650	66	350	350
	L	840	550	10	27	41
AXC80A	B	16 000	16 000	150	800	800
	L	3 400	3 400	60	110	110
AXC120A	B	28 500	28 500	365	2 750	2 750
	L	5 100	5 100	110	260	390

### 5.2.3.4 Dynamic load capacity

The dynamic load capacities of the guiding systems are based on a nominal life time of 50 000 km.

Type	Guiding system	Load [N]		Load moment [Nm]		
		$F_y$	$F_z$	$M_x$	$M_y$	$M_z$
AXC40A	B	850	850	4,0	30	30
AXC60A	B	2 800	2 800	19	100	100
	L	840	500	10	27	41
AXC80A	B	4 650	4 650	43	235	235
	L	3 400	2 300	60	110	170
AXC120A	B	9 500	9 500	120	925	925
	L	5 100	3 400	110	260	390



## 5.3 AXF Compact Axis

### 5.3.1 AXF\_Z Compact Axis with toothed belt drive

#### 5.3.1.1 Structure

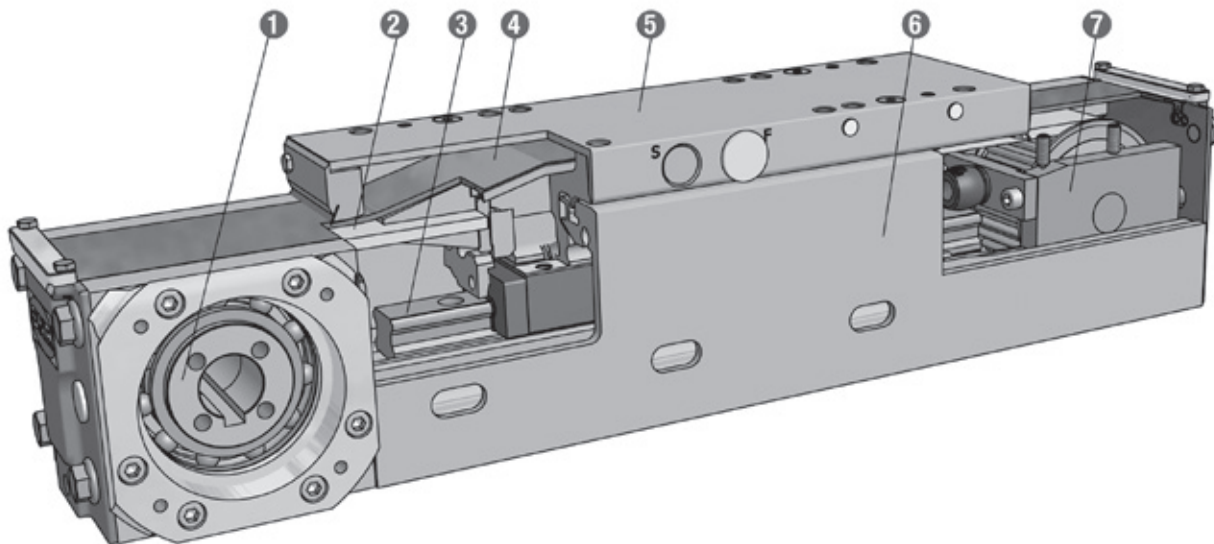
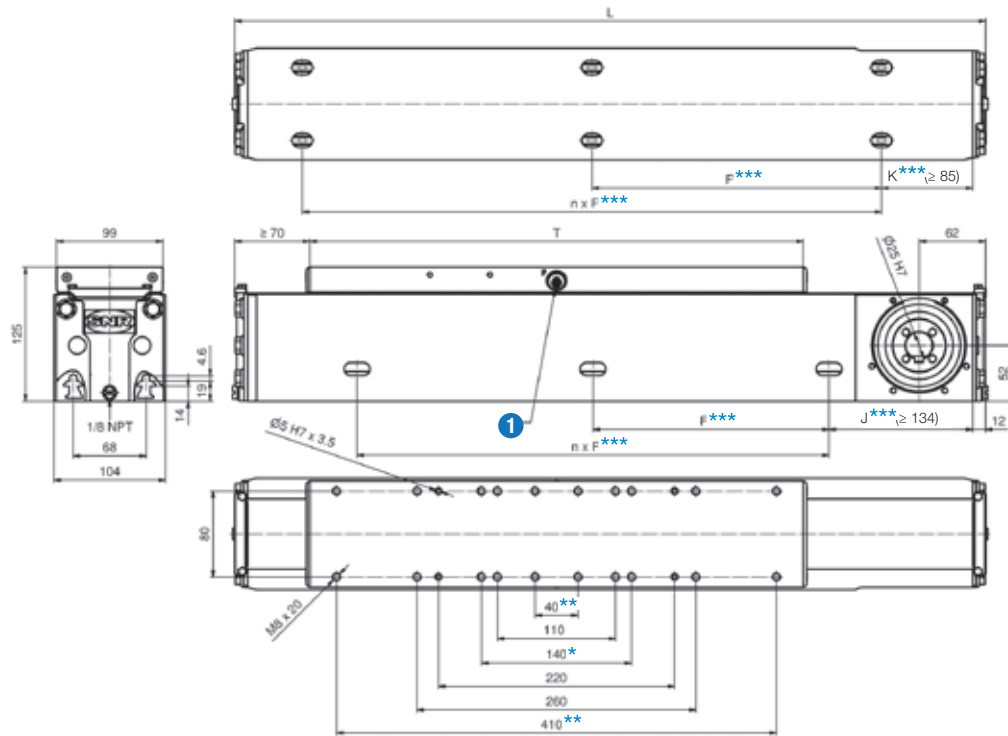


Figure 5.24 — Structure AXF\_Z

- ❶ Drive unit
- ❷ Toothed belt
- ❸ Guiding system
- ❹ Cover strip (optional)
- ❺ Slider unit
- ❻ Profile
- ❼ Deflection pulley

### 5.3.1.2 Dimensions / Technical data

#### AXF100Z



T = Table length

S = Stroke

L = T + S + 140 mm

① Re-greasing possibility on both sides

\*Guiding system B, D, P

\*\*Guiding system C

\*\*\*optional, Measures to specify as special option

#### Technical data

Type		Linear guide B	Linear guide C	Linear guide D	Polymer - Track roller guide P
Table length T	mm	320	460	320	
Drive element		Toothed belt 40STD8			
Maximum velocity	m /min	300			420
Allowable dynamic operation load	N	1 800			
Stroke per revolution	mm	264 <sup>+0,5</sup>			
Idling speed torque	Nm	3,1			
Maximum drive torque	Nm	75,7			
Moment of inertia <sup>1</sup>	Kgcm <sup>2</sup>	14,3			
Geometrical moment of inertia (profile) I <sub>y</sub>	cm <sup>4</sup>	381,3			
Geometrical moment of inertia (profile) I <sub>z</sub>	cm <sup>4</sup>	514,0			
Maximum total length <sup>2</sup>	m	6,0			
Repeatability	mm	0,05			

<sup>1</sup> - Moment of inertia without gearbox

<sup>2</sup> - Greater length on request

#### Mass

Guiding system		Linear guide B	Linear guide C	Linear guide D	Polymer - Track roller guide P
Basic mass (including slider mass)	kg	11,1	12,4	11,7	10,8
Mass per 100 mm stroke	kg	1,2	1,2	1,1	1,1
Slider mass	kg	2,6	3,9	3,2	2,6

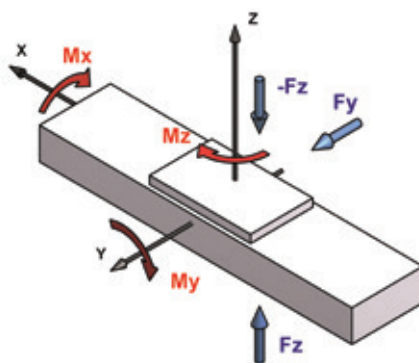
### 5.3.1.3 Maximum static load capacity

Type	Guiding system	Load [N]		Load moment [Nm]		
		$F_y$	$F_z$	$M_x$	$M_y$	$M_z$
AXF100Z	B	16 500	16 500	175	900	560
	C	16 500	16 500	175	2 100	1 260
	D	23 750	23 750	680	1 100	1 100
	P	180	360	13,5	19,5	10,0

### 5.3.1.4 Dynamic load capacity

The dynamic load capacities of the guiding systems are based on a nominal life time of 50 000 km for the guiding systems B, C and D and 10 000 km for the guiding system P.

Type	Guiding system	Load [N]		Load moment [Nm]		
		$F_y$	$F_z$	$M_x$	$M_y$	$M_z$
AXF100Z	B	5 000	5 000	52	275	275
	C	5 000	5 000	52	630	630
	D	7 000	7 000	200	325	325
	P	120	240	9,0	13,0	6,5



## 5.3.2 AXF\_S / AXF\_T / AXF\_G Compact Axis with screw drive

### 5.3.2.1 Structure

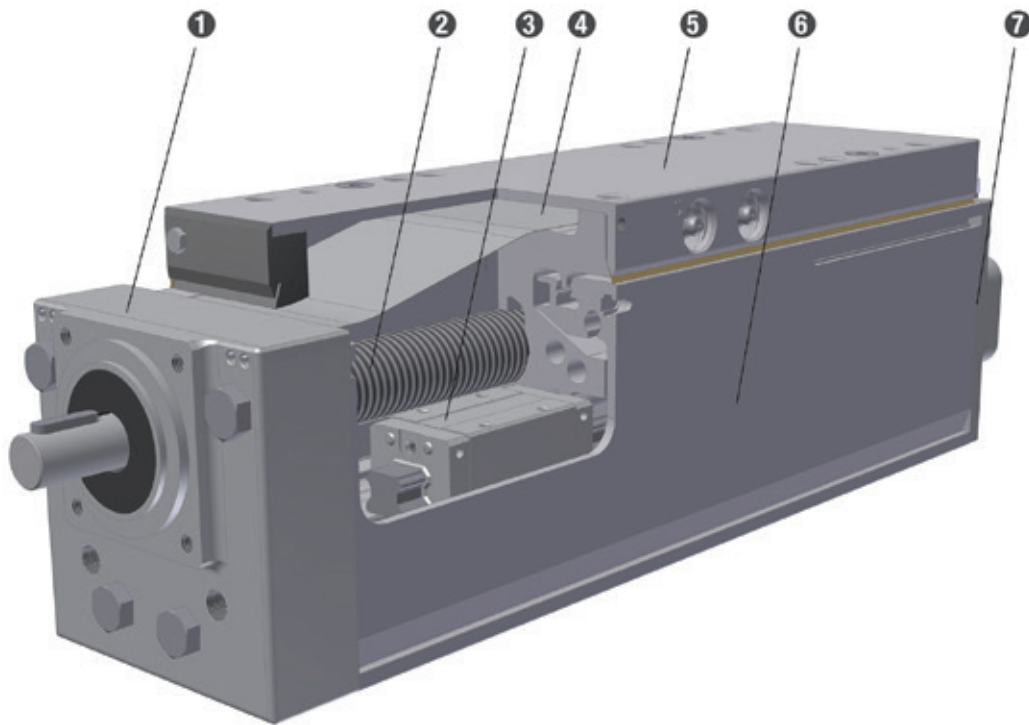
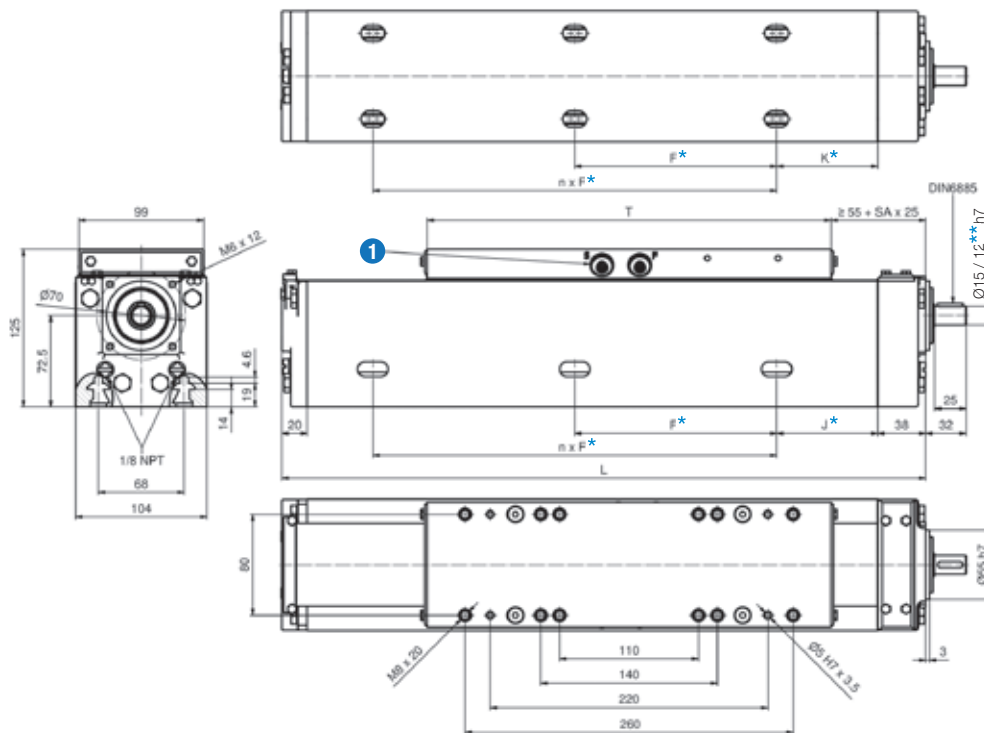


Figure 5.25 — Structure AXF\_S / AXF\_T / AXF\_G

- ① Fixed bearing unit
- ② Screw drive
- ③ Guiding system
- ④ Cover strip (optional)
- ⑤ Slider unit
- ⑥ Profile
- ⑦ Floating bearing unit

### 5.3.2.2 Dimensions / Technical data

#### AXF100S / AXF100T / AXF100G



**T** = Table length

**S** = Stroke

**n x SA** = Number of screw drive support units

$$L = T + S + 80 \text{ mm (+ n x SA x 50 mm)}$$

① Re-greasing possibility on both sides

\*Optional, Measures to specify as special option

\*\*For drive element G and T

#### Technical data

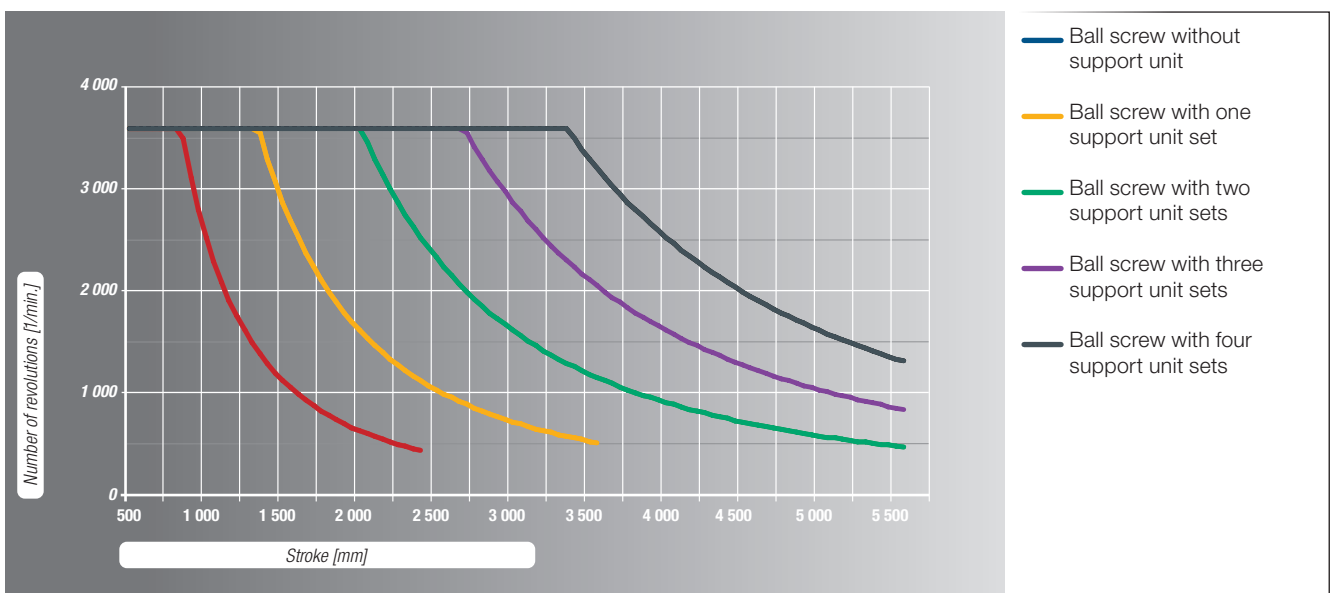
Type		SN2505	SN2510	SN2525	SN2550
Guiding system		Linear guide D			
Table length T	mm	320			
Drive element		Ball screw			
Screw diameter	mm	25			
Pitch / Pitch direction	mm	5 / right	10 / right	25 / right	50 / right
Maximum velocity	m/min	24	48	120	150
Pitch accuracy	µm/300mm	52			
Dynamic load rating of the ball screw	N	19 800	16 100	12 100	15 400
Idling speed torque	Nm	0,3...2,0			
Maximum drive torque	Nm	5,2	10,0	27,0	50,0
Maximum axial operating load	N	6 000			
Moment of inertia	Kgcm <sup>2</sup> /m	2,62	2,82	2,62	2,25
Geometrical moment of inertia (profile) I <sub>y</sub>	cm <sup>4</sup>	338,7			
Geometrical moment of inertia (profile) I <sub>z</sub>	cm <sup>4</sup>	411,8			
Maximum total length	m	5,8		6,0	
Repeatability	mm	0,03			
Efficiency		0,93		0,98	

Type		TN2405	GN2030	GN2060	GN2090
Guiding system		Linear guide D	Polymer - Track roller guide P		
Table length T	mm	320			
Drive element		Trapezoidal screw	Sliding screw		
Screw diameter	mm	24	20		
Pitch / Pitch direction	mm	5 / right	30 / right	60 / right	90 / right
Maximum velocity	m /min	8,9	41	120	180
Pitch accuracy	$\mu\text{m}/300\text{mm}$	50	100		
Idling speed torque	Nm	0,3...2,0			
Maximum drive torque	Nm	4,3	5,7	13,0	19,0
Maximum axial operating load	N	5 200	2 400	1 600	1 600
Maximum dynamic load	Nm/min	2 000	6 900	13 900	20 900
Moment of inertia	$\text{Kgcm}^2/\text{m}$	1,5	0,35		
Geometrical moment of inertia (profile) $I_y$	$\text{cm}^4$	338,7			
Geometrical moment of inertia (profile) $I_z$	$\text{cm}^4$	411,8			
Maximum total length	m	6,0	3,0		
Percentage of surface contact area (nut)	mm	0,03			
Repeatability		0,41	0,73	0,81	0,79

### Mass

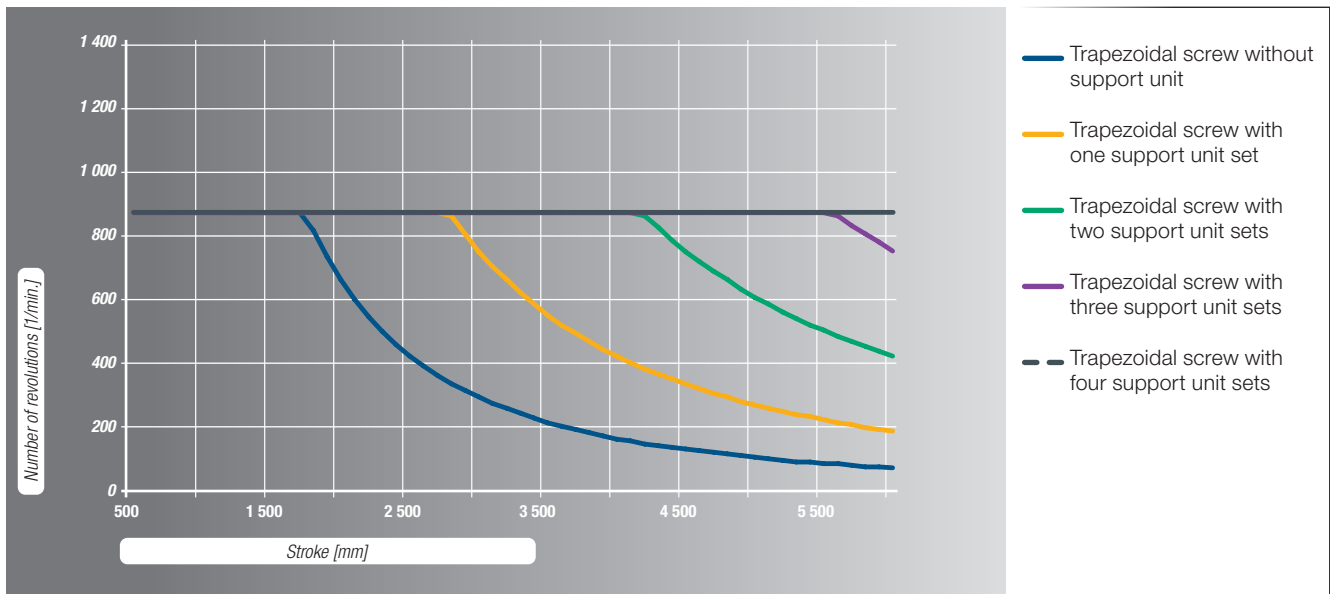
Guiding system		Linear guide D	Polymer – Track roller guide P
Basic mass (including slider mass)	kg	12,0	9,3
Mass per 100 mm stroke	kg	1,6	13,3
Slider mass	kg	2,7	2,5

### Allowable rotational speed of the ball screw

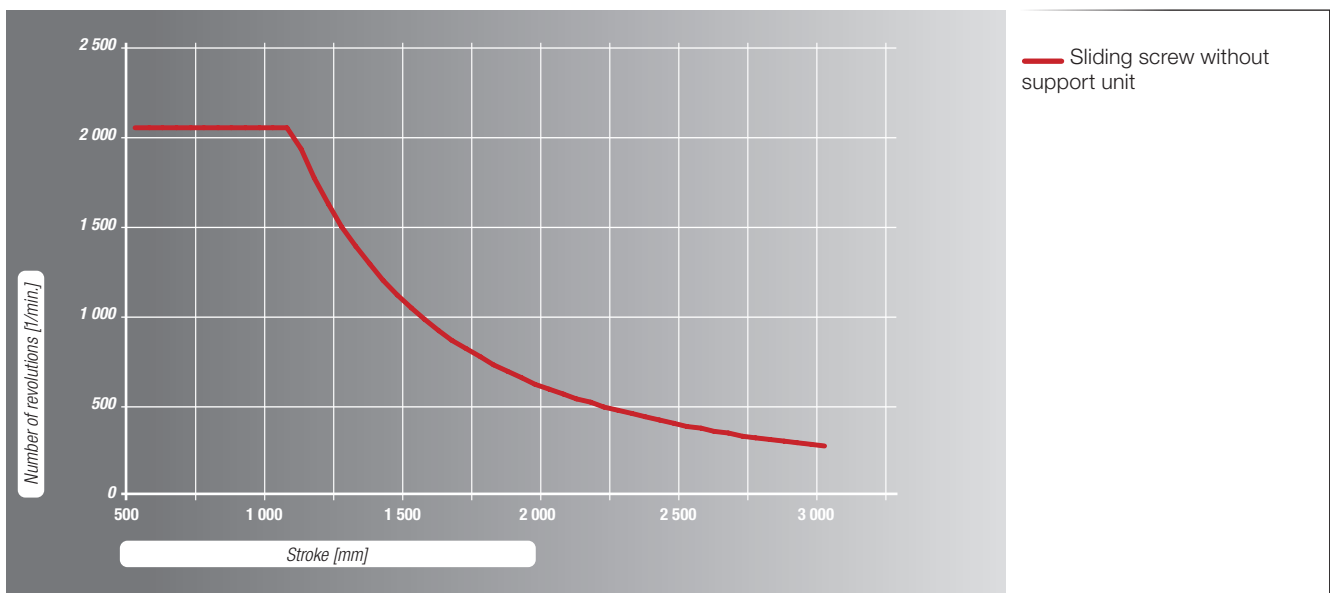




### Allowable rotational speed of the trapezoidal screw

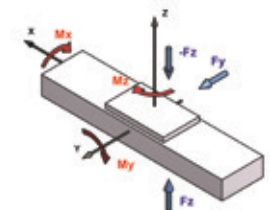


### Allowable rotational speed of the trapezoidal screw



### 5.3.2.3 Maximum static load capacity

Type	Guiding system	Load [N]		$M_x$	Load moment [Nm]	
		$F_y$	$F_z$		$M_y$	$M_z$
AXF100S AXF100T AXF100G	D	15 900	15 900	450	1 600	1 600
	P	180	360	13,5	19,5	10,0



### 5.3.2.4 Dynamic load capacity

The dynamic load capacities of the guiding systems are based on a nominal life time of 25 000 km for the guiding systems B, C and D and 10 000 km for the guiding systems P.

Type	Guiding system	Load [N]		$M_x$	Load moment [Nm]	
		$F_y$	$F_z$		$M_y$	$M_z$
AXF100S AXF100T AXF100G	D	5 850	5 850	170	600	600
	P	120	240	9,0	13,0	6,5

## 5.4 AXDL Parallel Axis

### 5.4.1 AXDL\_Z Parallel Axis with toothed belt drive

#### 5.4.1.1 Structure

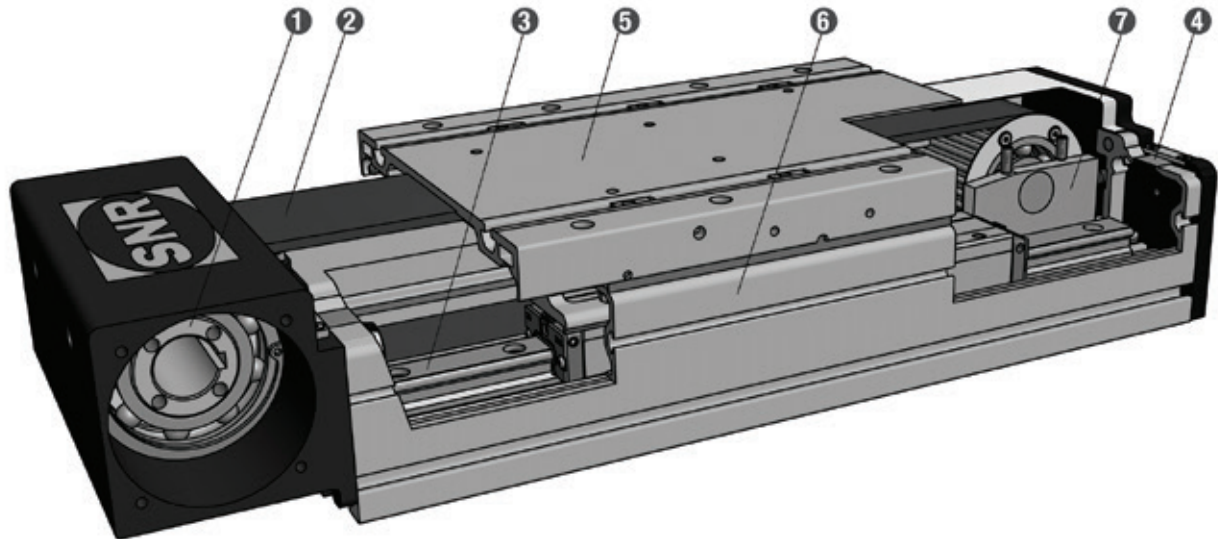
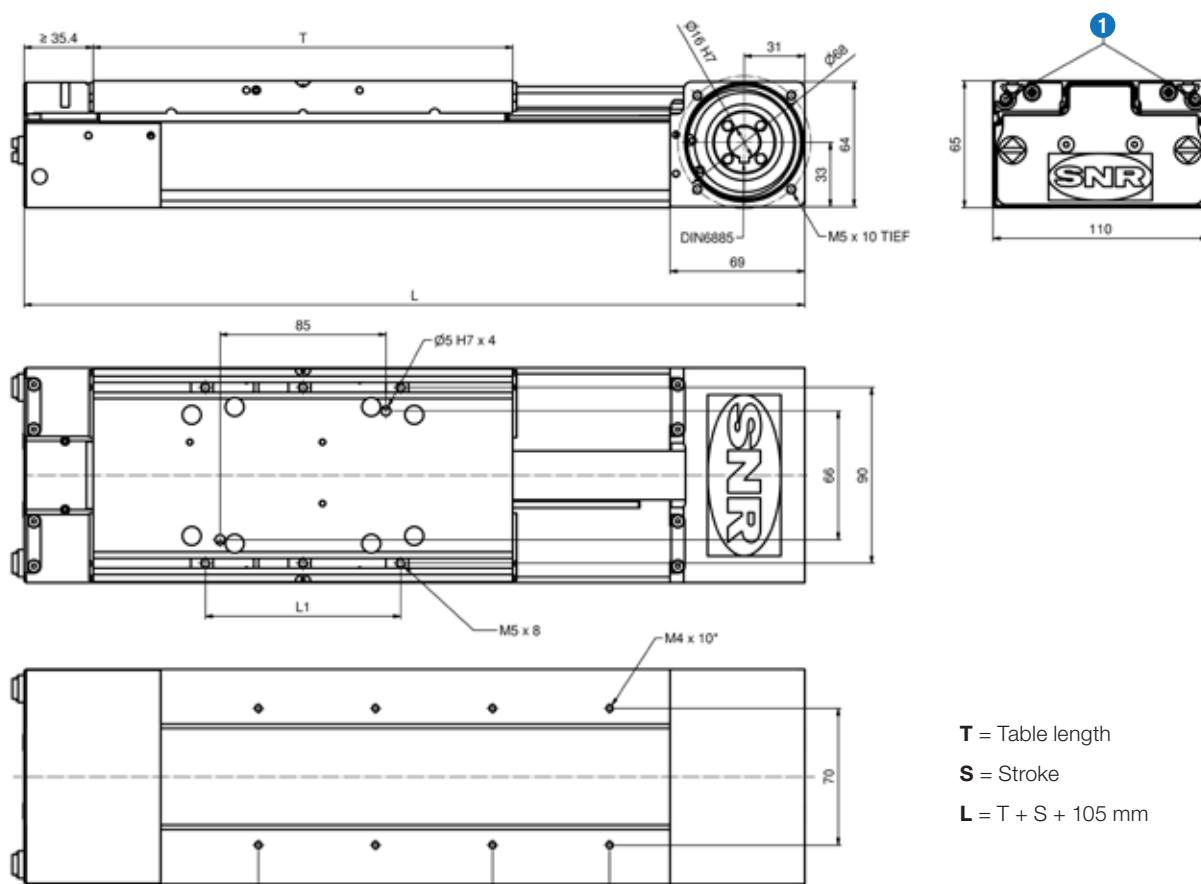


Figure 5.26 — Structure AXDL\_Z

- ① Drive unit
- ② Toothed belt
- ③ Guiding system
- ④ Cover strip
- ⑤ Slider unit
- ⑥ Profile
- ⑦ Deflection pulley (AXDL110Z with deflection pulley head)

## 5.4.1.2 Dimensions / Technical data

### AXDL110Z



T = Table length  
 S = Stroke  
 L = T + S + 105 mm

① Re-greasing possibility on both sides

\* Optional, note dimensions as a special specification

#### Technical data

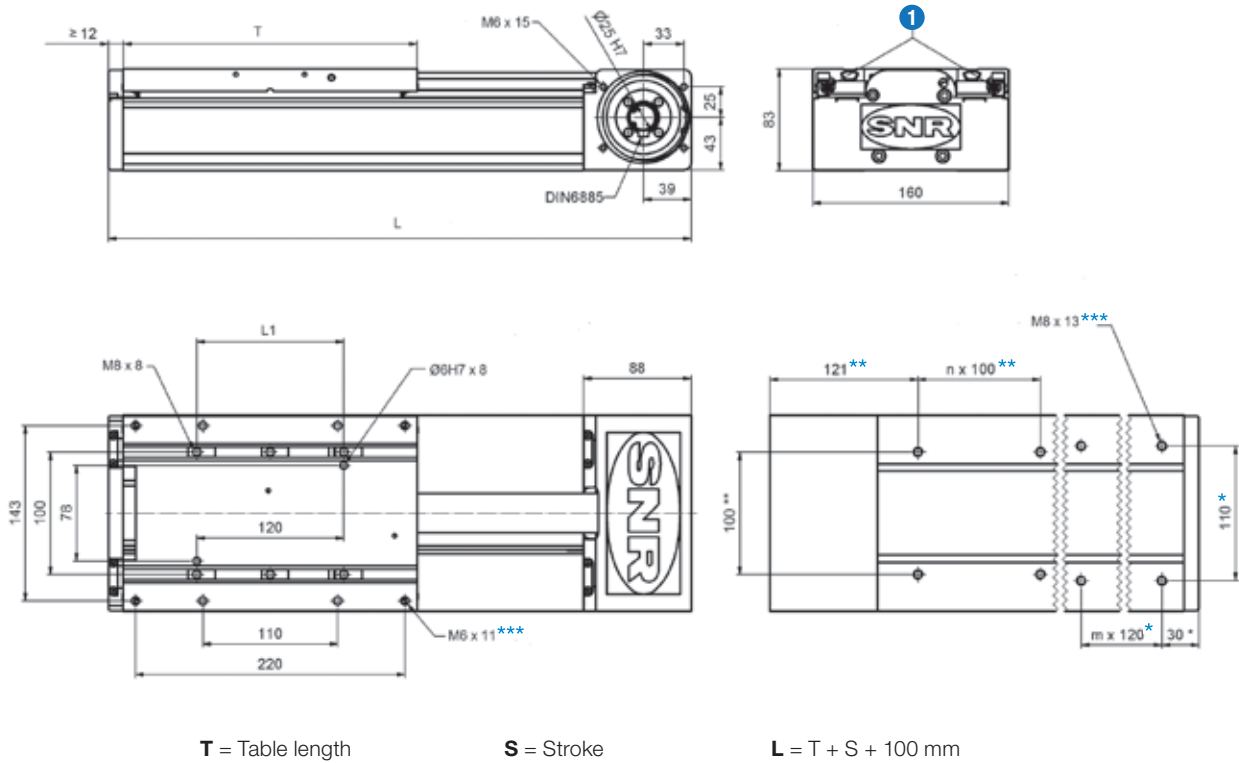
Guiding system		Linear guide D
Table length T	mm	215
Distance of the sliding blocks L1		≤ 200 mm (recommended 100 mm)
Drive element		Toothed belt 25STD5
Maximum velocity	m /min	300
Allowable dynamic operation load	N	980
Stroke per revolution	mm	170 <sup>+0,5</sup>
Idling speed torque	Nm	1,7
Maximum drive torque	Nm	26,5
Moment of inertia <sup>1</sup>	Kgcm <sup>2</sup>	1,4
Geometrical moment of inertia (profile) I <sub>y</sub>	cm <sup>4</sup>	37,45
Geometrical moment of inertia (profile) I <sub>z</sub>	cm <sup>4</sup>	138,31
Maximum total length	m	6,1
Repeatability	mm	0,05

<sup>1</sup> - Moment of inertia without gearbox

#### Mass

Guiding system		Linear guide D
Basic mass (including slider mass)	kg	3,8
Mass per 100 mm stroke	kg	0,7
Slider mass	kg	0,9

# AXDL160Z



① Re-greasing possibility on both sides

\* Guiding system D: optional hole pattern, note dimensions as a special specification  
 \*\* Guiding system L: optional hole pattern, note dimensions as a special specification  
 \*\*\* Optional, note dimensions as a special specification

## Technical data

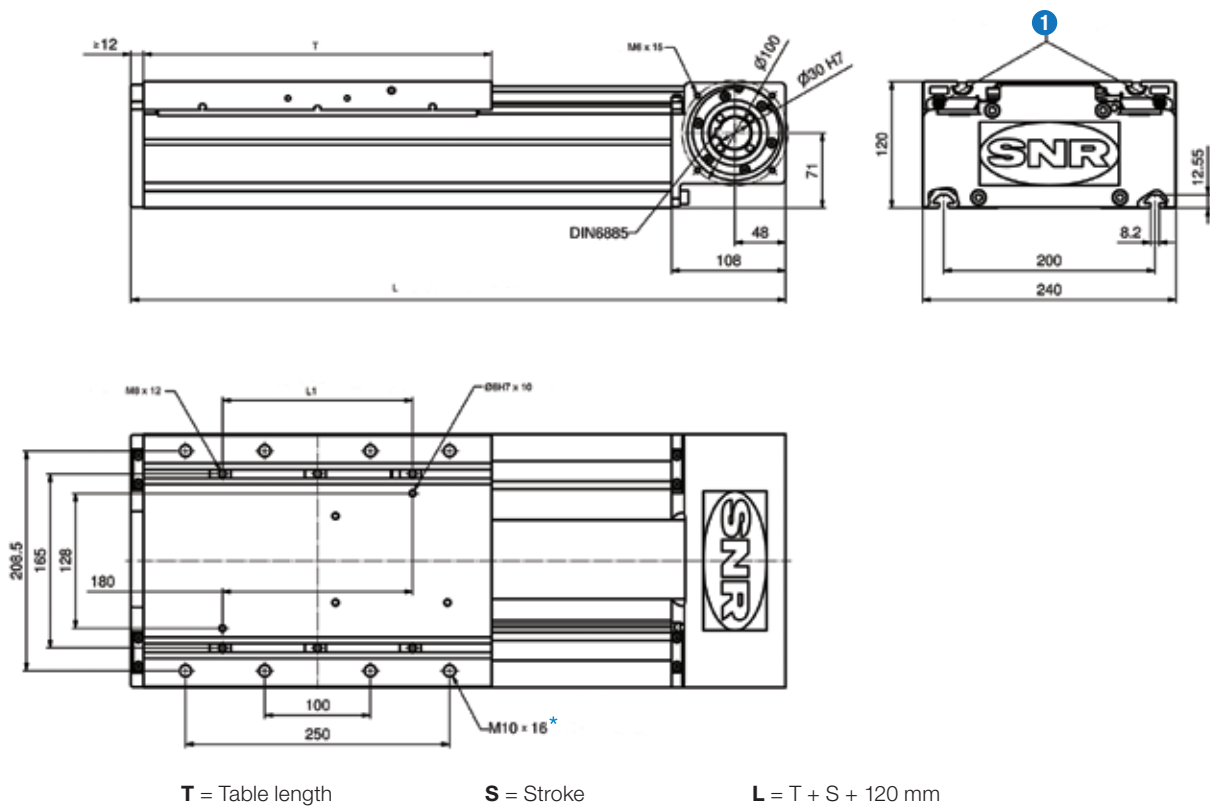
Guiding system		Linear guide D	Track roller guide L
Table length T	mm	240	280
Distance of the sliding blocks L1 (optional M6 threaded plate as special specification possible)		≤ 220 mm (recommended 120 mm)	≤ 280 mm (recommended 120 mm)
Drive element		Toothed belt 32STD8	
Maximum velocity	m /min	300	900
Allowable dynamic operation load	N	1 830	
Stroke per revolution	mm	216 <sup>+0,5</sup>	
Idling speed torque	Nm	3,6	
Maximum drive torque	Nm	62,9	
Moment of inertia <sup>1</sup>	Kgcm <sup>2</sup>	5,8	
Geometrical moment of inertia (profile) I <sub>y</sub>	cm <sup>4</sup>	140,3	
Geometrical moment of inertia (profile) I <sub>z</sub>	cm <sup>4</sup>	666,8	
Maximum total length	m	6,1	
Repeatability	mm	0,05	

<sup>1</sup> - Moment of inertia without gearbox

## Mass

Guiding system		Linear guide D	Track roller guide L
Basic mass (including slider mass)	kg	11,9	11,7
Mass per 100 mm stroke	kg	1,3	0,9
Slider mass	kg	3,6	3,6

**AXDL240Z**



**1** Re-greasing possibility on both sides

\* Optional, note dimensions as a special specification

Technical data

Guiding system		Linear guide D	Linear guide E	Track roller guide L
Table length T	mm	330	500	330
Distance of the sliding blocks L1 (optional M10 threaded plate as special specification possible)		≤ 310 mm (recommended 180 mm)	≤ 480 mm (recommended 350 mm)	≤ 310 mm (recommended 180 mm)
Drive element		Toothed belt 75STD8		
Maximum velocity	m /min	300		900
Allowable dynamic operation load	N	5 000		
Stroke per revolution	mm	264 <sup>+0,5</sup>		
Idling speed torque	Nm	6,5		
Maximum drive torque	Nm	210,0		
Moment of inertia <sup>1</sup>	Kgcm <sup>2</sup>	24,3		
Geometrical moment of inertia (profile) I <sub>y</sub>	cm <sup>4</sup>	751,7		
Geometrical moment of inertia (profile) I <sub>z</sub>	cm <sup>4</sup>	3 956,0		
Maximum total length	m	6,35		
Repeatability	mm	0,05		

<sup>1</sup> - Moment of inertia without gearbox

Mass

Guiding system		Linear guide D	Linear guide E	Track roller guide L
Basic mass (including slider mass)	kg	24,9	28,0	24,3
Mass per 100 mm stroke	kg	2,7	2,7	2,2
Slider mass	kg	5,7	8,8	6,6

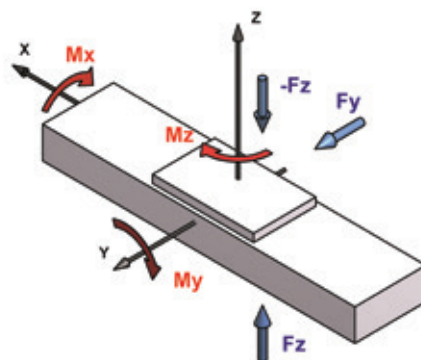
### 5.4.1.3 Maximum static load capacity

Type	Guiding system	Load [N]		Load moment [Nm]		
		$F_y$	$F_z$	$M_x$	$M_y$	$M_z$
AXDL110Z	D	7 900	7 900	275	375	375
AXDL160Z	D	32 000	32 000	1 600	1 650	1 650
	L	1 200	1 200	62	84	84
AXDL240Z	D	42 500	42 500	3 550	3 900	3 900
	E	42 500	42 500	3 550	8 750	8 750
	L	2 600	2 600	220	210	210

### 5.4.1.4 Dynamic load capacity

The dynamic load capacities of the guiding systems are based on a nominal life time of 50 000 km.

Type	Guiding system	Load [N]		Load moment [Nm]		
		$F_y$	$F_z$	$M_x$	$M_y$	$M_z$
AXDL110Z	D	2 300	2 300	80	110	110
AXDL160Z	D	9 000	9 000	475	475	475
	L	1 200	1 200	62	84	84
AXDL240Z	D	12 500	12 500	1 050	1 200	1 200
	E	12 500	12 500	1 200	2 500	2 500
	L	2 600	2 600	220	210	210



## 5.4.2 AXDL\_S / T Parallel Axis with screw drive

### 5.4.2.1 Structure

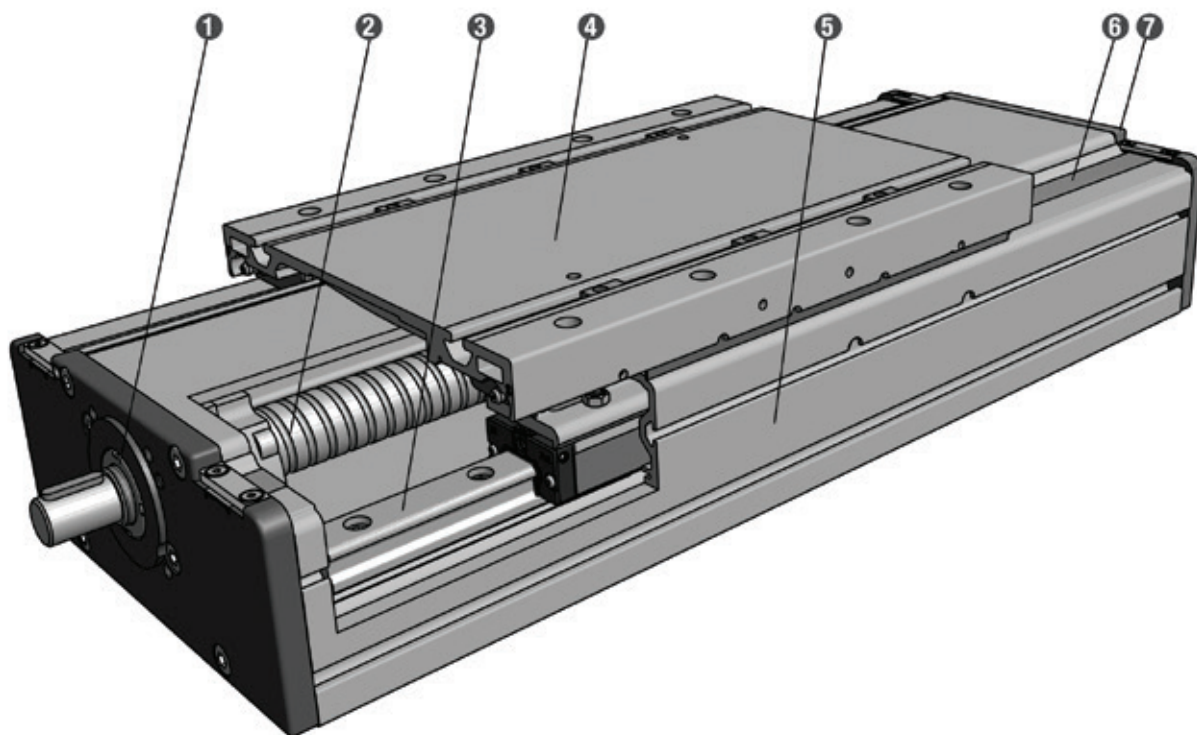
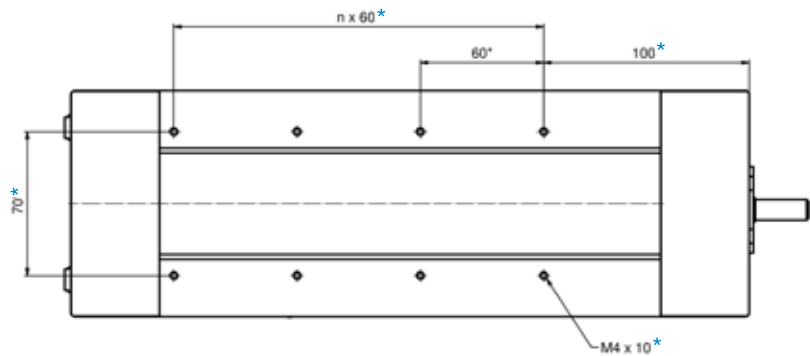
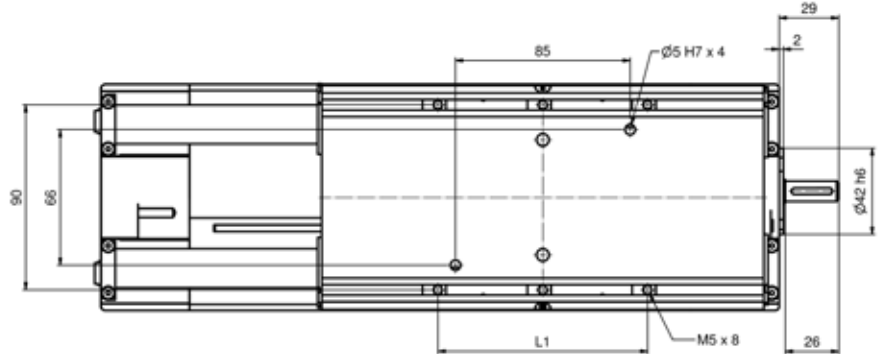
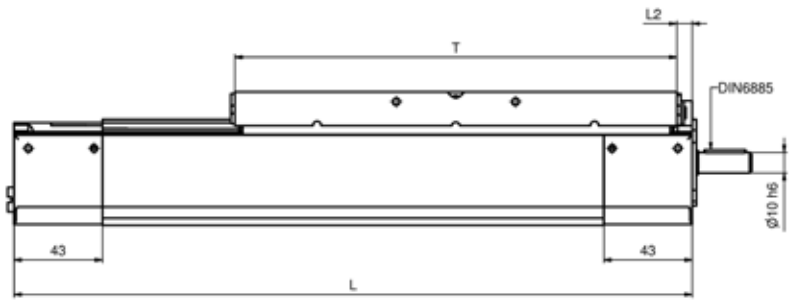
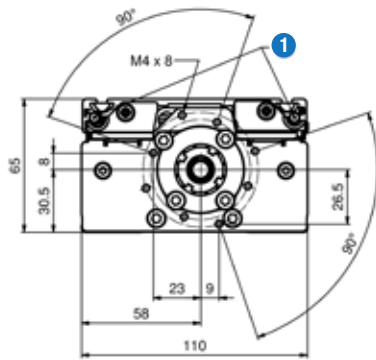


Figure 5.27 — Structure AXDL\_S / AXDL\_T

- ① Fixed bearing unit
- ② Screw drive
- ③ Guiding system
- ④ Slider unit
- ⑤ Profile
- ⑥ Cover strip
- ⑦ Floating bearing unit

## 5.4.2.2 Dimensions / Technical data

### AXDL110S / AXDL110T



T = Table length

S = Stroke

n x SA = Number of screw drive support units

L = T + S + 15 mm  
(+ 44 mm with 3 x SA / + 88 mm with 4 x SA)

① Re-greasing possibility on both front sides

\* Optional, note dimensions as a special specification

#### Technical data

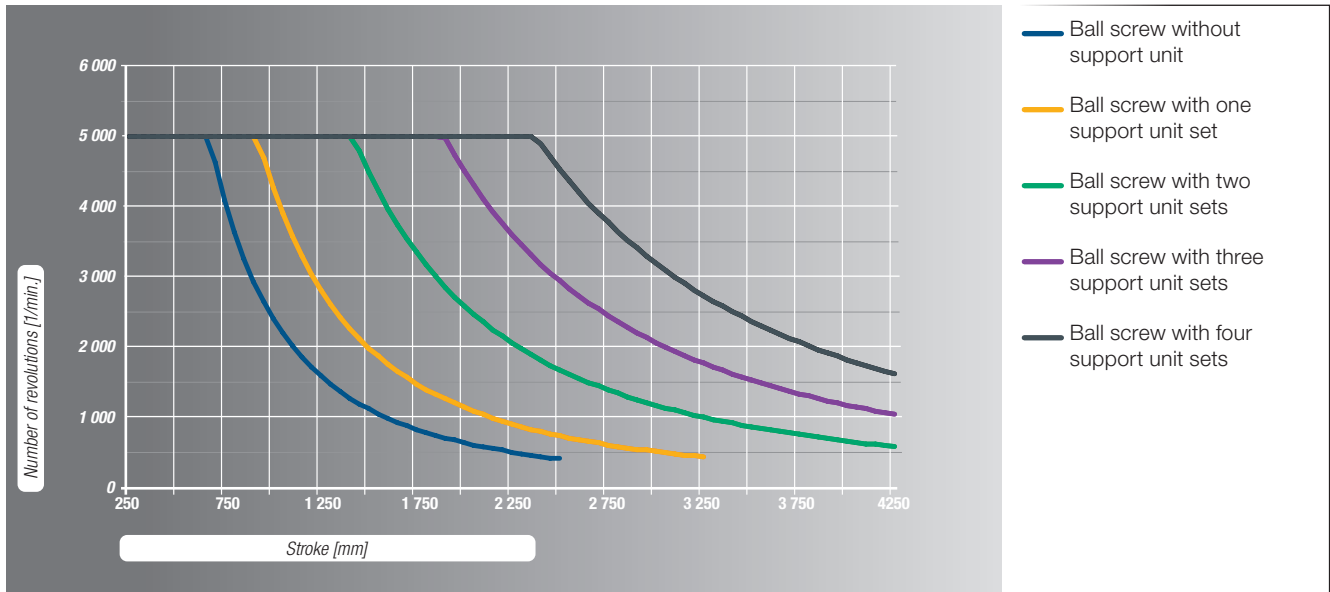
Type		SN1605	SN1610	SN1616	TN1604	TN1608
Guiding system		Linear guide D and E				
Table length T	mm	Linear guide D: 215 / Linear guide E: 275				
Distance of the sliding blocks L1	mm	≤ 200 mm (recommended 120 mm)				
Length of the floating bearing L2	mm	≥ 7,5 mm + 22mm with 3 x SA / + 54 mm with 4 x SA				
Drive element		Ball screw			Trapezoidal screw	
Screw diameter	mm	16				
Pitch / Pitch direction	mm	5 / right, left	10 / right	16 / right	4 / right, left	8 / right
Maximum velocity	m /min	30	60	96	5,5	10,9
Pitch accuracy	µm/300mm	52			50	100
Dynamic load rating of the ball screw	N	13 300	8 230	5 400	-	
Idling speed torque	Nm	0,8				
Maximum drive torque	Nm	1,1	2,2	3,6	1,9	2,9
Maximum axial operating load	N	1 400				
Moment of inertia	Kgcm <sup>2</sup> /m	0,31		0,34	0,3	
Geometrical moment of inertia (profile) I <sub>y</sub>	cm <sup>4</sup>	37,45				
Geometrical moment of inertia (profile) I <sub>z</sub>	cm <sup>4</sup>	138,31				
Maximum total length	m	4,5			3,0	
Repeatability	mm	0,03			0,07	
Efficiency		0,91	0,97	0,98	0,35	0,52

#### Mass

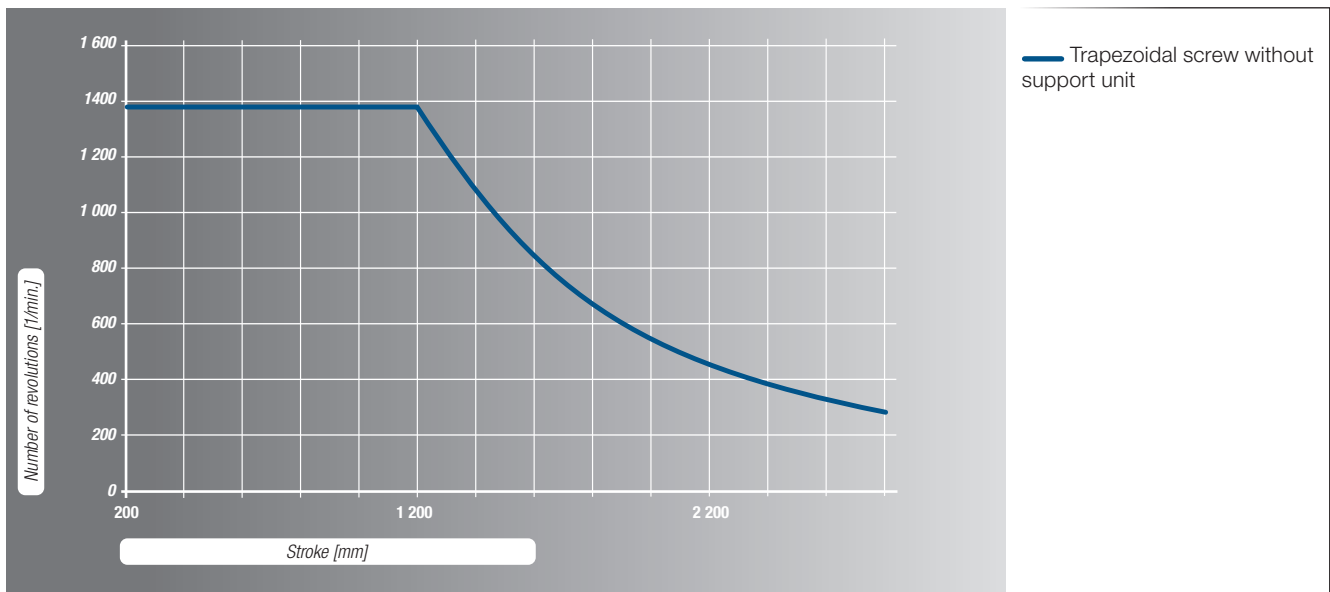
Guiding system		Linear guide D	Linear guide E
Basic mass (including slider mass)	kg	3,8	5,0
Mass per 100 mm stroke	kg	0,7	0,7
Slider mass	kg	0,9	1,7



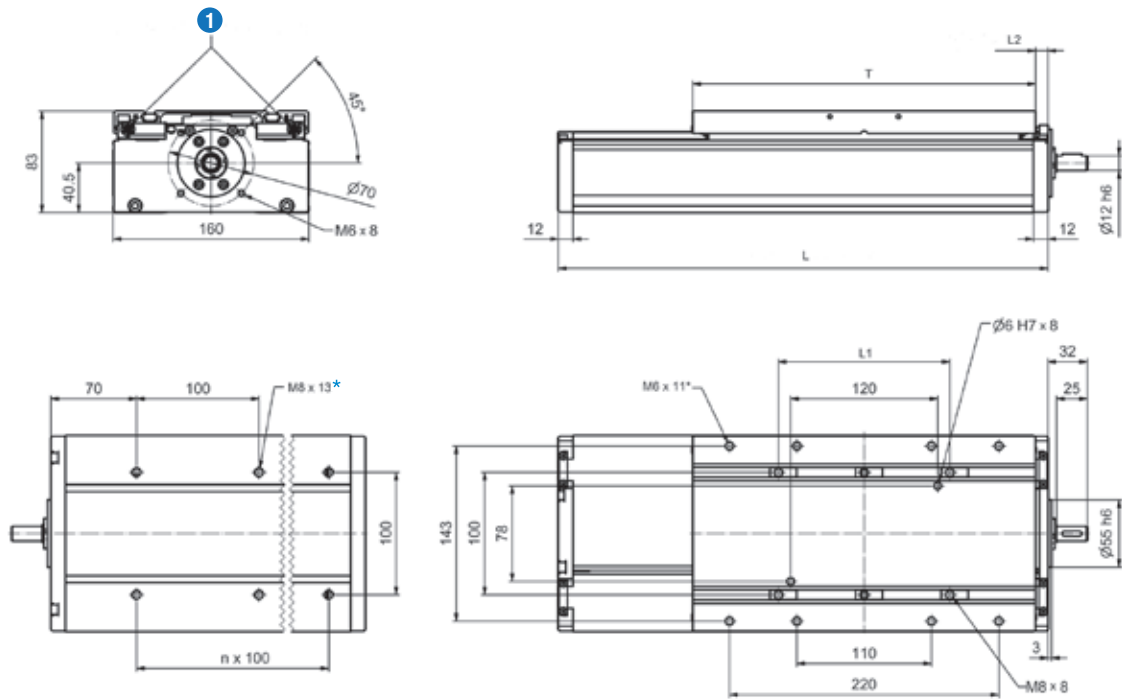
### Allowable rotational speed of the ball screw



### Allowable rotational speed of the trapezoidal screw



# AXDL160S / AXDL160T



**T** = Table length

**S** = Stroke

**n x SA** = Number of screw drive support units

**L** = T + S + 20 mm (+ 65 mm with 2 x SA / + 165 mm with 3 x SA / + 265 mm with 4 x SA)

① Re-greasing possibility on both front sides

\* Optional, note dimensions as a special specification

## Technical data

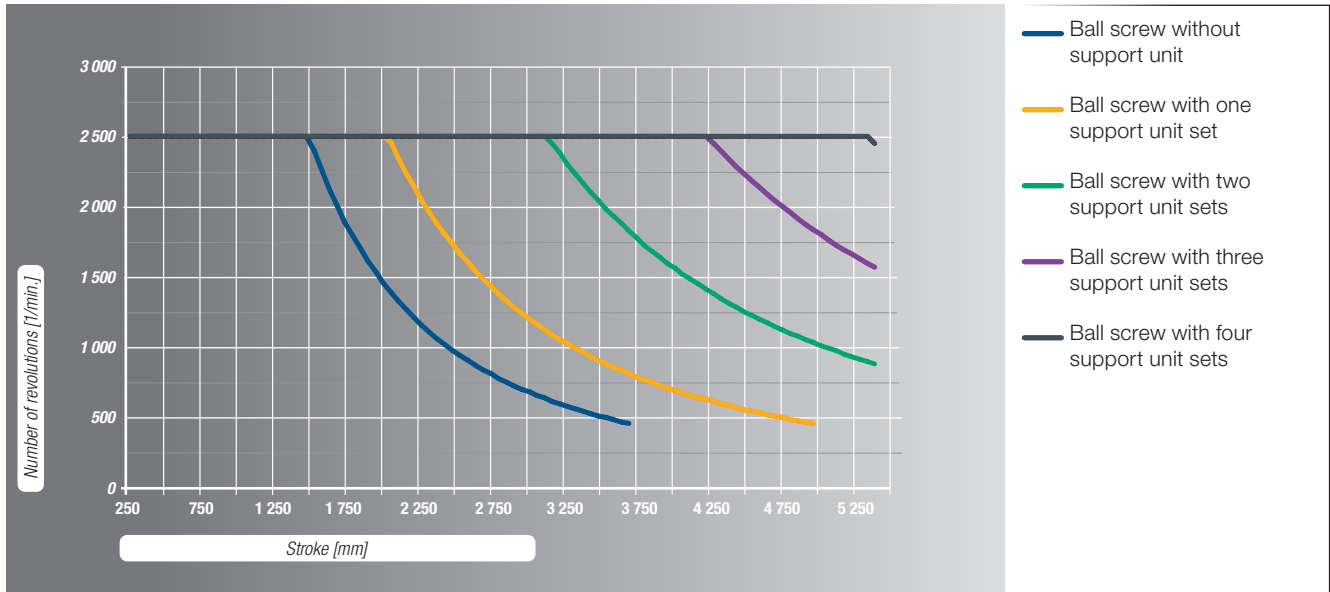
Type		SN2505	SN2510	SN2525	SN2550	TN2405	TN2410
Guiding system		Linear guide D					
Table length T	mm	280					
Distance of the sliding blocks L1 <sup>1</sup>		≤ 250 mm (recommended 140 mm)					
Length of the floating bearing L2	mm	≥ 10 mm + 25 mm with 2 x SA / + 75 mm with 3 x SA / + 125 mm with 4 x SA					
Drive element		Ball screw				Trapezoidal screw	
Screw diameter	mm	25				24	
Pitch / Pitch direction	mm	5 / right	10 / right	25 / right	50 / right	5 / right, left	10 / right
Maximum velocity	m / min	30	60	120	150	4,4	8,9
Pitch accuracy	µm/300mm	52				50	200
Dynamic load rating of the ball screw	N	19 800	16 100	12 100	15 400	-	
Idling speed torque	Nm	0,3...2,0					
Maximum drive torque	Nm	2,5	4,9	12,0	25,0	6,0	9,0
Maximum axial operating load	N	3 100					
Moment of inertia	Kgcm <sup>2</sup> /m	2,62	2,82	2,62	2,25	1,5	
Geometrical moment of inertia (profile) I <sub>y</sub>	cm <sup>4</sup>	140,3					
Geometrical moment of inertia (profile) I <sub>z</sub>	cm <sup>4</sup>	666,8					
Maximum total length	m	5,8				3,5	
Repeatability	mm	0,03				0,07	
Efficiency		0,98				0,41	0,58

<sup>1</sup> - Moment of inertia without gearbox

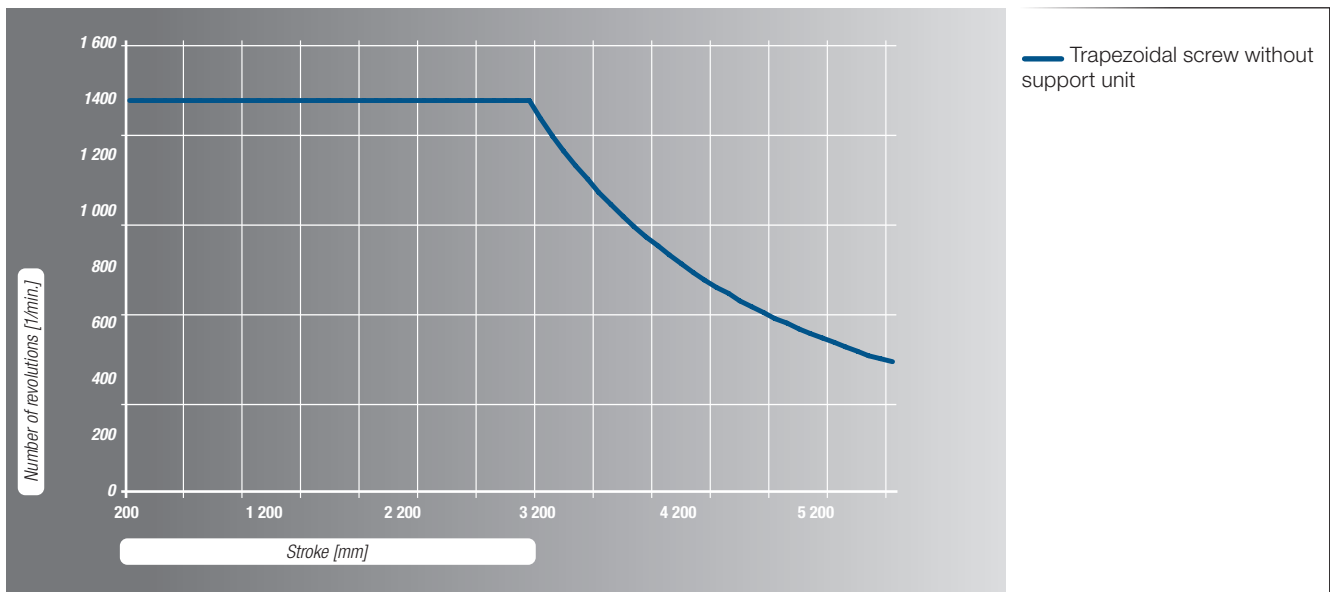
## Mass

Guiding system		Linear guide D
Basic mass (including slider mass)	kg	9,7
Mass per 100 mm stroke	kg	1,4
Slider mass	kg	4,2

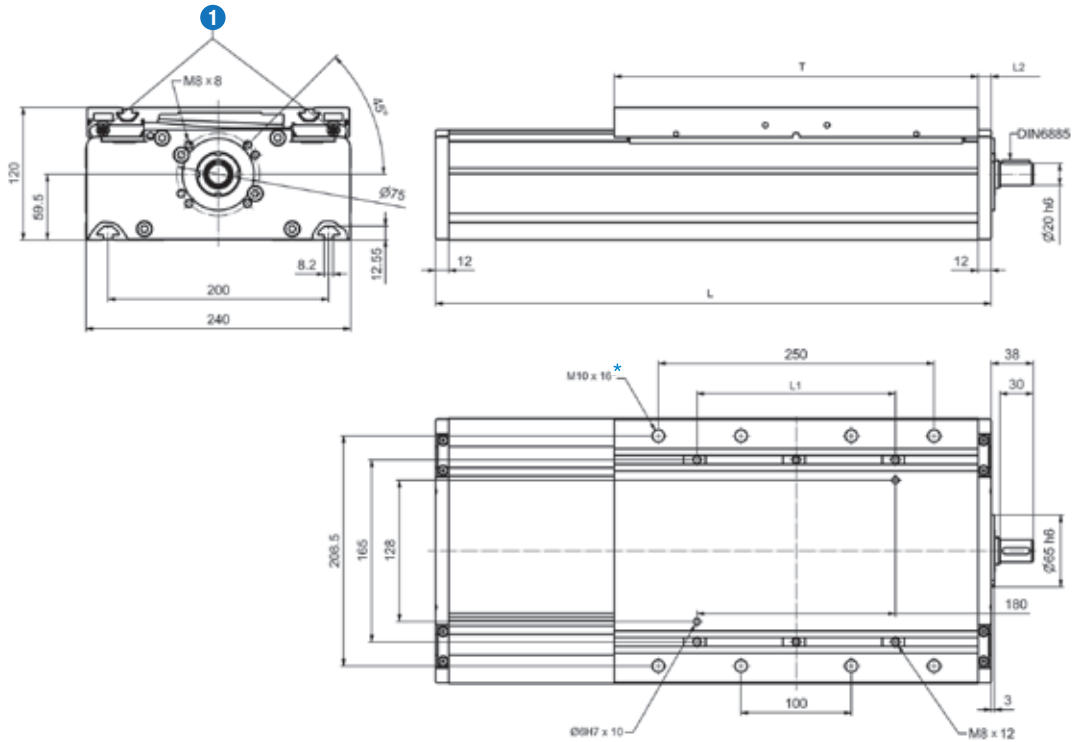
### Allowable rotational speed of the ball screw



### Allowable rotational speed of the trapezoidal screw



# AXDL240S / AXDL240T



**T** = Table length                      **S** = Stroke                      **n x SA** = Number of screw drive support units  
 Guiding system D: **L** = T + S + 24 mm (+ 50 mm with 2 x SA / + 150 mm with 3 x SA / + 250 mm with 4 x SA)  
 Guiding system E: **L** = T + S + 24 mm (+ 70 mm with 4 SA)

① Re-greasing possibility on both front sides

\* Optional, note dimensions as a special specification

## Technical data

Type		SN*/SV3205	SN*/SV3210	SN*/SV3220	SN*/SV3232	TN*/TV3606	TN*/TV3612
Guiding system		Linear guide D and E					
Table length T	mm	Linear guide D: 330 / Linear guide E: 500					
Distance of the sliding blocks L1 <sup>1</sup>		≤ 310 mm (recommended 180 mm)					
Length of the floating bearing L2	mm	Guiding system D: ≥ 12 mm + 50 mm with 3 x SA / + 100 mm with 4 x SA Guiding system E: ≥ 12 mm + 35 mm with 4 SA					
Drive element		Ball screw				Trapezoidal screw	
Screw diameter	mm	32				36	
Pitch / Pitch direction	mm	5 / right	10 / right	20 / right	32 / right	6 / right, left	12 / right
Maximum velocity	m / min	23	47	94	150	3,5	6,9
Pitch accuracy	µm/300mm	52				50	200
Dynamic load rating of the ball screw	N	26 000	34 700	24 300	18 000	-	
Idling speed torque	Nm	1,5...2,0					
Maximum drive torque	Nm	6,4	13,0	26,0	41,0	22,0	30,0
Maximum axial operating load	N	8 100					
Moment of inertia	Kgcm <sup>2</sup> /m	6,05	6,40	6,39	6,17	9,00	
Geometrical moment of inertia (profile) I <sub>y</sub>	cm <sup>4</sup>	761,7					
Geometrical moment of inertia (profile) I <sub>z</sub>	cm <sup>4</sup>	3 956,0					
Maximum total length	m	5,5			5,0	6,0	
Repeatability	mm	0,03				0,07	
Efficiency		0,91	0,97	0,98		0,35	0,52

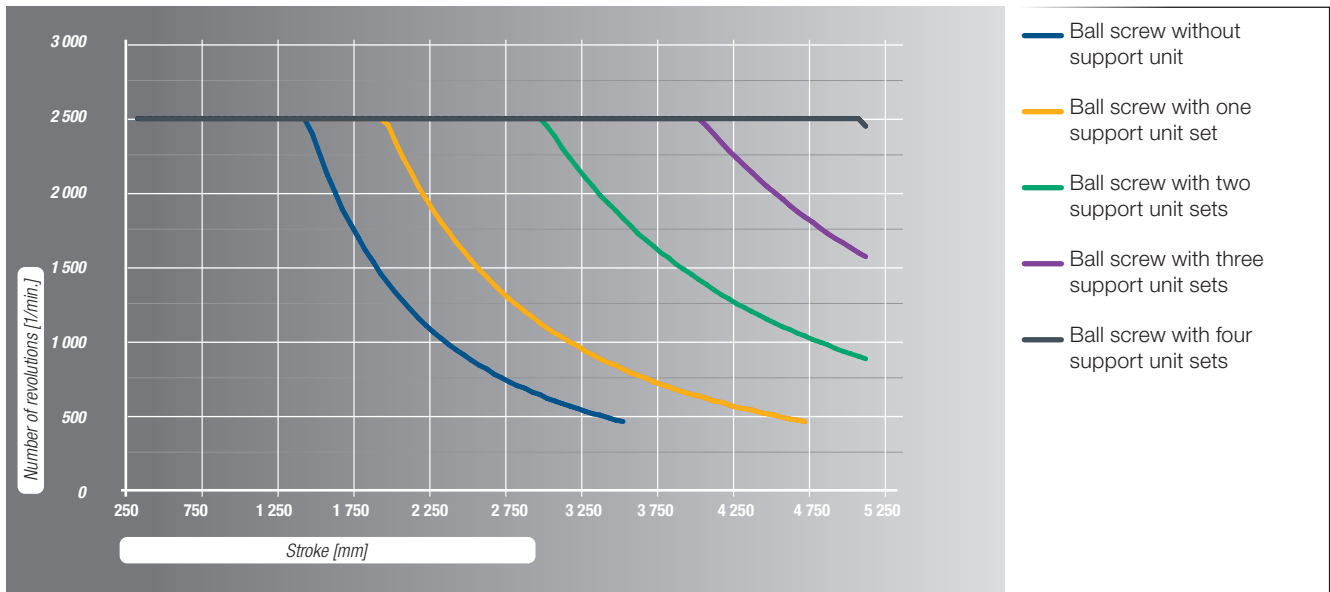
\* Discontinued type, please do not use anymore

<sup>1</sup> - Optional M10 threaded plate as special specification possible

## Mass

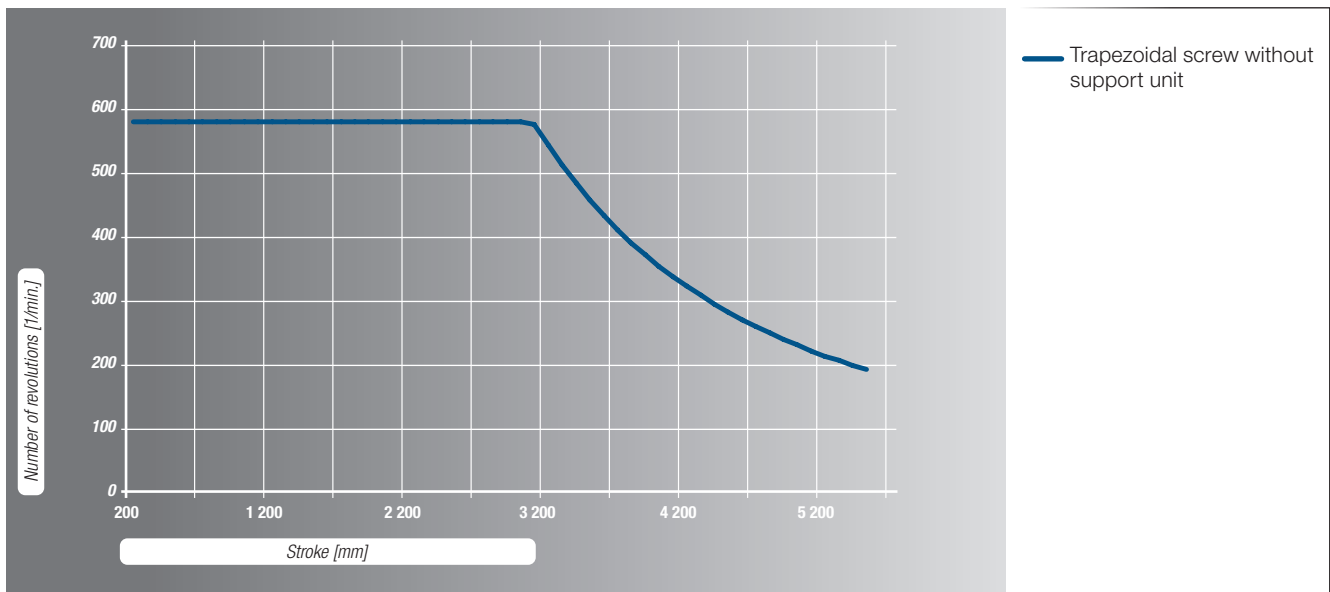
Guiding system		Linear guide D	Linear guide E
Basic mass (including slider mass)	kg	22,1	29,0
Mass per 100 mm stroke	kg	3,1	3,1
Slider mass	kg	6,4	8,2

### Allowable rotational speed of the ball screw



The version AXDL240SN3205 is not available with spindle supports units.

### Allowable rotational speed of the trapezoidal screw



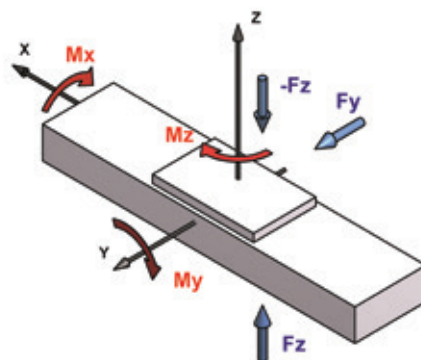
### 5.4.2.3 Maximum static load capacity

Type	Guiding system	Load [N]		Load moment [Nm]		
		$F_y$	$F_z$	$M_x$	$M_y$	$M_z$
AXDL110S AXDL110T	D	7 900	7 900	275	375	375
	E	19 200	19 200	670	1 250	1 250
AXDL160S AXDL160T	D	32 000	32 000	1 600	2 200	2 200
AXDL240S AXDL240T	D	42 500	42 500	3 550	3 950	3 950
	E	51 000	51 000	4 300	8 750	8 750

### 5.4.2.4 Dynamic load capacity

The dynamic load capacities of the guiding systems are based on a nominal life time of 25 000 km.

Type	Guiding system	Load [N]		Load moment [Nm]		
		$F_y$	$F_z$	$M_x$	$M_y$	$M_z$
AXDL110S AXDL110T	D	2 900	2 900	100	140	140
	E	7 100	7 100	250	470	470
AXDL160S AXDL160T	D	11 500	11 500	575	800	800
AXDL240S AXDL240T	D	16 000	16 000	1 350	1 500	1 500
	E	18 000	18 000	1 500	3 100	3 100



## 5.4.3 AXDL\_A Parallel Axis with tooth belt - $\Omega$ - drive

### 5.4.3.1 Structure

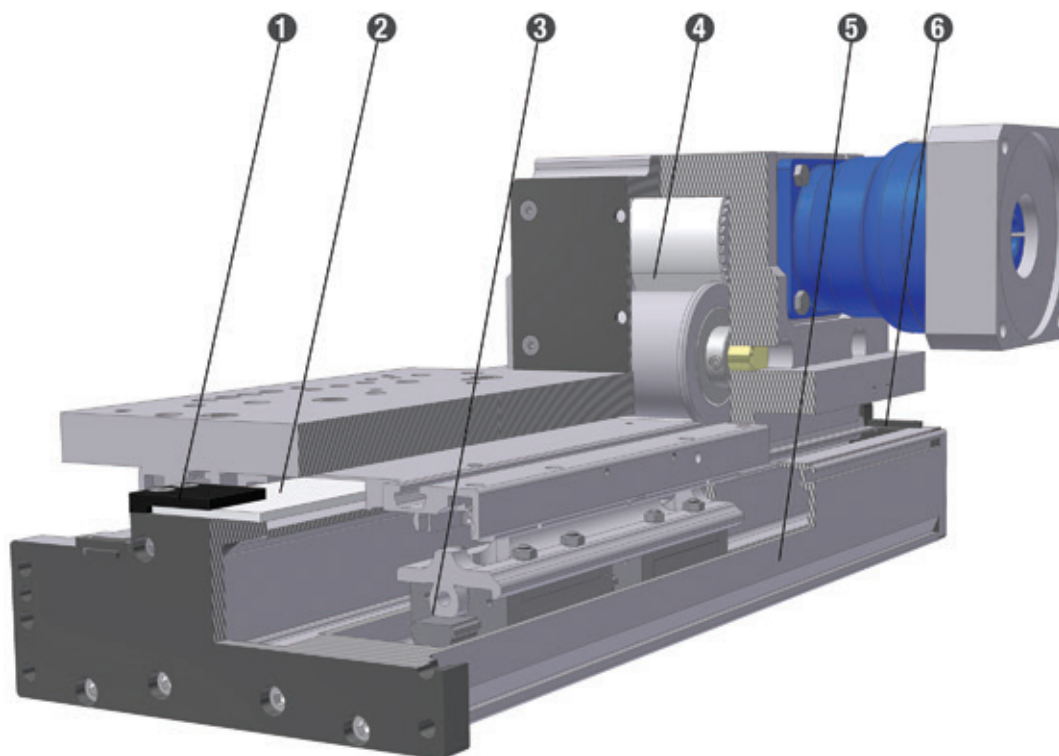
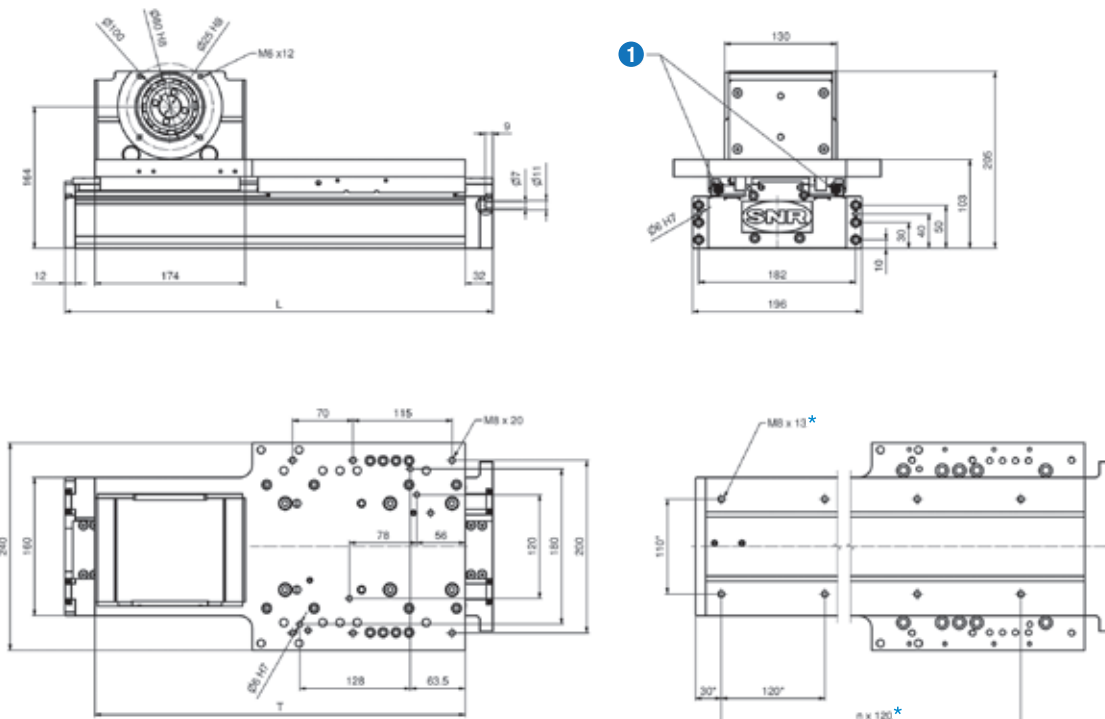


Figure 5.28 — Structure AXDL\_A

- ❶ Toothed belt clamping
- ❷ Toothed belt
- ❸ Guiding system
- ❹ Operating head
- ❺ Profile
- ❻ Toothed belt tension unit

### 5.4.3.2 Dimensions / Technical data

#### AXDL160A



**T** = Table length

**S** = Stroke

Guiding system **D**:  $L = T + S + 67$  mm - Guiding system **L**:  $L = T + S + 87$  mm

① Re-greasing possibility on both sides

\* Optional, note dimensions as a special specification

#### Technical data

Guiding system		Linear guide D	Track roller guide L
Table length T	mm	429	
Drive element		Toothed belt 50STD5	
Maximum velocity	m /min	300	900
Allowable dynamic operation load	N	1 960	
Stroke per revolution	mm	210 <sup>+0.6</sup>	
Idling speed torque	Nm	3,6	
Maximum drive torque	Nm	65,5	
Moment of inertia <sup>1</sup>	Kgcm <sup>2</sup>	11,6	
Geometrical moment of inertia (profile) I <sub>y</sub>	cm <sup>4</sup>	140,3	
Geometrical moment of inertia (profile) I <sub>z</sub>	cm <sup>4</sup>	666,8	
Maximum total length <sup>2</sup>	m	6,04 (1,2 <sup>2</sup> )	
Repeatability	mm	0,05	

<sup>1</sup> - Moment of inertia without gearbox

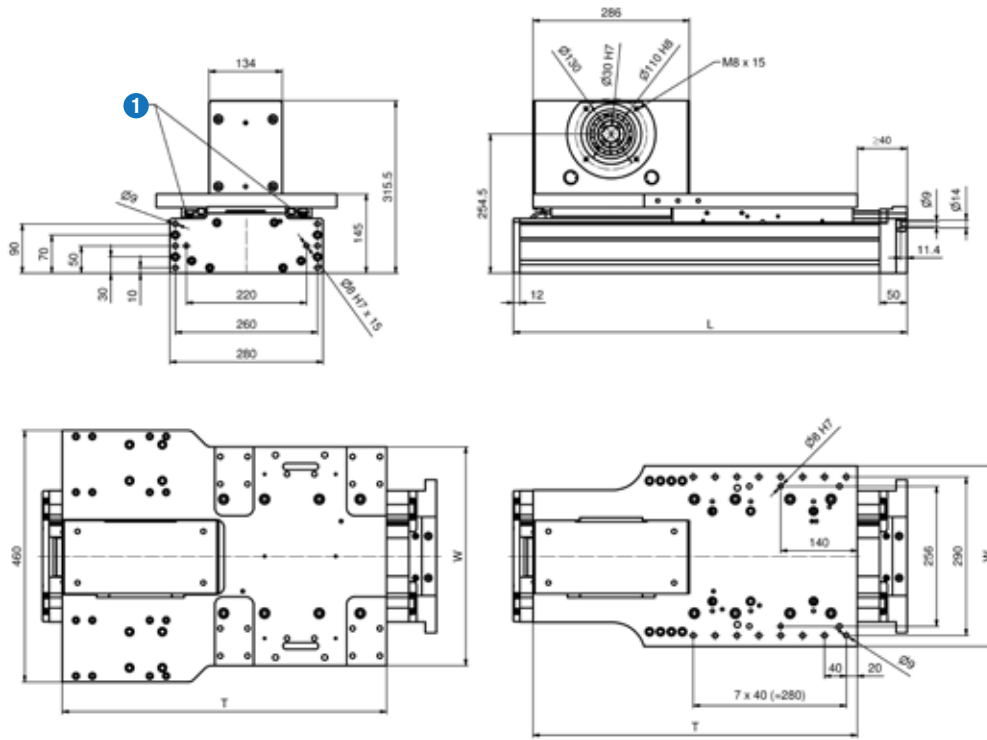
<sup>2</sup> - Maximum length with improved straightness according Chapter 2.10

#### Mass

Guiding system		Linear guide D	Track roller guide L
Basic mass (including slider mass)	kg	29,2	18,1
Mass per 100 mm stroke	kg	1,3	0,9
Slider mass	kg	12,3	12,3



# AXDL240A



**T** = Table length

**S** = Stroke

**L** = T + S + 27 mm

**1** Re-greasing possibility on both sides

## Technical data

Guiding system		Linear guide D	Track roller guide L
Table length T	mm	593	
Table width W	mm	330 at adaptation to AXDL240Z / 400 at adaptation to AXS280	
Drive element		Toothed belt 70STD8	
Maximum velocity	m /min	300	900
Allowable dynamic operation load	N	4 000	
Stroke per revolution	mm	264 <sup>+0,5</sup>	
Idling speed torque	Nm	6,5	
Maximum drive torque	Nm	168,0	
Moment of inertia <sup>1</sup>	Kgcm <sup>2</sup>	34,8	
Geometrical moment of inertia (profile) I <sub>y</sub>	cm <sup>4</sup>	751,7	
Geometrical moment of inertia (profile) I <sub>z</sub>	cm <sup>4</sup>	3 956,0	
Maximum total length	m	6,28 (1,6 <sup>2</sup> )	
Repeatability	mm	0,05	

<sup>1</sup> - Moment of inertia without gearbox

<sup>2</sup> - Maximum length with improved straightness according Chapter 2.10

## Mass

Guiding system		Linear guide D	Track roller guide L
Basic mass (including slider mass)	kg	54,1	53,9
Mass per 100 mm stroke	kg	2,7	2,2
Slider mass	kg	36,3	37,9

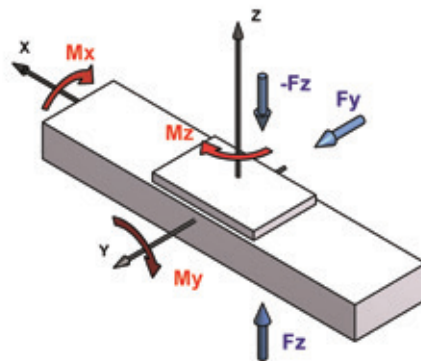
### 5.4.3.3 Maximum static load capacity

Type	Guiding system	Load [N]		Load moment [Nm]		
		$F_y$	$F_z$	$M_x$	$M_y$	$M_z$
AXDL160A	D	32 000	32 000	1 600	1 650	1 650
	L	1 200	1 200	62	84	84
AXDL240A	D	42 500	42 500	3 550	3 900	3 900
	L	2 600	2 600	220	210	210

### 5.4.3.4 Dynamic load capacity

The dynamic load capacities of the guiding systems are based on a nominal life time of 50 000 km.

Type	Guiding system	Load [N]		Load moment [Nm]		
		$F_y$	$F_z$	$M_x$	$M_y$	$M_z$
AXDL160A	D	9 000	9 000	475	475	475
	L	1 200	1 200	62	84	84
AXDL240A	D	12 500	12 500	1 050	1 200	1 200
	L	2 600	2 600	220	210	210



## 5.5 AXLT Linear Table Axis

### 5.5.1 AXLT\_S / T Linear Table Axis with screw drive

#### 5.5.1.1 Structure

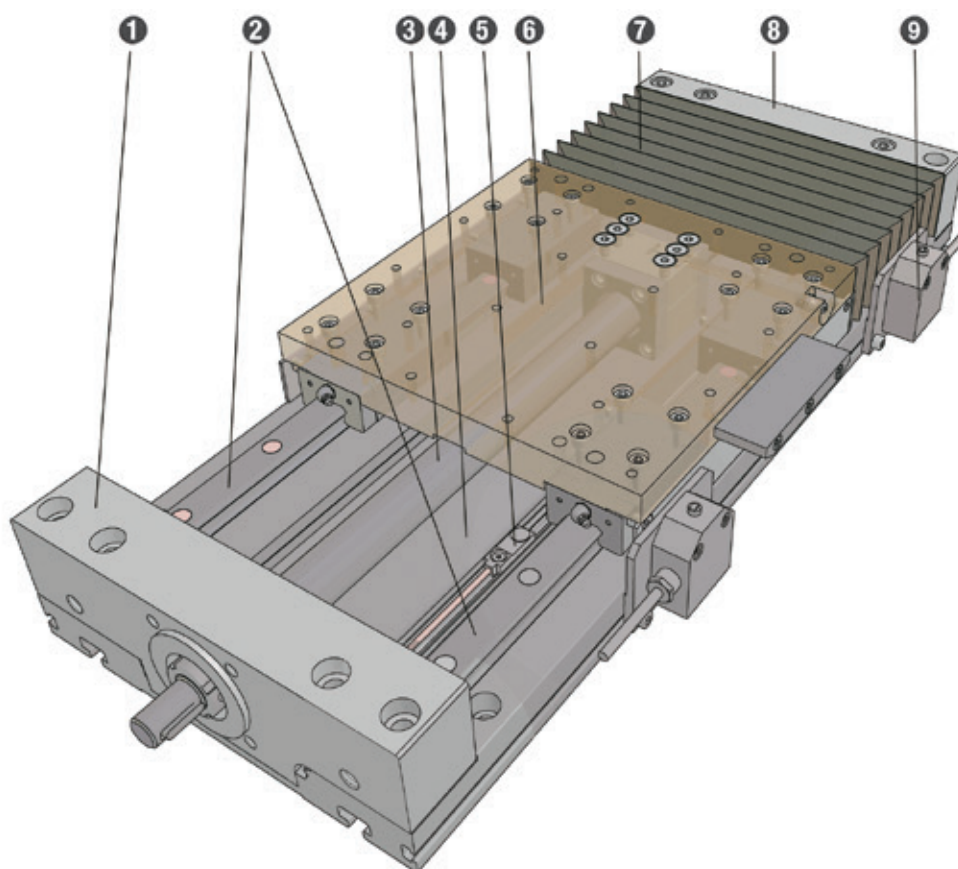
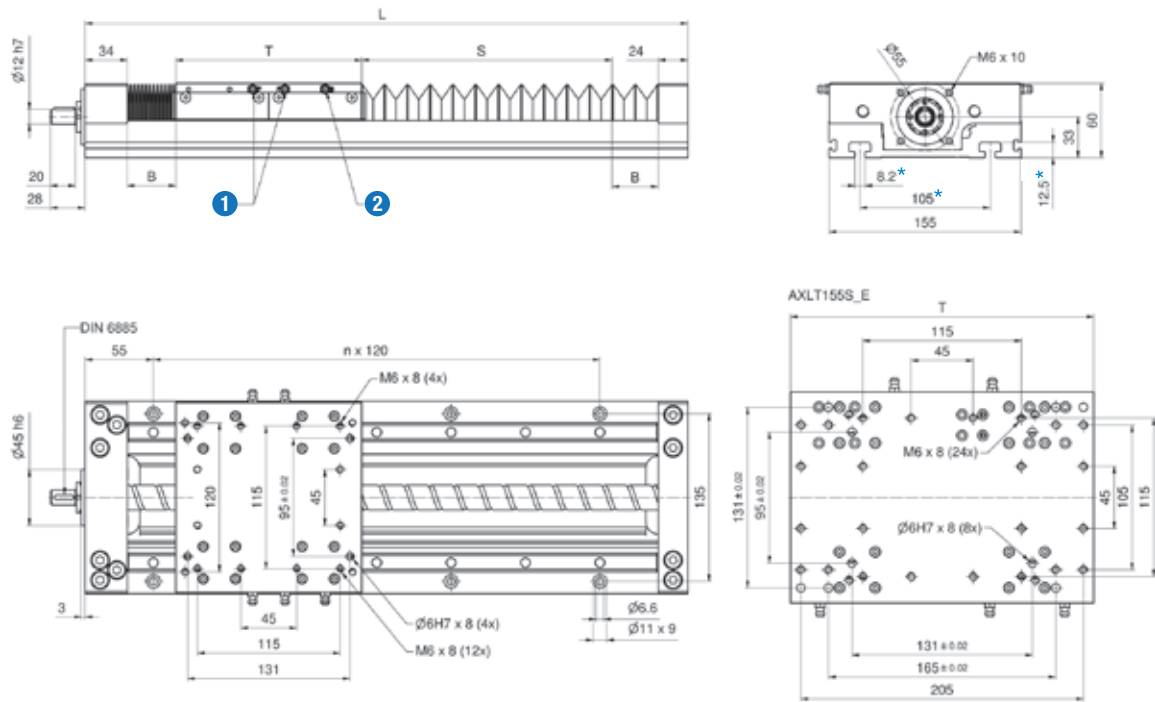


Figure 5.29 — Structure AXLT\_S / AXLT\_T

- ❶ Fixed bearing unit
- ❷ Guiding system
- ❸ Spindel
- ❹ Base plate
- ❺ Inductive switch, inside placed (optional)
- ❻ Table unit
- ❼ Bellow (optional)
- ❽ Floating bearing unit
- ❾ Mechanical switch, outside placed (optional)

## 5.5.1.2 Dimensions / Technical data

### AXLT155S / AXLT155T



T = Table length

S = Stroke

B = Bellow block dimension

$$L = T + S + 58 \text{ mm} + 2 \times B$$

- 1 Separately lubrication connections for the carriages on both sides
- 2 Lubrication connections for the screw drive

\* omitted for steel version

Calculation bellow block dimension B:  
Number of folds = round up (S / 16.5)  
B = Number of folds x 3 + 5 mm

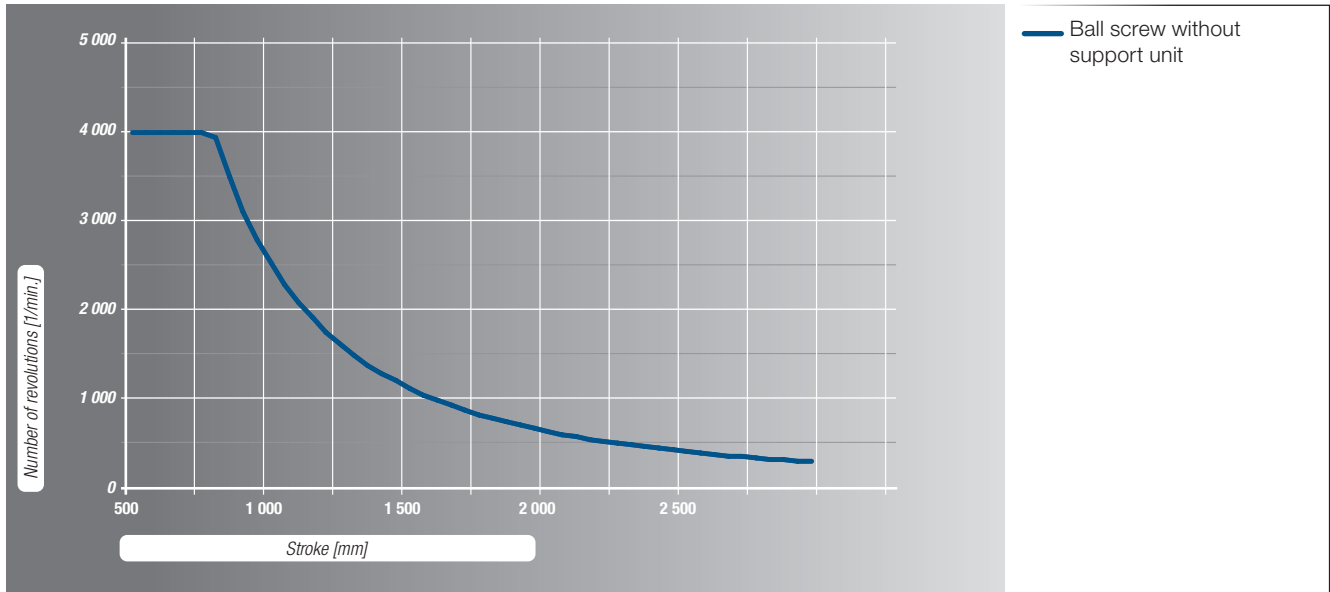
#### Technical data

Type		SN2005	SN2020	T2004	T2008
Guiding system		Linear guide D and E			
Table length T	mm	Guiding system D: 150 / Guiding system E: 220			
Drive element		Ball screw		Trapezoidal screw	
Screw diameter	mm	20			
Pitch / Pitch direction	mm	5 / right, left	20 / right	4 / right, left	8 / right
Maximum velocity	m / min	30	120	4,2	8,5
Pitch accuracy	µm/300mm	52		50	100
Dynamic load rating of the ball screw	N	17 800	11 000	-	
Idling speed torque	Nm	0,6...0,8			
Maximum drive torque	Nm	4,3	17,0	7,0	9,8
Maximum axial operating load	N	5 400		4 400	
Moment of inertia	Kgcm <sup>2</sup> /m	0,84	0,81		
Geometrical moment of inertia (profile) I <sub>y</sub>	cm <sup>4</sup>	54,09			
Geometrical moment of inertia (profile) I <sub>z</sub>	cm <sup>4</sup>	996,3			
Maximum total length	m	3,5			
Repeatability	mm	0,03		0,07	
Efficiency		0,95	0,98	0,40	0,57

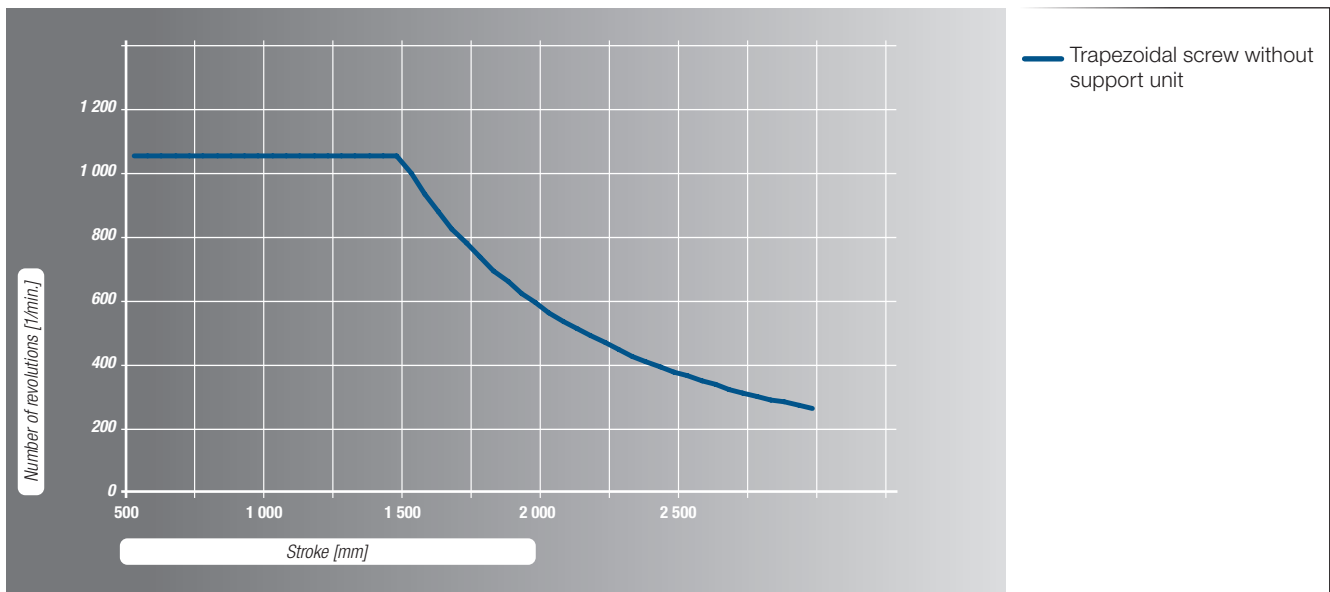
#### Mass

Guiding system		Linear guide D	Linear guide E
Basic mass (including slider mass)	kg	5,5	6,2
Mass per 100 mm stroke	kg	1,2	1,2
Slider mass	kg	2,0	2,3

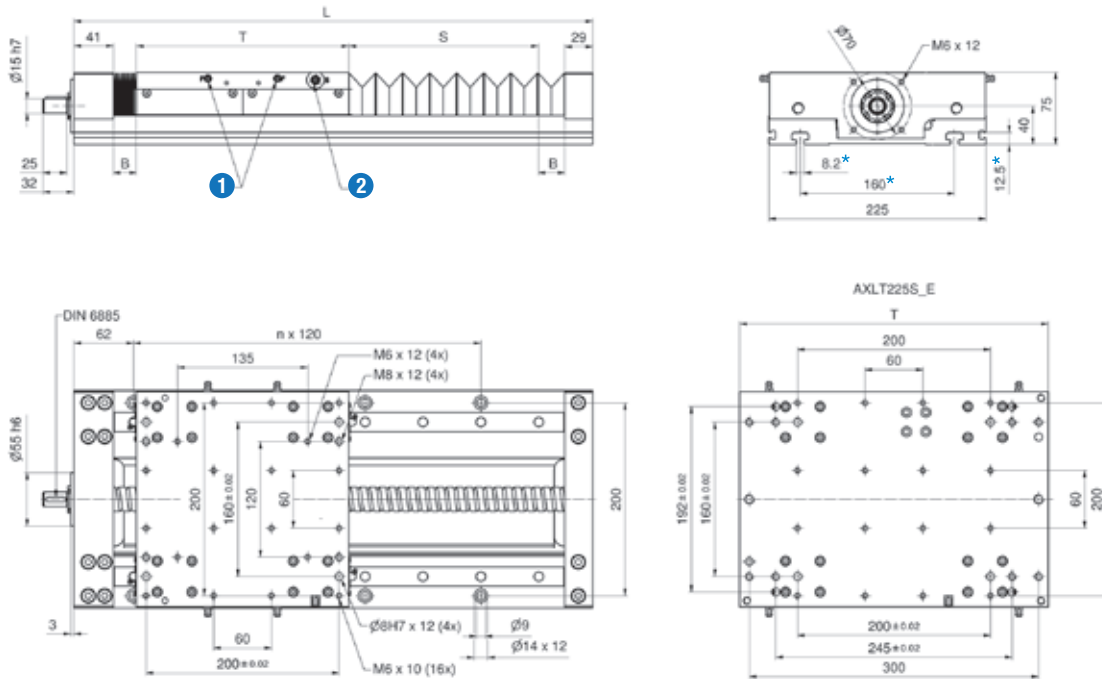
### Allowable rotational speed of the ball screw



### Allowable rotational speed of the trapezoidal screw



# AXLT225S / AXLT225T



T = Table length

S = Stroke

B = Bellow block dimension

$$L = T + S + 70 \text{ mm} + 2 \times B$$

- ① Separately lubrication connections for the carriages on both sides
- ② Lubrication connections for the screw drive

\* omitted for steel version

Calculation bellow block dimension B:  
 Number of folds = round up (S / 27)  
 B = Number of folds x 3 + 5 mm

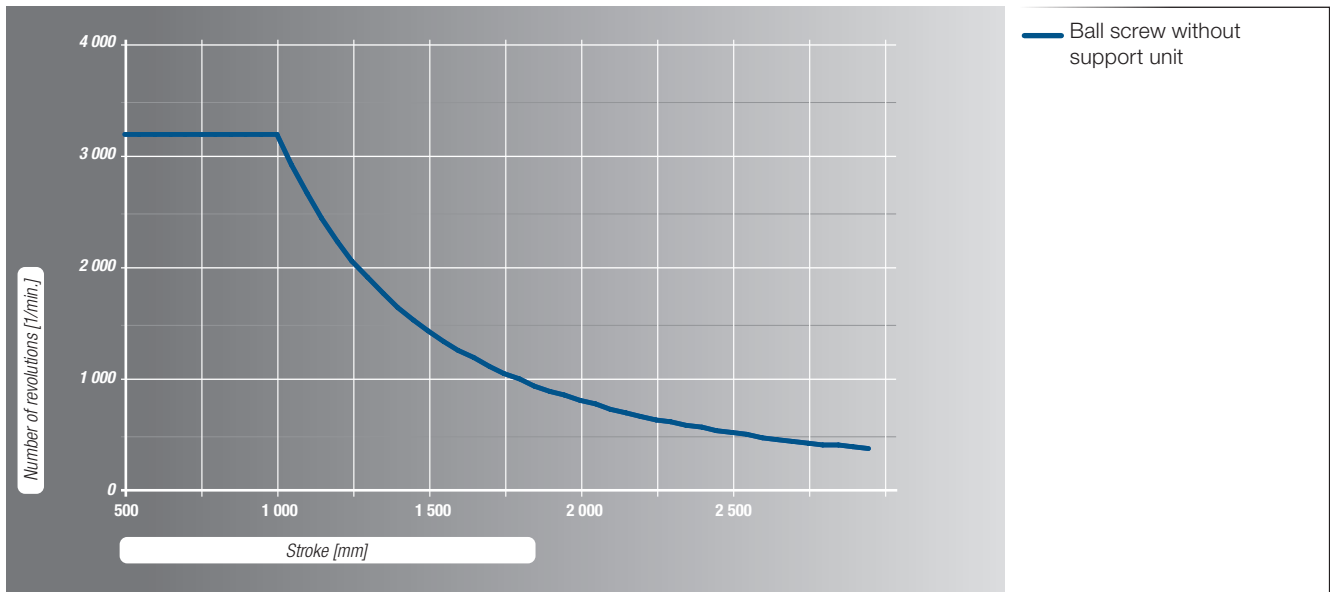
## Technical data

Type		SN2505	SN2510	SN2525	SN2550	T2405	T2410
Guiding system		Linear guide D and E					
Table length T	mm	Guiding system D: 220 / Guiding system E: 320					
Drive element		Ball screw				Trapezoidal screw	
Screw diameter	mm	25				24	
Pitch / Pitch direction	mm	5 / right	10 / right	25 / right	50 / right	5 / right, left	10 / right
Maximum velocity	m / min	30	60	120	150	4,4	8,9
Pitch accuracy	µm/300mm	52				50	100
Dynamic load rating of the ball screw	N	19 800	16 100	12 100	15 400	-	
Idling speed torque	Nm	0,7...1,2					
Maximum drive torque	Nm	5,4	11,0	27,0	54,0	10,0	14,0
Maximum axial operating load	N	6 800		6 040	6 800	5 200	
Moment of inertia	Kgcm <sup>2</sup> /m	2,62	2,82	2,62	2,25	1,50	
Geometrical moment of inertia (profile) I <sub>y</sub>	cm <sup>4</sup>	93,46					
Geometrical moment of inertia (profile) I <sub>z</sub>	cm <sup>4</sup>	3 417					
Maximum total length	m	3,5				3,5	
Repeatability	mm	0,03				0,07	
Efficiency		0,98				0,41	0,58

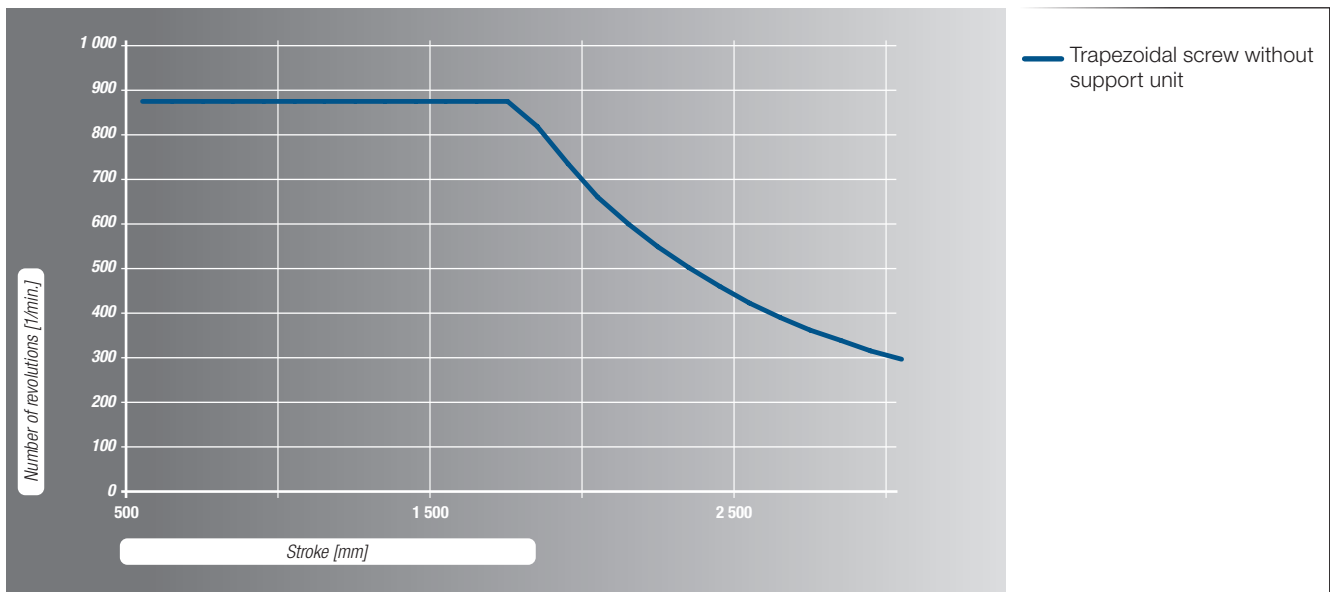
## Mass

Guiding system		Linear guide D	Linear guide E
Basic mass (including slider mass)	kg	13,0	15,8
Mass per 100 mm stroke	kg	1,8	1,8
Slider mass	kg	5,0	6,0

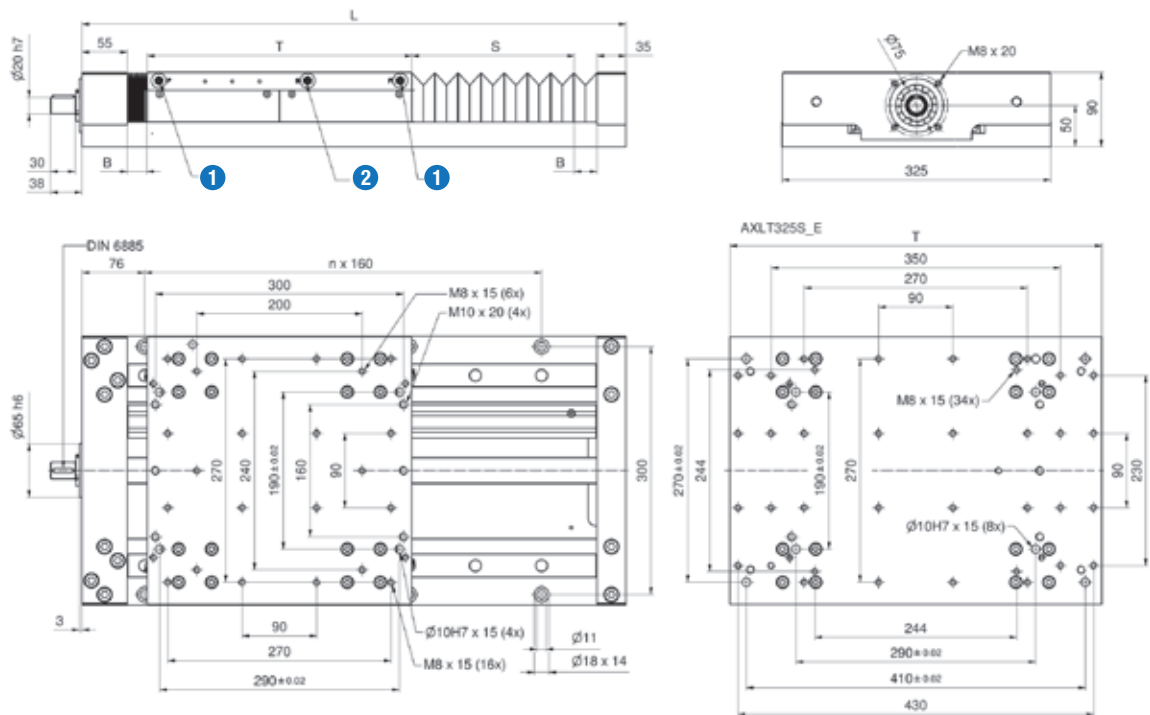
### Allowable rotational speed of the ball screw



### Allowable rotational speed of the trapezoidal screw



# AXLT325S / AXLT325T



**T** = Table length

**S** = Stroke

**B** = Bellow block dimension

$$L = T + S + 90 \text{ mm} + 2 \times B$$

- ① Separately lubrication connections for the carriages on both sides
- ② Lubrication connections for the screw drive

Calculation bellow block dimension B:  
 Number of folds = round up (S / 27)  
 B = Number of folds x 3 + 5 mm

## Technical data

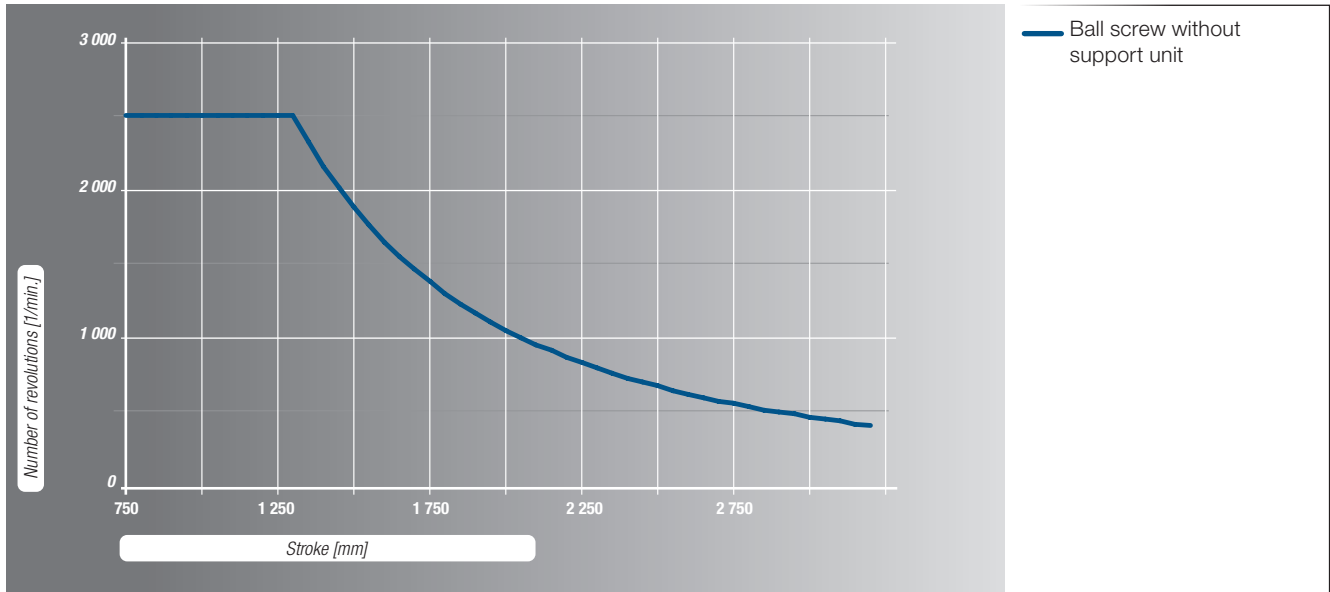
Type		SN3205	SN3210	SN3220	SN3232	T3606	T3612
Guiding system		Linear guide D and E					
Table length T	mm	Guiding system D: 320 / Guiding system E: 450					
Drive element		Ball screw				Trapezoidal screw	
Screw diameter	mm	32				36	
Pitch / Pitch direction	mm	5 / right, left	10 / right	20 / right	32 / right	6 / right, left	12 / right
Maximum velocity	m / min	23	47	94	150	3,5	6,9
Pitch accuracy	$\mu\text{m}/300\text{mm}$	52				50	200
Dynamic load rating of the ball screw	N	26 000	34 700	24 300	18 000	-	
Idling speed torque	Nm	1,1...1,5					
Maximum drive torque	Nm	11,0	21,0	42,0	55,0	29,0	39,0
Maximum axial operating load	N	13 000	13 300	12 150	9 000	10 700	
Moment of inertia	Kgcm <sup>2</sup> /m	6,05	6,40	6,39	6,17	9,00	
Geometrical moment of inertia (profile) I <sub>y</sub>	cm <sup>4</sup>	214,6					
Geometrical moment of inertia (profile) I <sub>z</sub>	cm <sup>4</sup>	12 359					
Maximum total length	m	3,2					
Repeatability	mm	0,03				0,07	
Efficiency		0,91	0,97	0,98		0,35	0,52

## Mass

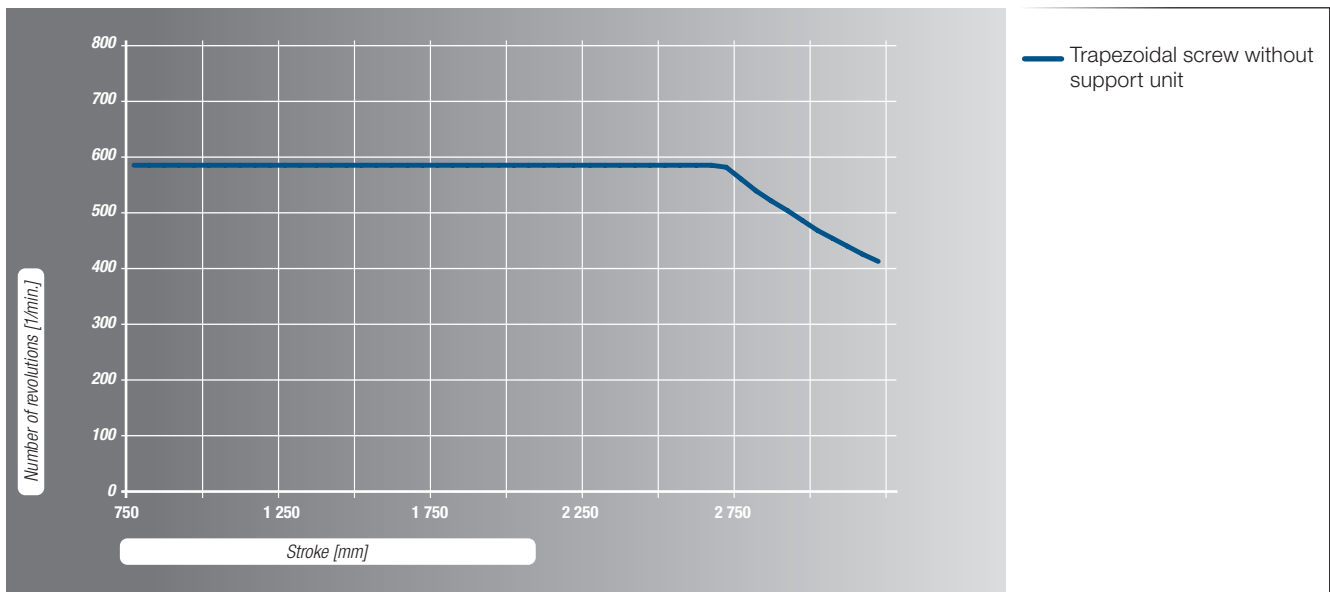
Guiding system		Linear guide D	Linear guide E
Basic mass (including slider mass)	kg	31,5	38,7
Mass per 100 mm stroke	kg	3,5	3,5
Slider mass	kg	12,0	14,6



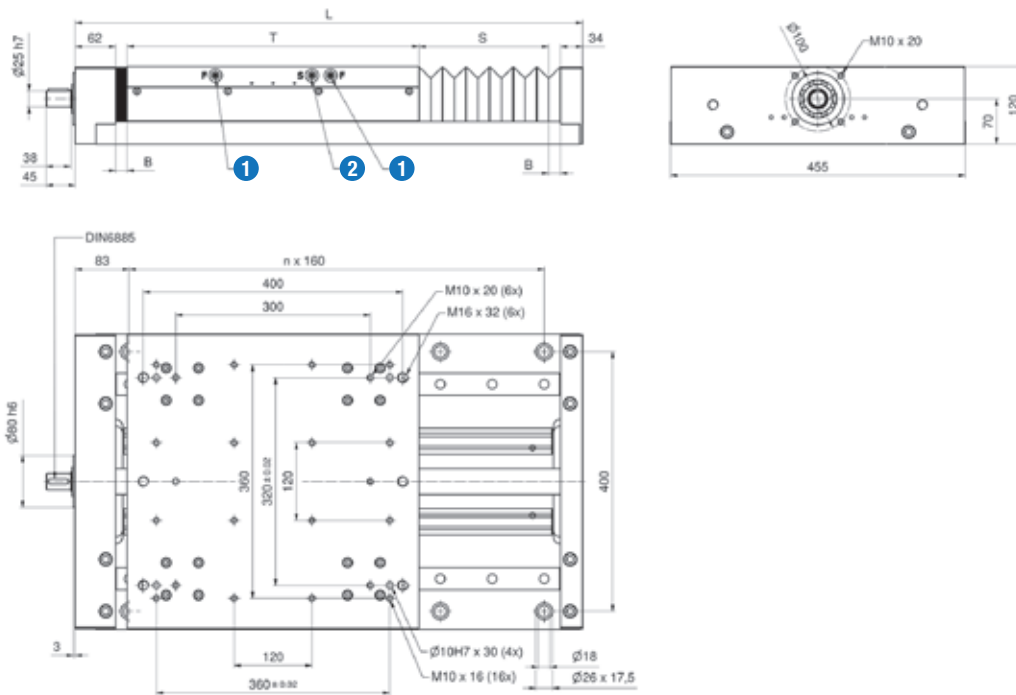
### Allowable rotational speed of the ball screw



### Allowable rotational speed of the trapezoidal screw



# AXLT455S / AXLT455T



**T** = Table length

**S** = Stroke

**B** = Bellow block dimension

$$L = T + S + 96 \text{ mm} + 2 \times B$$

- ① Separately lubrication connections for the carriages on both sides
- ② Lubrication connections for the screw drive

Calculation bellow block dimension B:  
 Number of folds = round up (S / 34.5)  
 B = Number of folds x 3 + 5 mm

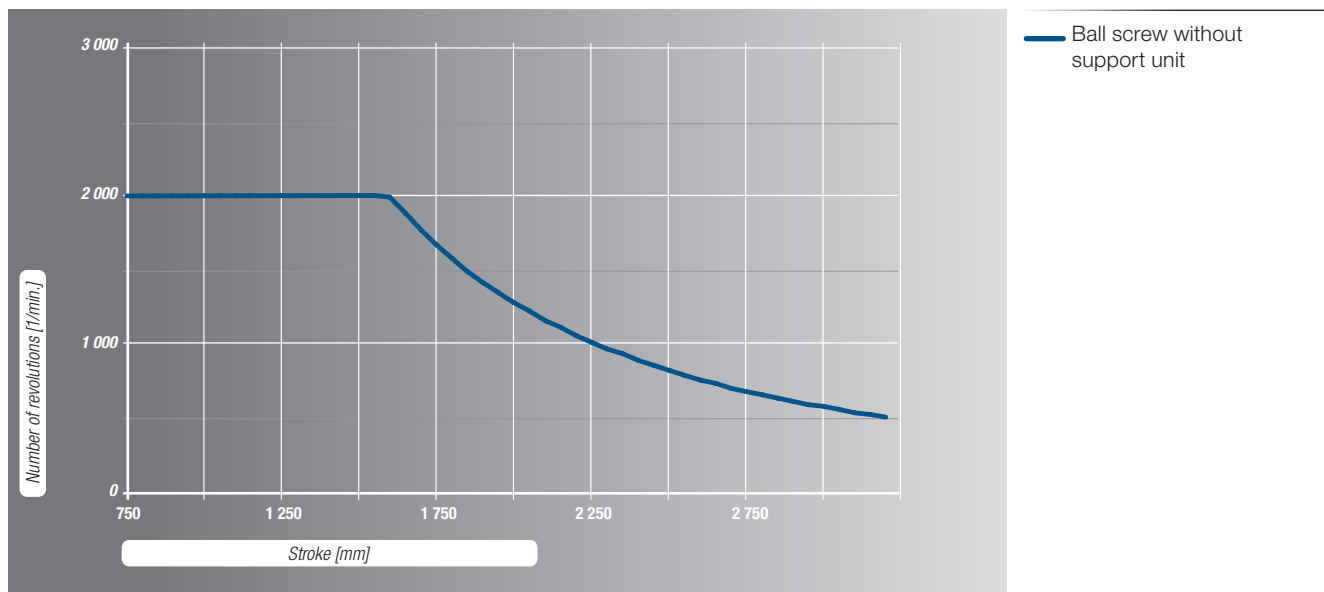
## Technical data

Type		SN4005	SN4010	SN4020	SN4040	T4007
Guiding system		Linear guide D				
Table length T	mm	Guiding system D: 450				
Drive element		Ball screw				Trapezoidal screw
Screw diameter	mm	40				
Pitch / Pitch direction	mm	5 / right, left	10 / right	20 / right	40 / right	7 / right, left
Maximum velocity	m /min	19	38	75	150	3,7
Pitch accuracy	µm/300mm	52				
Dynamic load rating of the ball screw	N	19 800	49 400	38 800	37 100	-
Idling speed torque	Nm	1,7...2,8				
Maximum drive torque	Nm	16	38	76	105	44
Maximum axial operating load	N	9 900	24 000	19 400	16 500	14 700
Moment of inertia	Kgcm <sup>2</sup> /m	15,64	13,55	13,52	13,42	13,0
Geometrical moment of inertia (profile) I <sub>y</sub>	cm <sup>4</sup>	442,6				
Geometrical moment of inertia (profile) I <sub>z</sub>	cm <sup>4</sup>	37 625				
Maximum total length	m	3,5				
Repeatability	mm	0,03				0,07
Efficiency		0,89	0,95	0,98		0,37

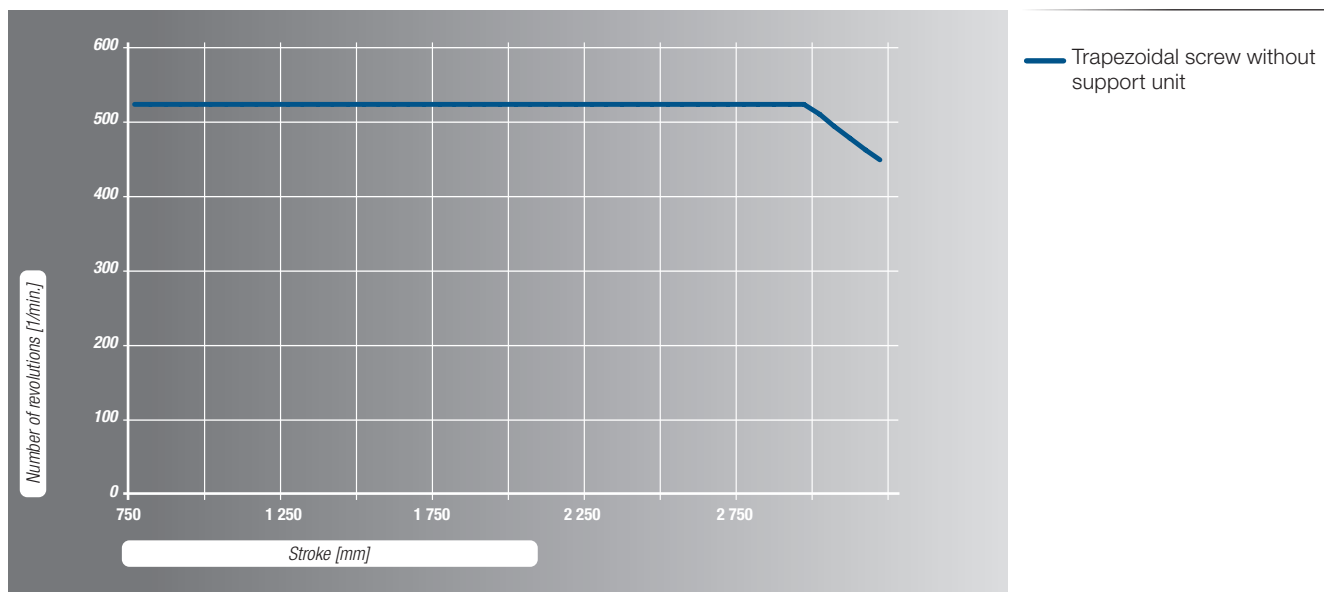
## Mass

Guiding system		Linear guide D
Basic mass (including slider mass)	kg	74,0
Mass per 100 mm stroke	kg	6,3
Slider mass	kg	29,0

### Allowable rotational speed of the ball screw



### Allowable rotational speed of the trapezoidal screw



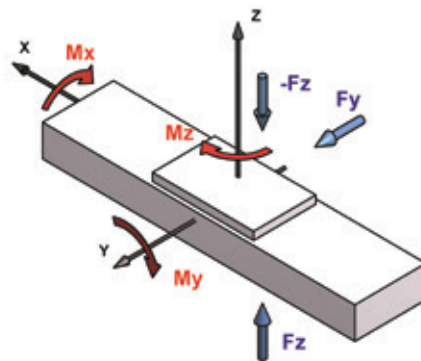
### 5.5.1.3 Maximum static load capacity

Type	Guiding system	Load [N]		Load moment [Nm]		
		$F_y$	$F_z$	$M_x$	$M_y$	$M_z$
AXLT155S	D	19 000	19 000	1 000	800	800
AXLT155T	E	19 000	19 000	1 000	1 150	1 150
AXLT225S	D	32 000	32 000	2 500	2 250	2 250
AXLT225T	E	32 000	32 000	2 500	3 000	3 000
AXLT325S	D	57 000	57 000	6 500	5 850	5 850
AXLT325T	E	57 000	57 000	6 500	8 000	8 000
AXLT455S AXLT455T	D	82 000	82 000	12 000	11 500	11 500

### 5.5.1.4 Dynamic load capacity

The dynamic load capacities of the guiding systems are based on a nominal life time of 25 000 km.

Type	Guiding system	Load [N]		Load moment [Nm]		
		$F_y$	$F_z$	$M_x$	$M_y$	$M_z$
AXLT155S	D	7 000	7 000	375	300	300
AXLT155T	E	7 000	7 000	375	425	425
AXLT225S	D	11 500	11 500	925	800	800
AXLT225T	E	11 500	11 500	925	1 050	1 050
AXLT325S	D	24 000	24 000	2 750	2 450	2 450
AXLT325T	E	24 000	24 000	2 750	3 400	3 400
AXLT455S AXLT455T	D	33 000	33 000	5 000	4 700	4 700



## 5.6 AXBG Precision Axis

### 5.6.1 AXBG Precision Axis with screw drive

#### 5.6.1.1 Structure

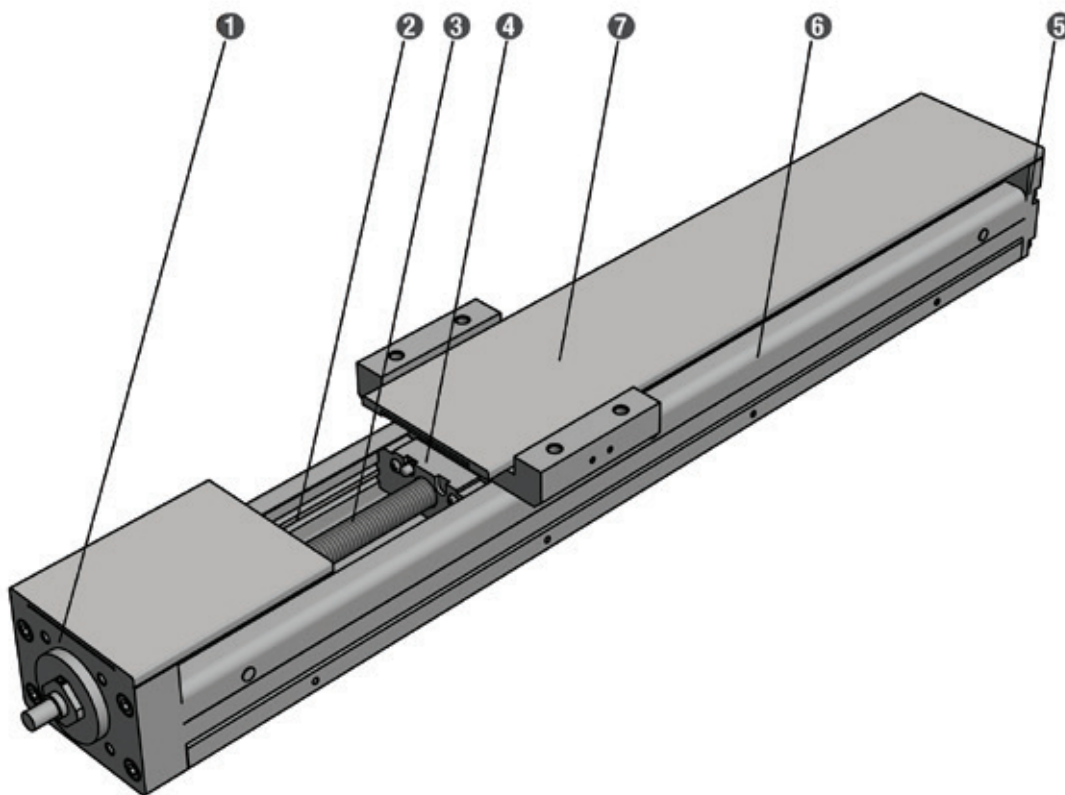
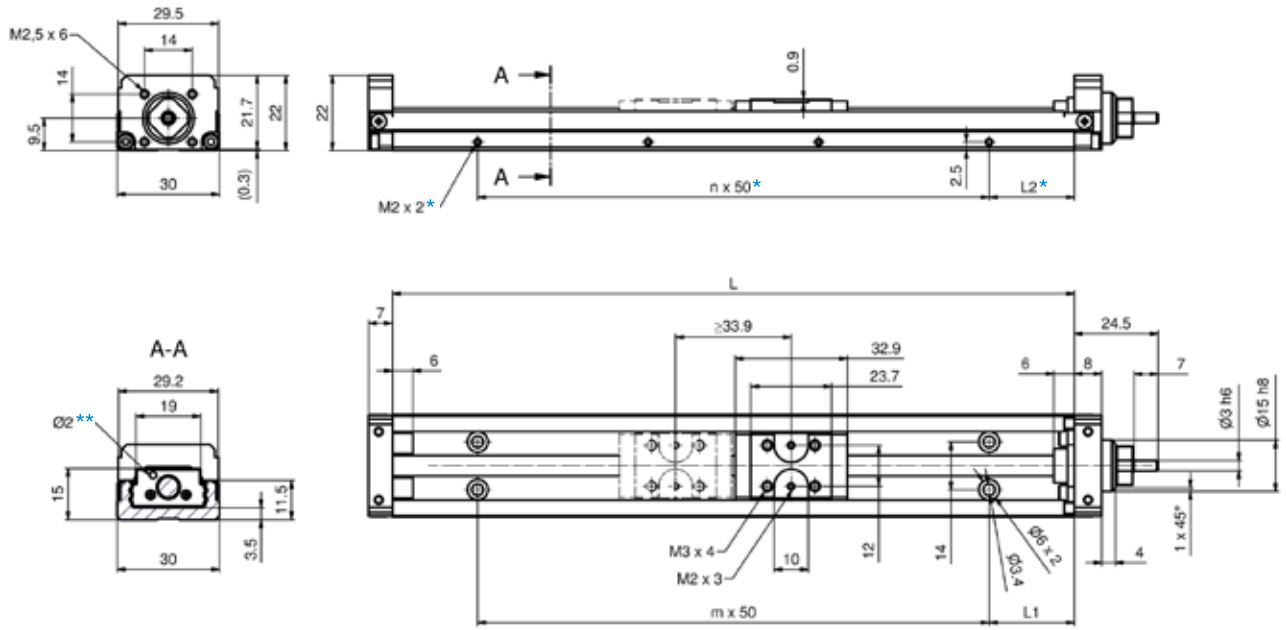


Figure 5.30 — Structure AXBG\_S

- ① Fixed bearing unit
- ② Guiding rail
- ③ Screw drive
- ④ Carriage
- ⑤ Floating bearing unit
- ⑥ Dust cover
- ⑦ Cover plate (optional)

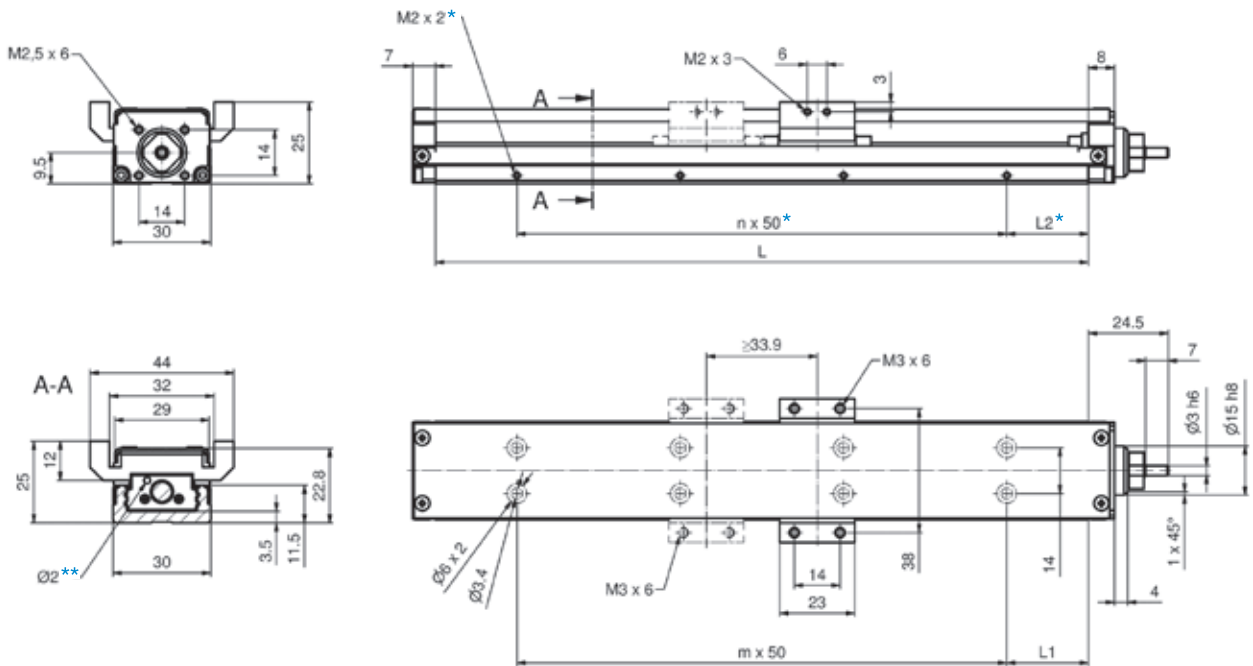
5.6.1.2 Dimensions / Technical data

AXBG15\_A / AXBG15\_B



\*on both sides  
 \*\*Lubrication hole

AXBG15\_A / AXBG15\_B with cover plate



\*on both sides  
 \*\*Lubrication hole

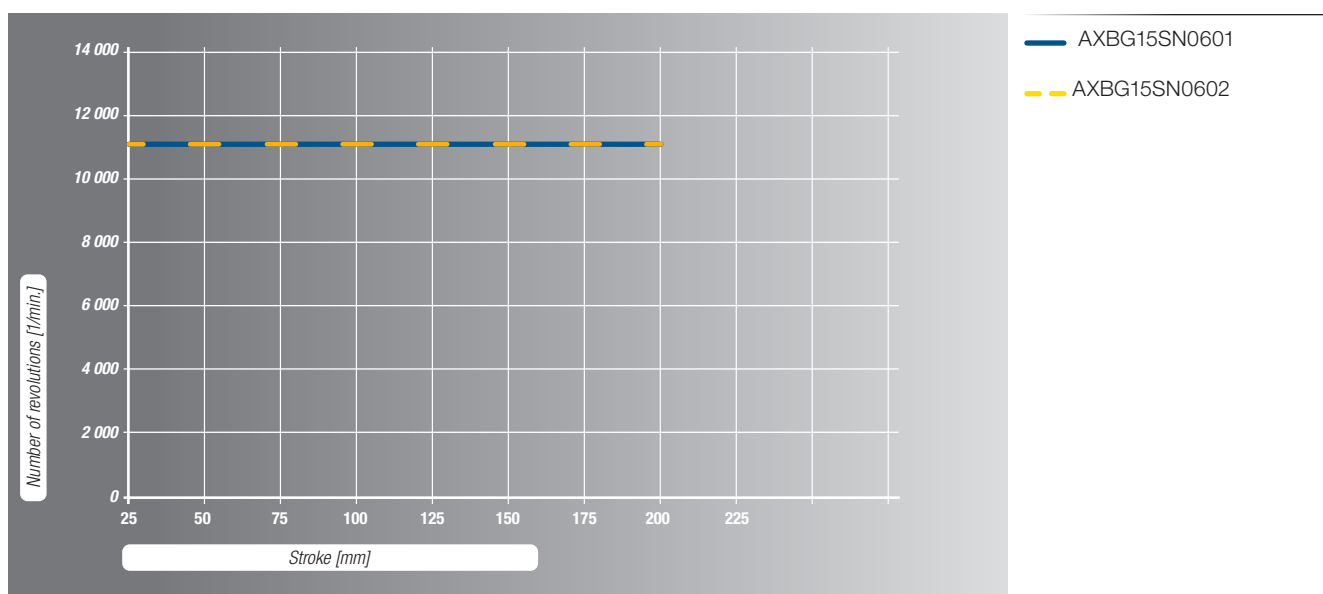
## Technical data

Type		SN0601	SN0602
Drive element		Ball screw	
Screw diameter	mm	6	
Pitch / Pitch direction	mm	1 / right	2 / right
Maximum velocity	m /min	11,1	22,2
Maximum drive torque	Nm	0,016	0,064
Maximum axial operating load	N	100	200
Moment of inertia	Kgcm <sup>2</sup> /m	0,00083	
Geometrical moment of inertia (profile) I <sub>y</sub>	cm <sup>4</sup>	0,12	
Geometrical moment of inertia (profile) I <sub>z</sub>	cm <sup>4</sup>	1,56	
Maximum profile length	mm	200	

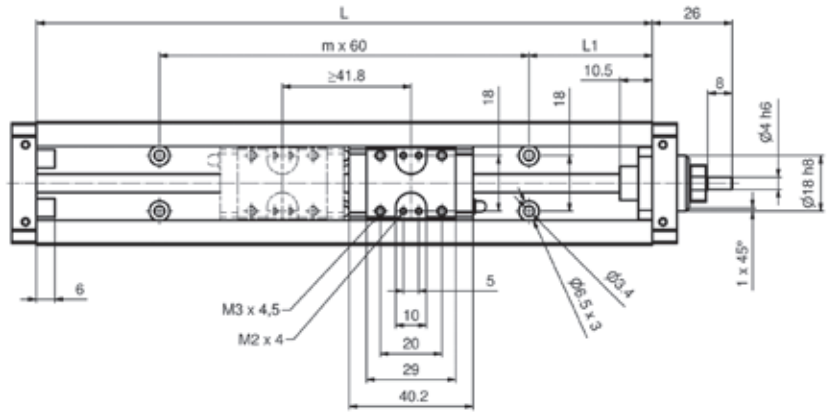
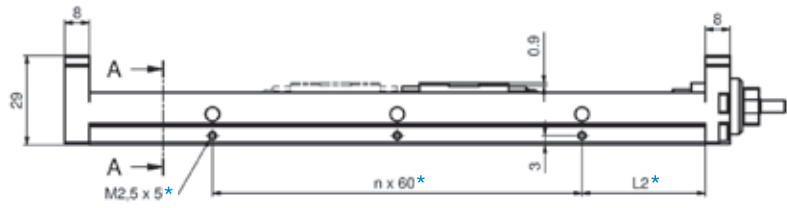
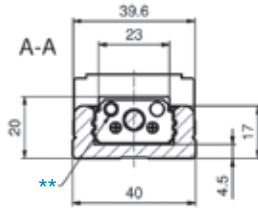
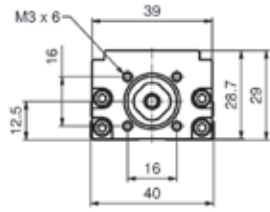
## Dimension and mass

Profile length L	Dimension [mm]		Index		Guiding system Without cover plate [kg]		Guiding system With cover plate [kg]	
	L1	L2	m	n	A	B	A	B
75	12,5	12,5	1	1	0,21	-	0,24	-
100	25,0	25,0	1	1	0,25	-	0,28	-
125	12,5	12,5	2	2	0,28	0,32	0,31	0,37
150	25,0	25,0	2	2	0,32	0,35	0,35	0,40
175	12,5	12,5	3	3	0,35	0,39	0,39	0,44
200	25,0	25,0	3	3	0,39	0,42	0,42	0,48

## Allowable rotational speed of the ball screw

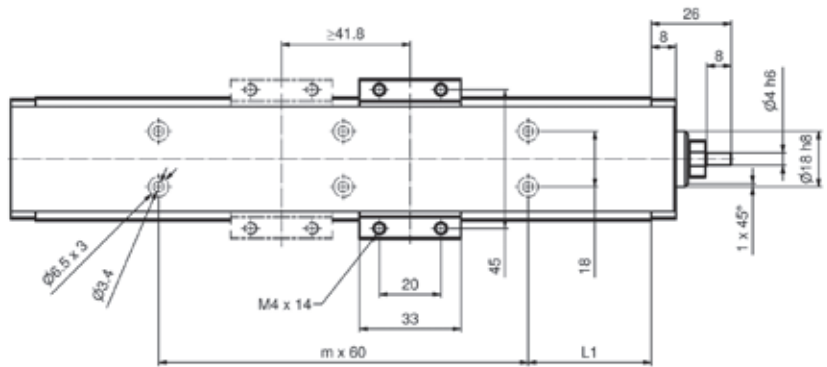
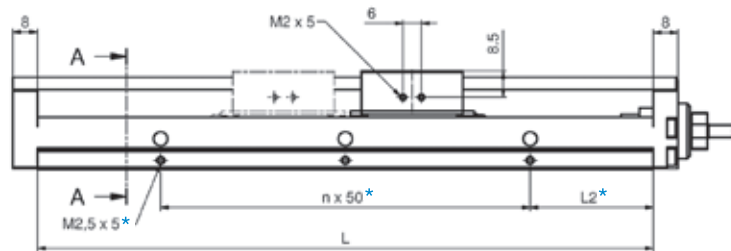
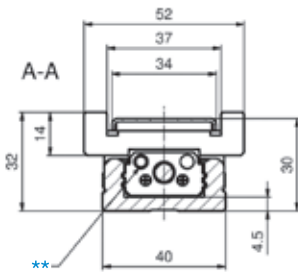
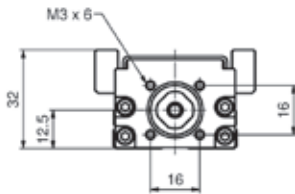


AXBG20\_A / AXBG20\_B



\*on both sides  
\*\*Grease nipple

AXBG20\_A / AXBG20\_B with cover plate



\*on both sides  
\*\*Lubrication hole



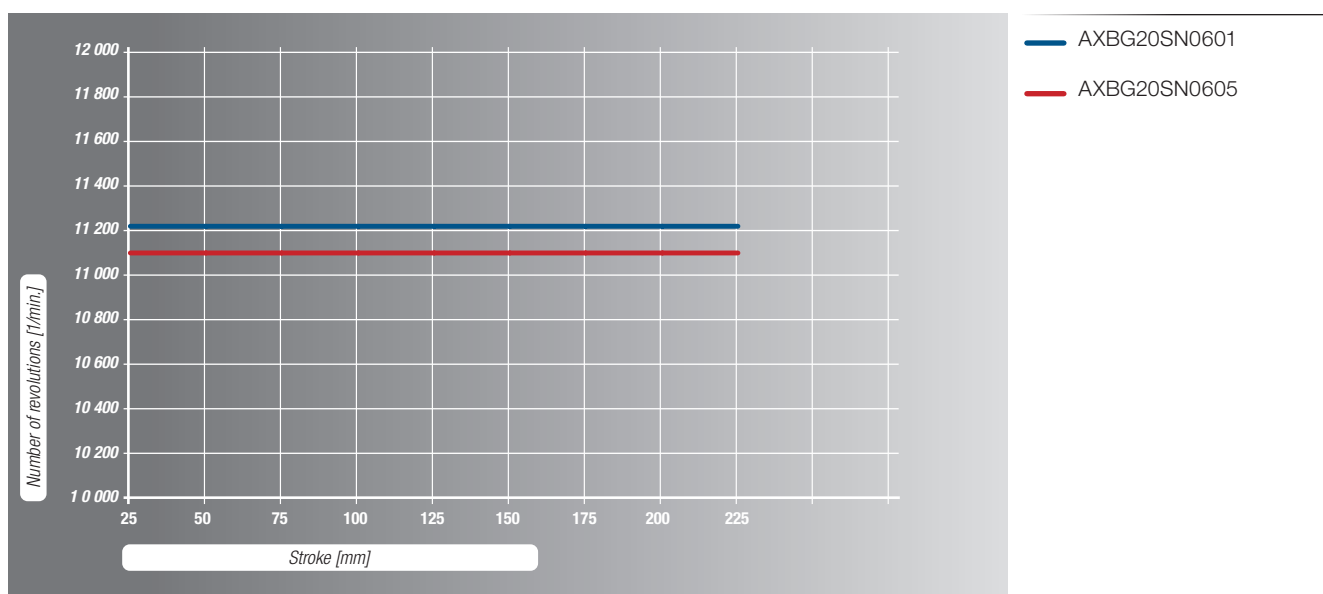
## Technical data

Type		SN0601	SN0605
Drive element		Ball screw	
Screw diameter	mm	6	
Pitch / Pitch direction	mm	1 / right	5 / right
Maximum velocity	m /min	11,2	55,5
Maximum drive torque	Nm	0,05	0,16
Maximum axial operating load	N	265	200
Moment of inertia	Kgcm <sup>2</sup> /m	0,00083	
Geometrical moment of inertia (profile) I <sub>y</sub>	cm <sup>4</sup>	0,65	
Geometrical moment of inertia (profile) I <sub>z</sub>	cm <sup>4</sup>	6,00	
Maximum profile length	mm	200	

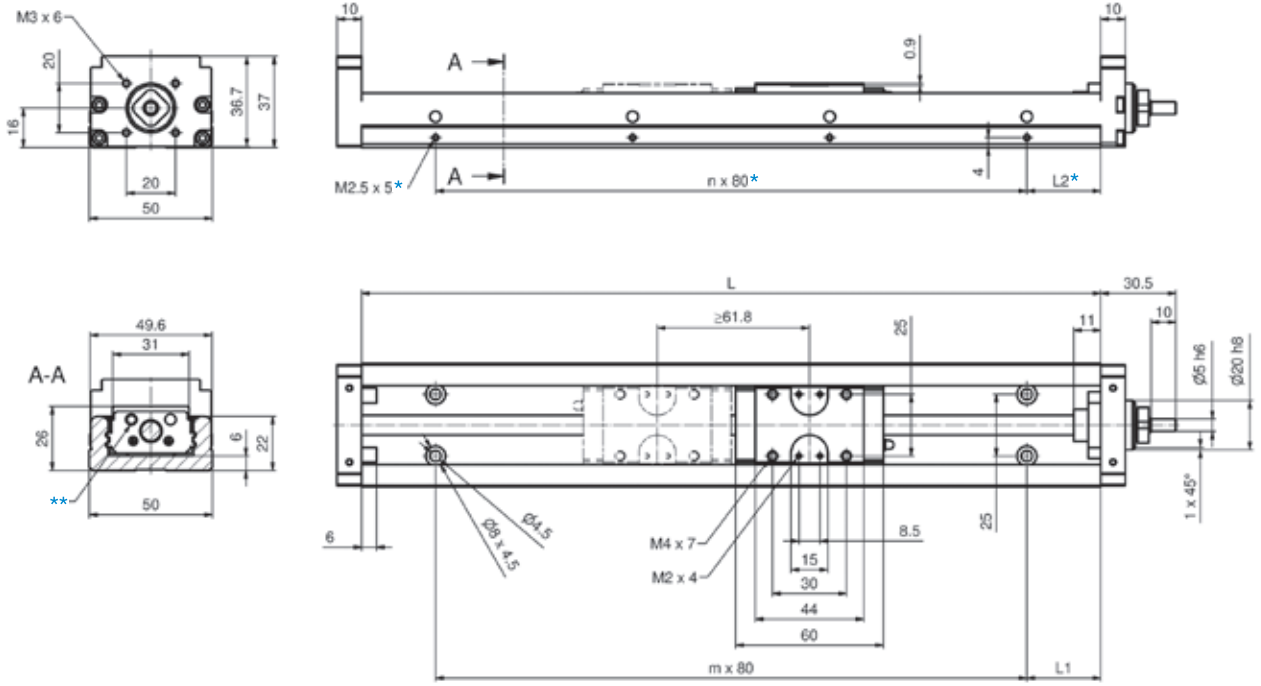
## Dimension and mass

Profile length L	Dimension [mm]		Index		Guiding system Without cover plate [kg]		Guiding system With cover plate [kg]	
	L1	L2	m	n	A	B	A	B
100	20	20	1	1	0,45	-	0,50	-
150	15	15	2	2	0,58	0,65	0,63	0,74
200	40	40	2	2	0,71	0,78	0,77	0,88

## Allowable rotational speed of the ball screw

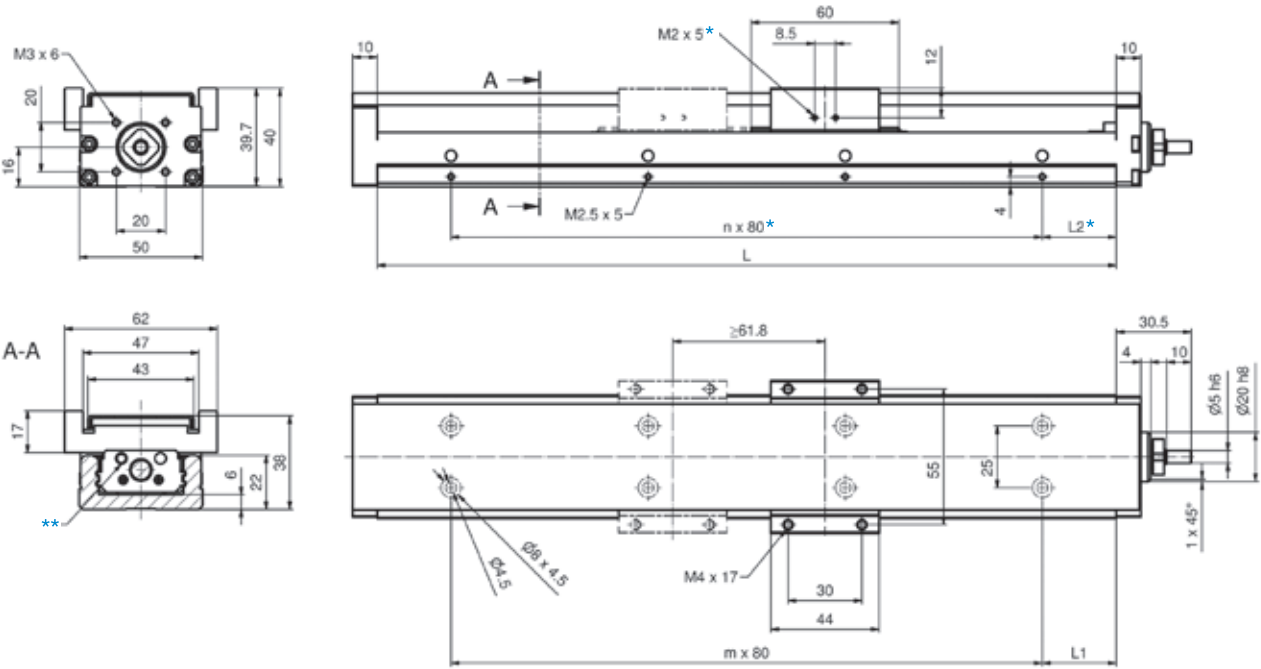


AXBG26\_A / AXBG26\_B



\*on both sides  
\*\*Grease nipple

AXBG26\_A / AXBG26\_B with cover plate



\*on both sides  
\*\*Grease nipple

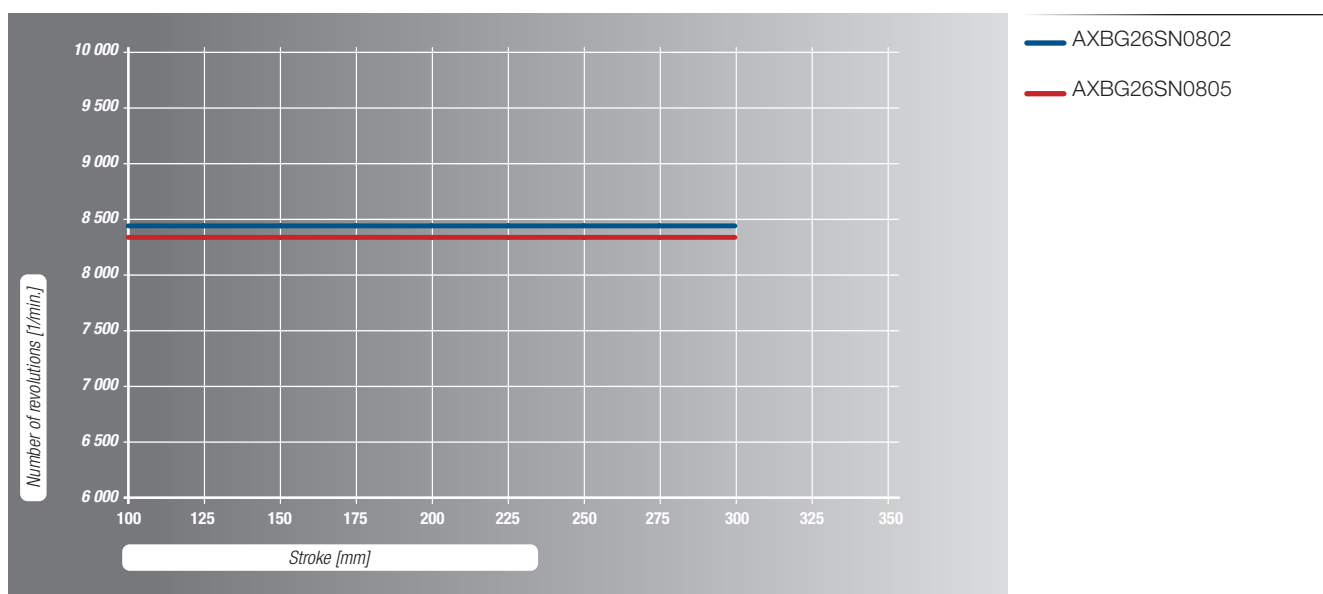
## Technical data

Type		SN0802	SN0805
Drive element		Ball screw	
Screw diameter	mm	8	
Pitch / Pitch direction	mm	2 / right	5 / right
Maximum velocity	m /min	16,8	41,6
Maximum drive torque	Nm	0,16	0,40
Maximum axial operating load	N	500	500
Moment of inertia	Kgcm <sup>2</sup> /m	0,0271	
Geometrical moment of inertia (profile) I <sub>y</sub>	cm <sup>4</sup>	1,69	
Geometrical moment of inertia (profile) I <sub>z</sub>	cm <sup>4</sup>	14,70	
Maximum profile length	mm	300	

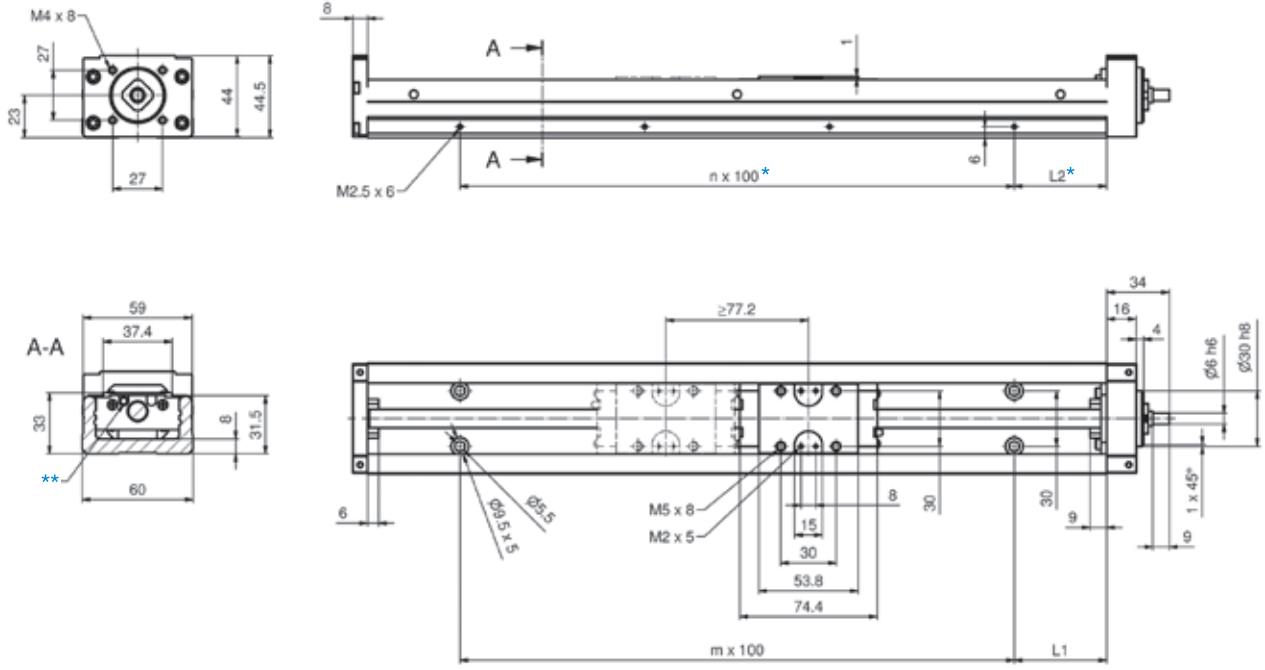
## Dimension and mass

Profile length L	Dimension [mm]		Index		Guiding system Without cover plate [kg]		Guiding system With cover plate [kg]	
	L1	L2	m	n	A	B	A	B
150	35	35	1	1	0,93	-	1,07	-
200	20	20	2	2	1,14	1,31	1,30	1,54
250	45	45	2	2	1,36	1,53	1,53	1,78
300	30	30	3	3	1,57	1,74	1,76	2,01

## Allowable rotational speed of the ball screw

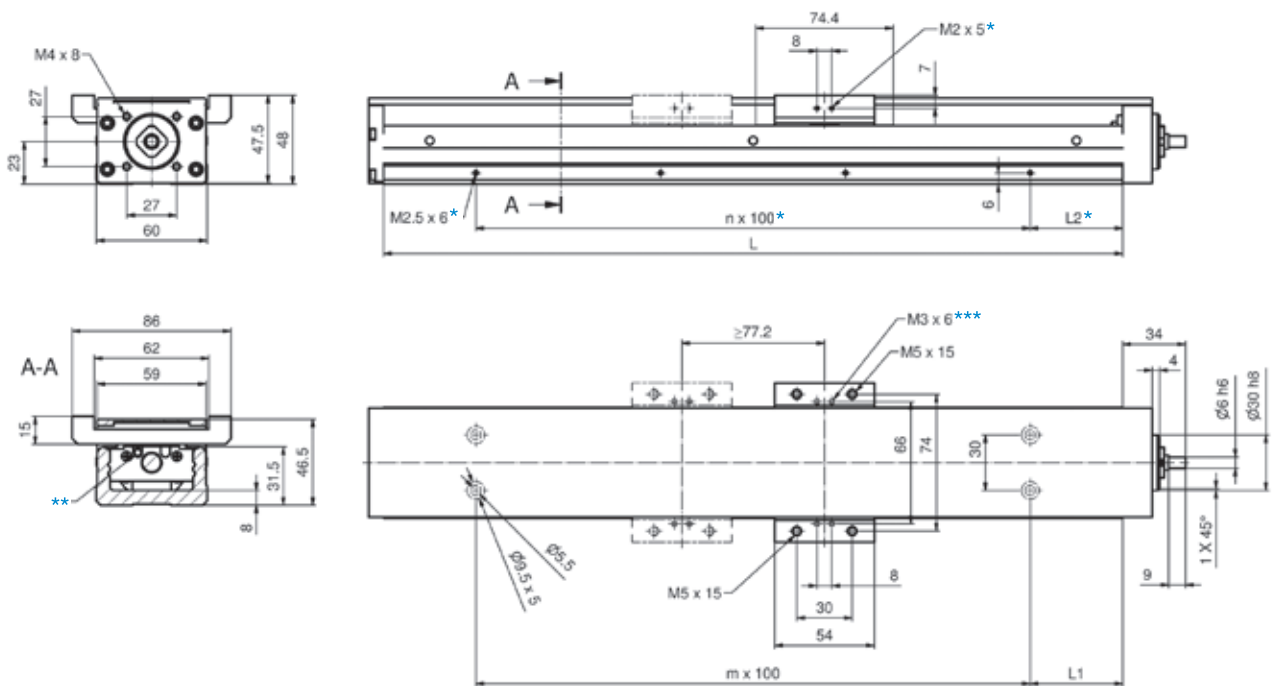


**AXBG33\_A / AXBG33\_B**



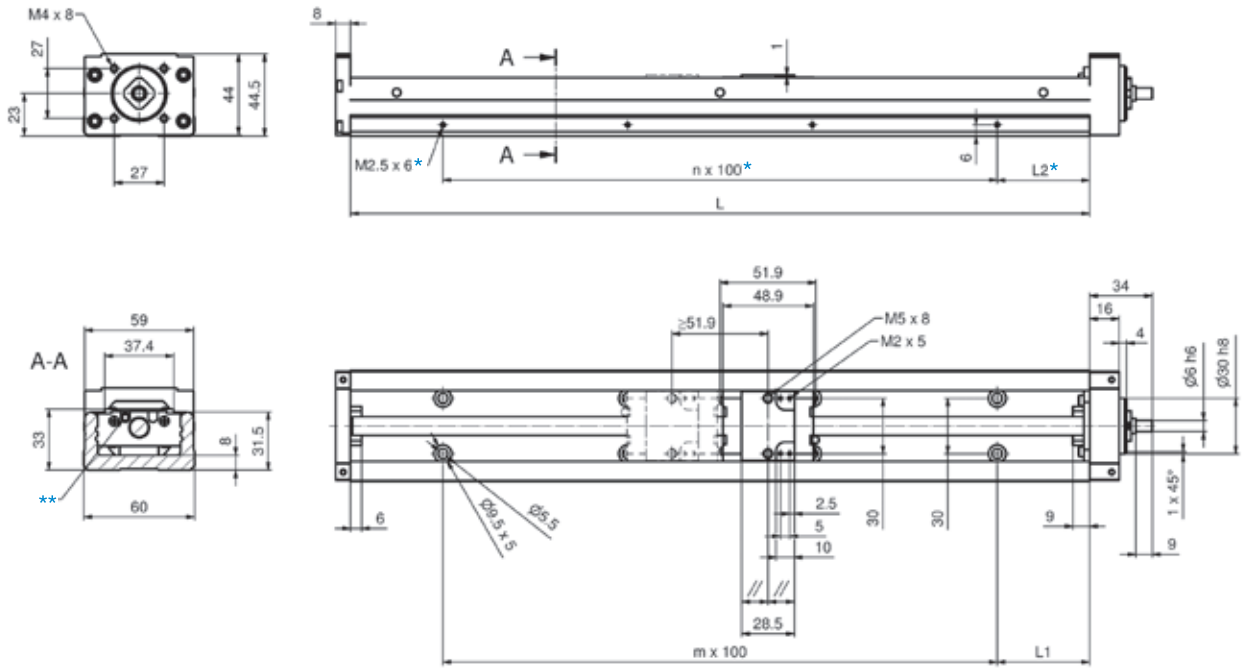
\*on both sides  
\*\*Grease nipple

**AXBG33\_A / AXBG33\_B with cover plate**



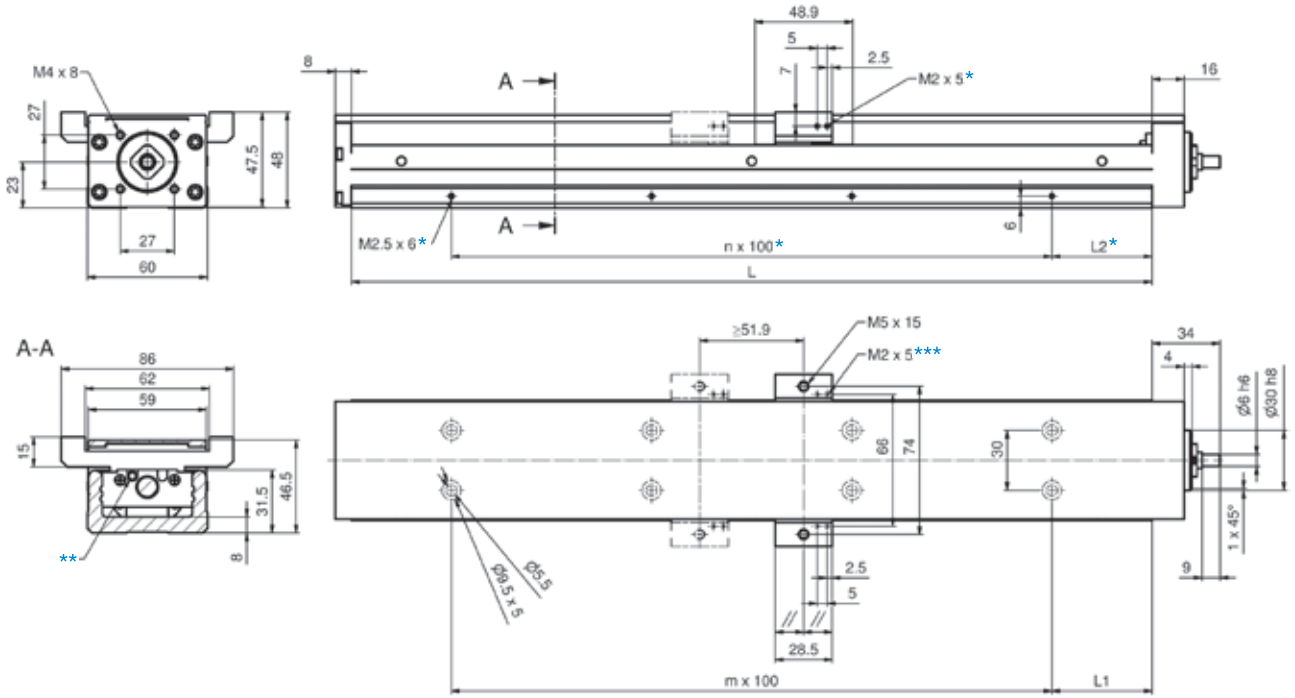
\*on both sides  
\*\*Grease nipple  
\*\*\*Bore holes from the bottom side

AXBG33\_C / AXBG33\_D



\*on both sides  
\*\*Grease nipple

AXBG33\_C / AXBG33\_D with cover plate



\*on both sides  
\*\*Grease nipple  
\*\*\*Bore holes from the bottom side

## Technical data

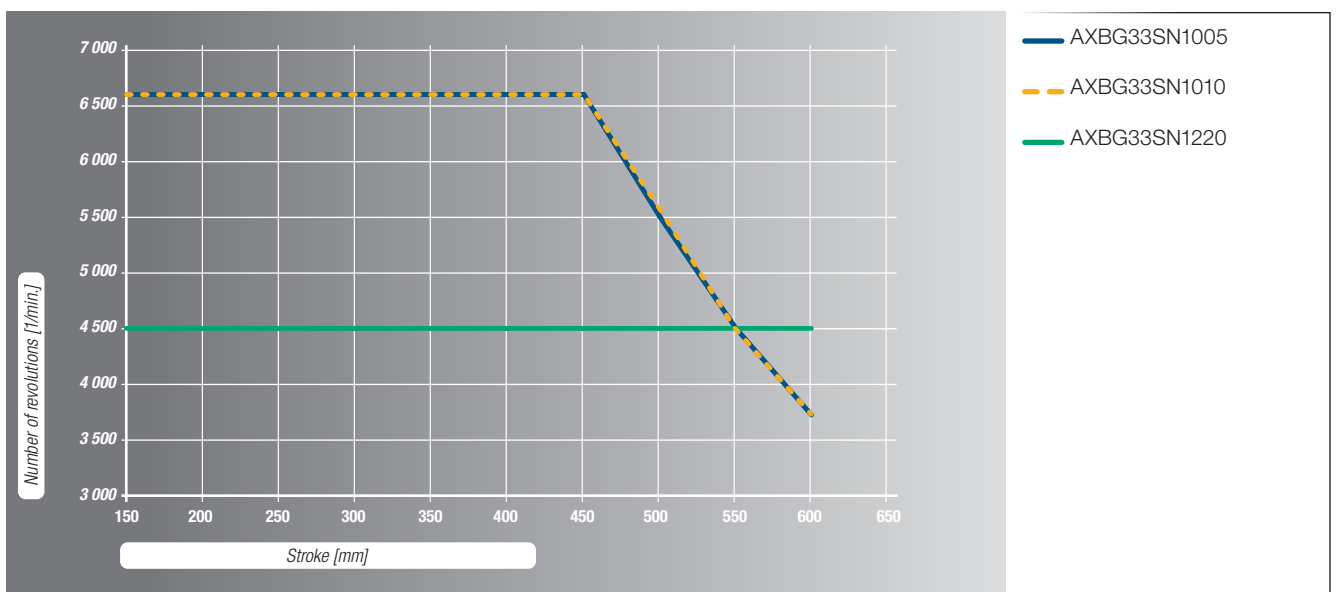
Type		SN1005	SN1010	SN1220
Drive element		Ball screw		
Screw diameter	mm	10		12
Pitch / Pitch direction	mm	5 / right	10 / right	20 / right
Maximum velocity	m /min	33	66	90
Maximum drive torque	Nm	0,8 (0,6*)	1,3 (0,6*)	3,2 (1,6*)
Maximum axial operating load	N	1 000 (700*)	800 (400*)	1 000 (500*)
Moment of inertia	Kgcm <sup>2</sup> /m	0,0653		0,0764
Geometrical moment of inertia (profile) I <sub>y</sub>	cm <sup>4</sup>			5,1
Geometrical moment of inertia (profile) I <sub>z</sub>	cm <sup>4</sup>			34,2
Maximum profile length	mm			600

\*For P precision

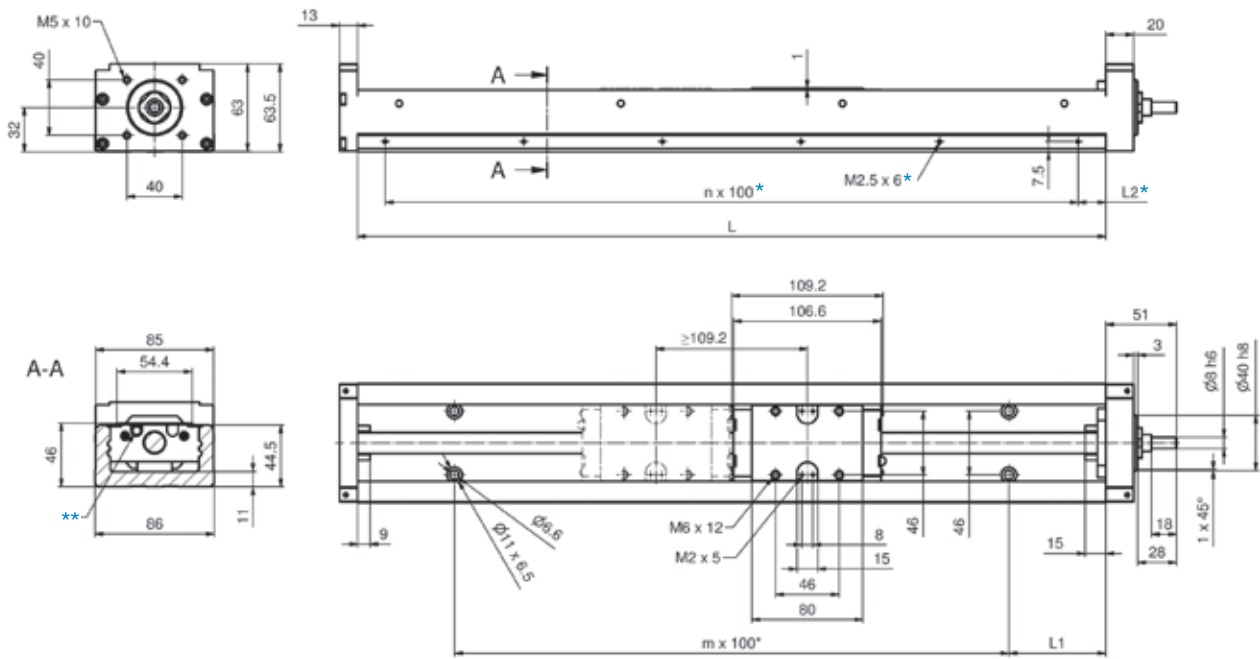
## Dimension and mass

Profile length L	Dimension [mm]		Index		Guiding system Without cover plate [kg]				Guiding system With cover plate [kg]			
	L1	L2	m	n	A	B	C	D	A	B	C	D
150	25	25	1	1	1,60	-	1,50	1,70	1,80	-	1,60	1,90
200	50	50	1	1	2,00	-	1,80	2,00	2,10	-	2,00	2,20
300	50	50	2	2	2,60	2,90	2,50	2,70	2,80	3,20	2,60	2,90
400	50	50	3	3	3,20	3,60	3,10	3,30	3,50	3,90	3,30	3,50
500	50	50	4	4	3,90	4,20	3,80	3,90	4,20	4,60	4,00	4,20
600	50	50	5	5	4,60	4,90	4,40	4,60	4,90	5,30	4,70	4,90

## Allowable rotational speed of the ball screw

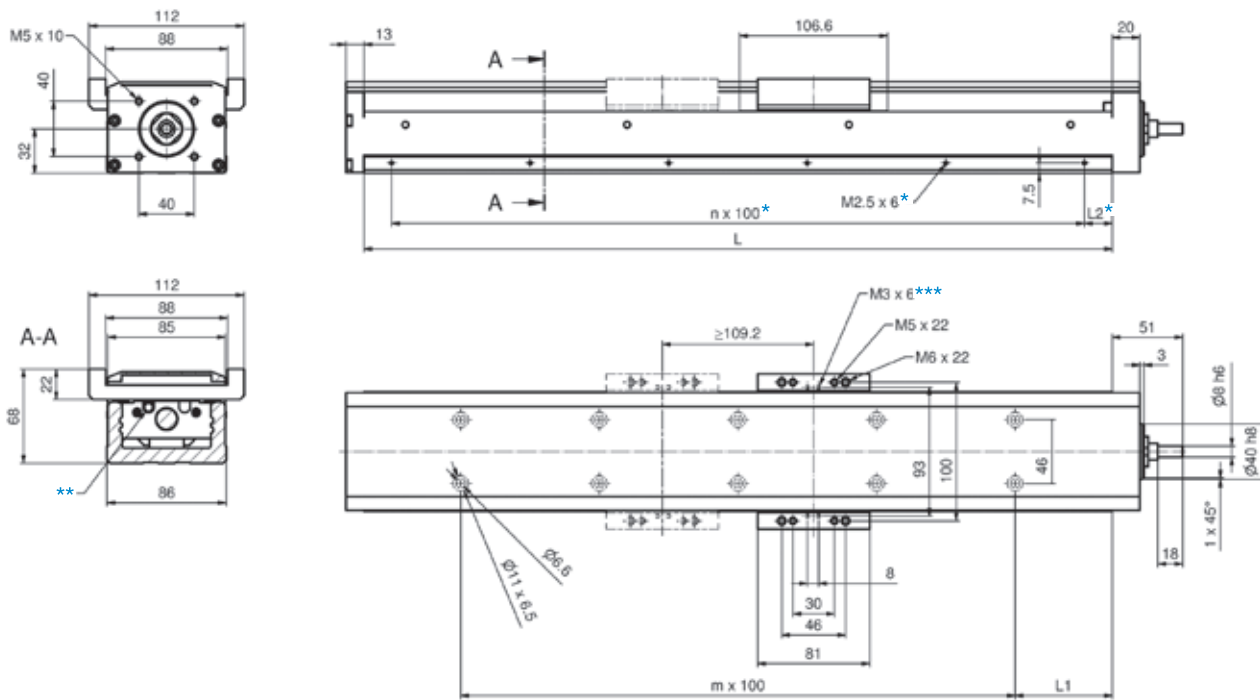


AXBG46\_A / AXBG46\_B



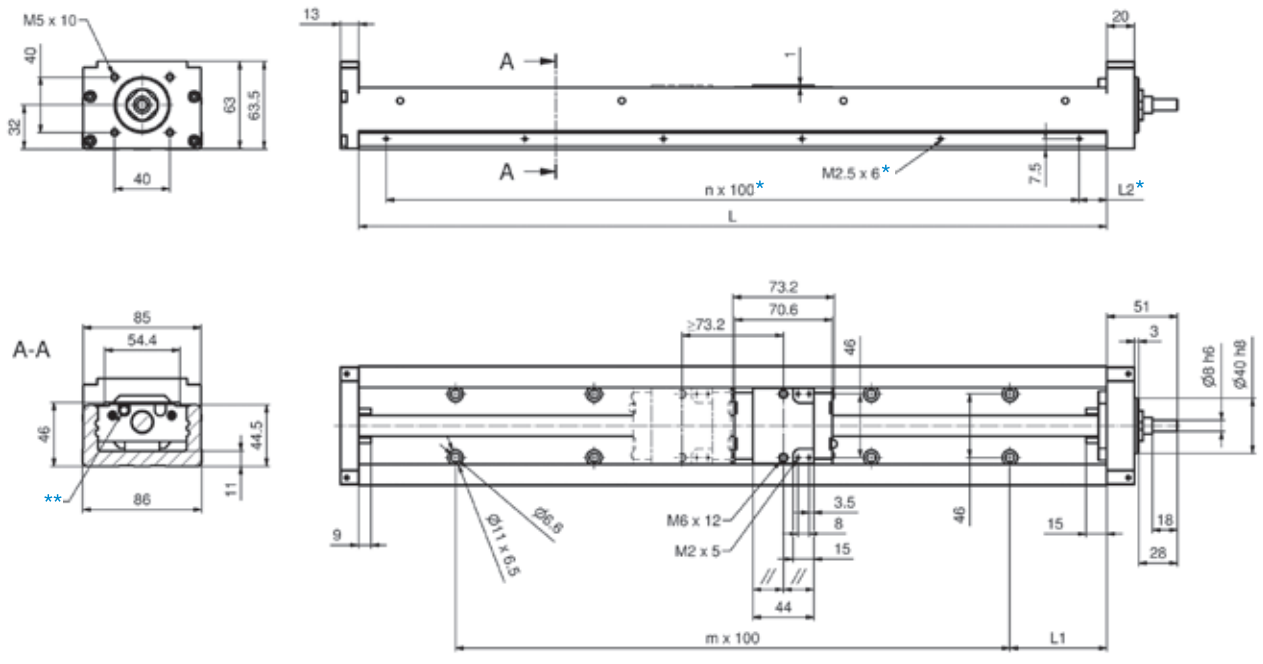
\*on both sides  
\*\*Grease nipple

AXBG46\_A / AXBG46\_B with cover plate



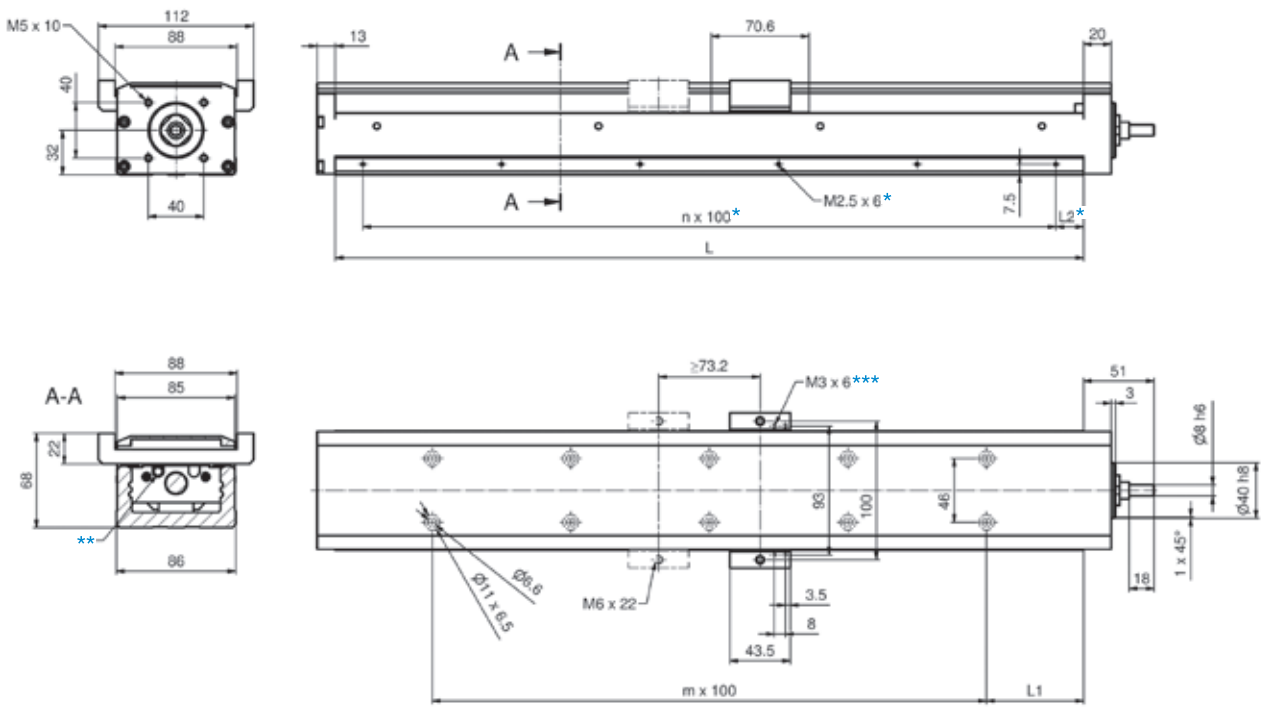
\*on both sides  
\*\*Grease nipple  
\*\*\*Bore holes from the bottom side

AXBG46\_C / AXBG46\_D



\*on both sides  
\*\*Grease nipple

AXBG46\_C / AXBG46\_D with cover plate



\*on both sides  
\*\*Grease nipple  
\*\*\*Bore holes from the bottom side



## Technical data

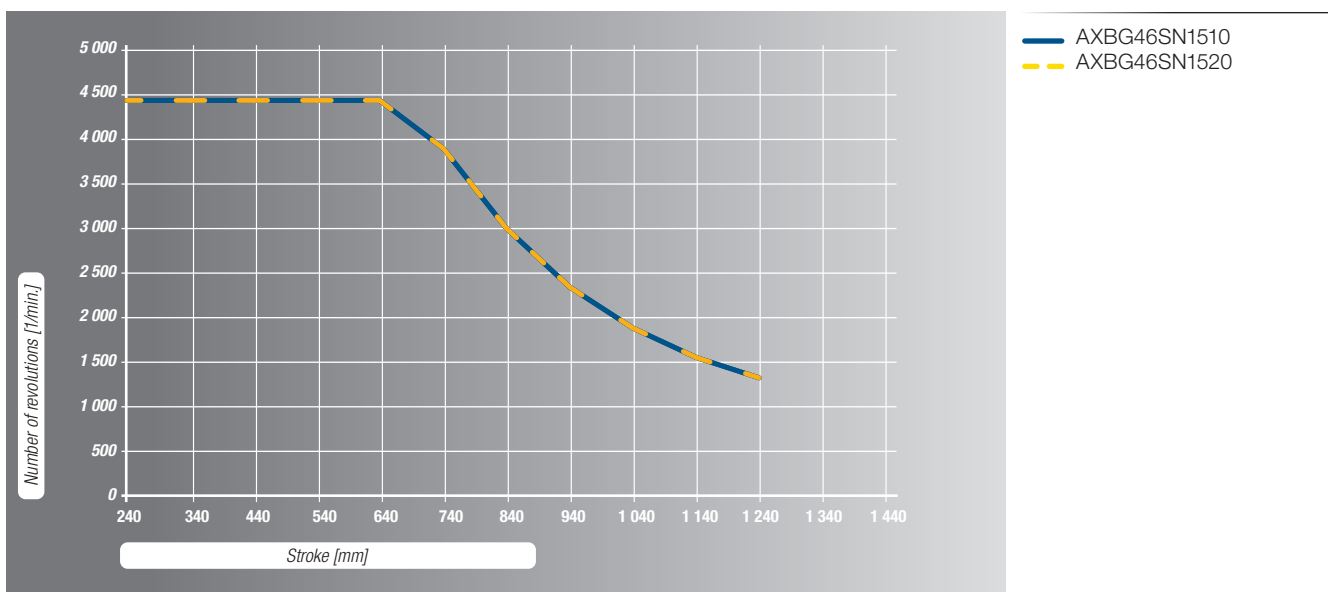
Type		SN1510	SN1520
Drive element		Ball screw	
Screw diameter	mm	15	
Pitch / Pitch direction	mm	10 / right	20 / right
Maximum velocity	m /min	44,4	88,8
Maximum drive torque	Nm	2,9 (1,4*)	5,7 (4,1*)
Maximum axial operating load	N	1 800 (900*)	1 800 (1 300*)
Moment of inertia	Kgcm <sup>2</sup> /m	0,39	
Geometrical moment of inertia (profile) I <sub>y</sub>	cm <sup>4</sup>	24,2	
Geometrical moment of inertia (profile) I <sub>z</sub>	cm <sup>4</sup>	149,0	
Maximum profile length	mm	1 240	

\*For P precision

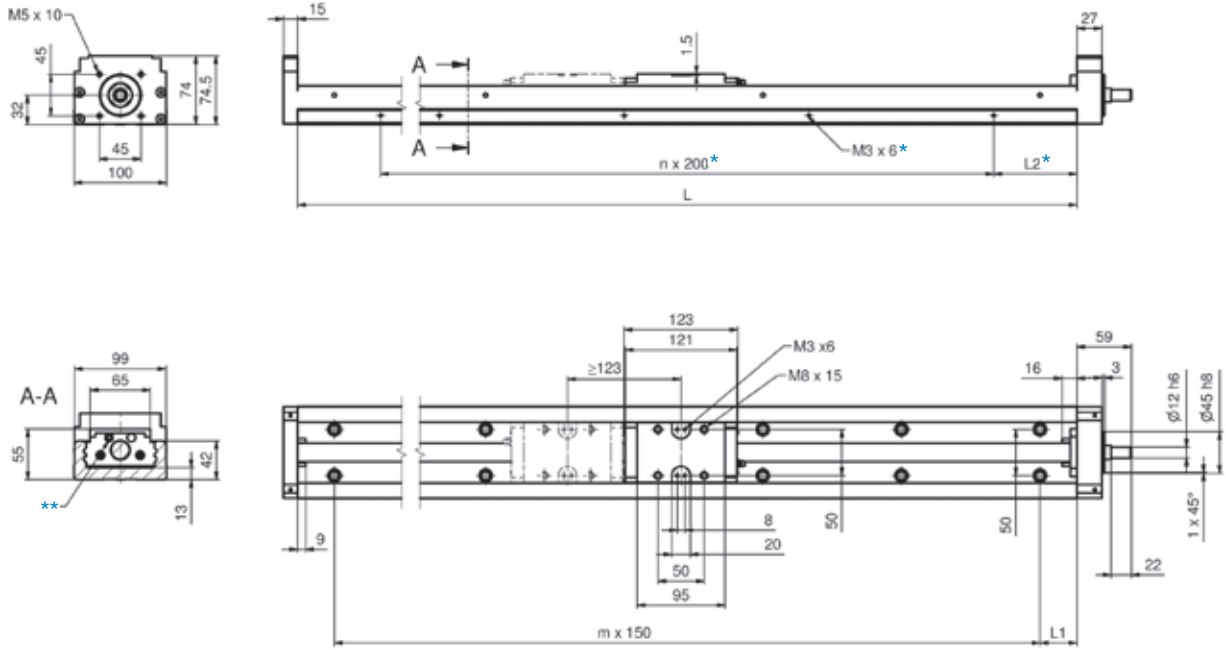
## Dimension and mass

Profile length L	Dimension [mm]		Index		Guiding system Without cover plate [kg]				Guiding system With cover plate [kg]			
	L1	L2	m	n	A	B	C	D	A	B	C	D
340	70	20	2	3	6,50	7,50	6,00	6,50	7,00	8,00	6,50	7,00
440	70	20	3	4	8,00	8,50	7,50	8,00	8,50	9,50	8,00	8,50
540	70	20	4	5	9,00	10,00	8,50	9,50	10,00	11,00	9,50	10,00
640	70	20	5	6	10,50	11,50	10,00	10,50	11,00	12,50	10,50	11,50
740	70	20	6	7	12,00	13,00	11,50	12,00	12,50	14,00	12,00	13,00
840	70	20	7	8	13,00	14,00	13,00	13,50	14,00	15,50	13,50	14,00
940	70	20	8	9	14,50	15,50	14,00	14,50	15,50	16,50	15,00	15,50
1 040	70	20	9	10	16,00	17,00	15,50	16,00	17,00	18,00	16,50	17,00
1 140	70	20	10	11	17,50	18,00	17,00	17,50	18,50	19,50	18,00	18,50
1 240	70	20	11	12	18,50	19,50	18,50	19,00	19,50	21,00	19,00	20,00

## Allowable rotational speed of the ball screw

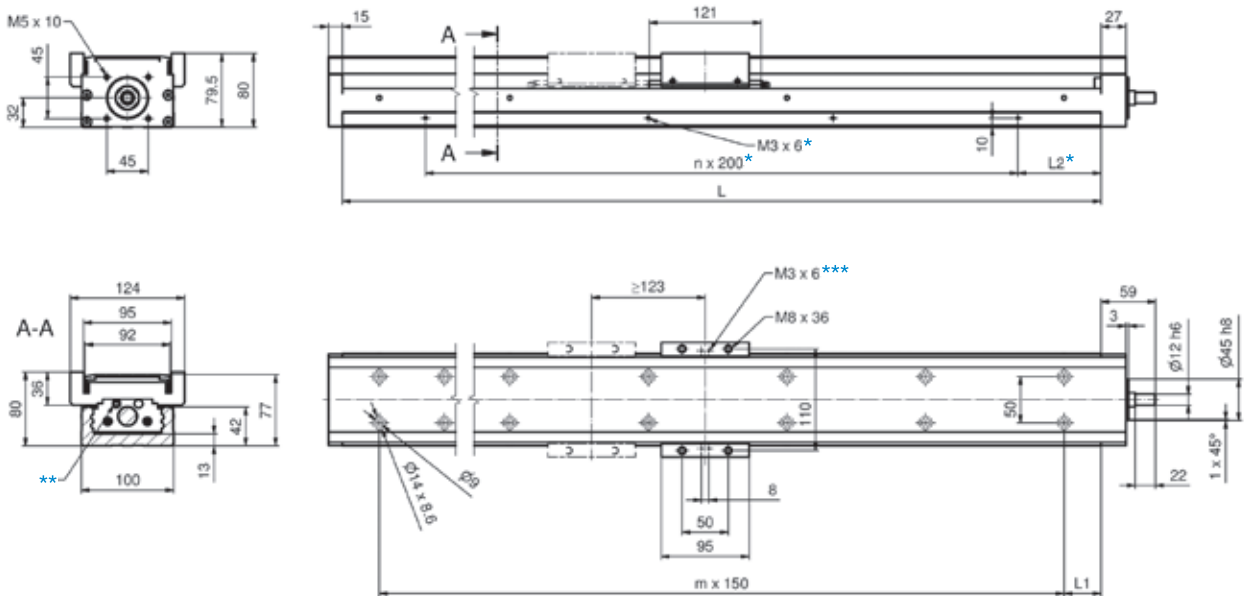


**AXBG55\_A / AXBG55\_B**



\*on both sides  
 \*\*Grease nipple

**AXBG55\_A / AXBG55\_B with cover plate**



\*on both sides  
 \*\*Grease nipple  
 \*\*\*Bore holes from the bottom side

Technical data

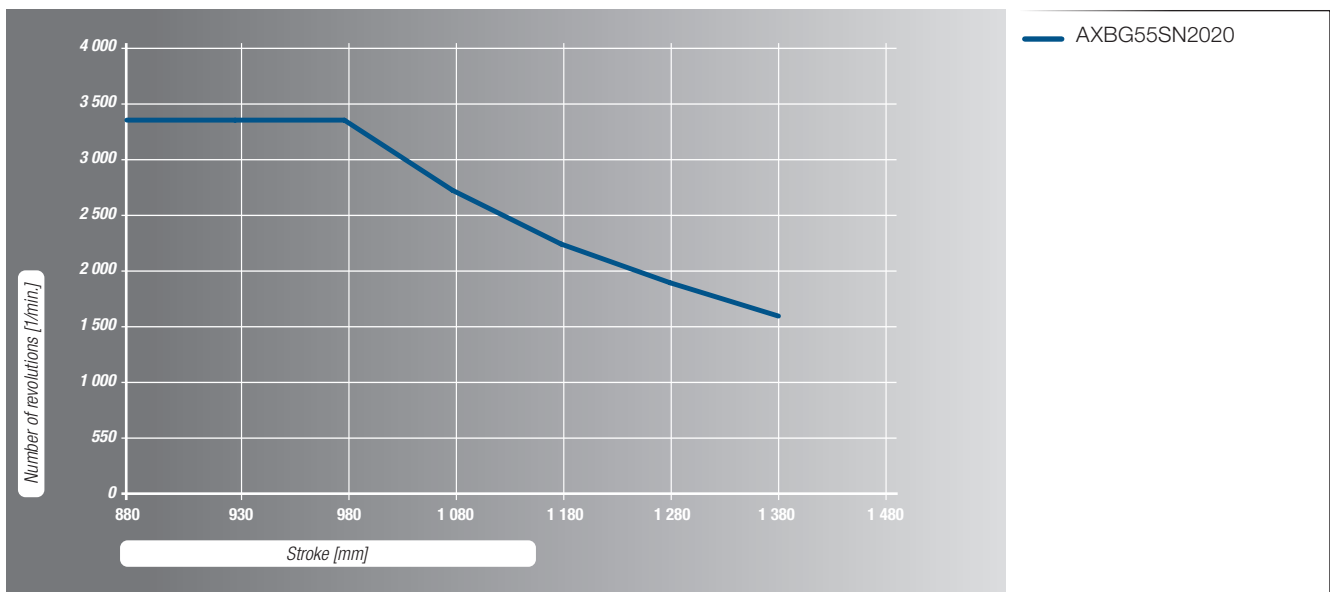
Type		SN2020
Drive element		Ball screw
Spindle diameter	mm	20
Pitch / Pitch direction	mm	20 / right
Maximum velocity	m /min	67,2
Maximum drive torque	Nm	7,3 (5,4*)
Maximum axial operating load	N	2 300 (1 700*)
Moment of inertia	Kgcm <sup>2</sup> /m	1,12
Geometrical moment of inertia (profile) I <sub>y</sub>	cm <sup>4</sup>	22,9
Geometrical moment of inertia (profile) I <sub>z</sub>	cm <sup>4</sup>	228,0
Maximum profile length	mm	1 380

\*For P precision

Dimension and mass

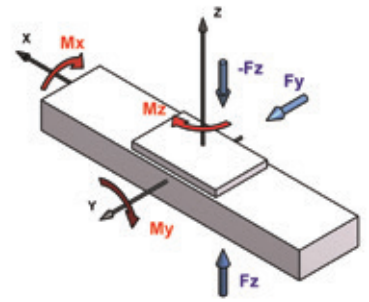
Profile length L	Dimension [mm]		Index		Guiding system Without cover plate [kg]		Guiding system With cover plate [kg]	
	L1	L2	m	n	A	B	A	B
980	40	90	6	4	20,00	22,00	21,00	24,00
1 080	15	40	7	5	22,00	24,00	23,00	26,00
1 180	65	90	7	5	23,00	25,00	25,00	27,00
1 280	40	40	8	6	25,00	27,00	27,00	29,00
1 380	15	90	9	6	27,00	29,00	29,00	31,00

Allowable rotational speed of the ball screw



### 5.6.1.3 Load ratings

Guiding system



Type	Dynamic load rating	Static load rating	Permissible static moments				
	C [kN]	C [kN]	$M_x$ [kNm]	$M_y$ [kNm]	$M_{2y}$ [kNm]	$M_z$ [kNm]	$M_{2z}$ [kNm]
AXBG15_A	2,42	4,76	0,051	0,017	0,092	0,020	0,110
AXBG20_A	4,27	7,89	0,101	0,035	0,199	0,042	0,237
AXBG26_A	7,87	14,98	0,255	0,099	0,550	0,118	0,656
AXBG33_A	12,60	22,70	0,500	0,181	1,035	0,215	1,233
AXBG33_C	7,80	11,40	0,250	0,049	0,368	0,059	0,439
AXBG46_A	29,80	51,20	1,612	0,610	3,285	0,727	3,914
AXBG46_C	19,90	28,80	0,907	0,207	1,336	0,246	1,593
AXBG55_A	43,20	74,00	2,701	1,088	5,465	1,297	6,513

Ball screw

Type	Normal precision		P precision	
	Dynamic load rating	Static load rating	Dynamic load rating	Static load rating
	$C_a$ [kN]	$C_{0a}$ [kN]	$C_a$ [kNm]	$C_{0a}$ [kNm]
AXBG15SN0601	0,39	0,54	0,39	0,54
AXBG15SN0602	0,77	0,75	0,77	0,75
AXBG20SN0601	0,63	1,34	0,63	1,34
AXBG20SN0605	0,65	0,92	0,65	0,92
AXBG26SN0802	2,60	3,64	2,60	3,64
AXBG26SN0805	2,35	3,30	2,35	3,30
AXBG33SN1005	3,35	5,90	2,11	2,95
AXBG33SN1010	2,20	3,50	1,39	1,75
AXBG33SN1220	2,32	4,05	1,46	2,02
AXBG46SN1510	4,40	7,90	2,77	3,95
AXBG46SN1520	4,40	7,90	3,36	5,27
AXBG55SN2020	5,40	10,50	4,12	7,00

Fixed bearing unit

Type	Dynamic load rating	Static load rating
	$C_b$ [kN]	$C_{0b}$ [kN]
AXBG15	1,21	1,08
AXBG20	1,31	1,25
AXBG26	1,79	1,76
AXBG33	4,40	4,36
AXBG46	6,77	7,45
AXBG55	7,74	9,50

## 5.6.1.4 Maximum stroke length

Coded in [mm]

Type	Profile length L	Guiding system			
		A	B*	C	D*
AXBG15	75	30	-	-	-
	100	55	-	-	-
	125	80	46	-	-
	150	105	71	-	-
	175	130	96	-	-
	200	155	121	-	-
AXBG20	100	43	-	-	-
	150	93	51	-	-
	200	143	101	-	-
AXBG26	150	73	-	-	-
	200	123	61	-	-
	250	173	111	-	-
	300	223	161	-	-
AXBG33	150	60	-	85	34
	200	110	-	135	84
	300	210	133	235	184
	400	310	233	335	284
	500	410	333	435	384
	600	510	433	535	484
AXBG46	340	209	100	245	172
	440	309	200	345	272
	540	409	300	445	372
	640	509	400	545	472
	740	609	500	645	572
	840	709	600	745	672
	940	809	700	845	772
	1 040	909	800	945	872
	1 140	1 009	900	1 045	972
	1 240	1 109	1 000	1 145	1 072
AXBG55	980	834	711	-	-
	1 080	934	811	-	-
	1 180	1 034	911	-	-
	1 280	1 134	1 011	-	-
		1 234	1 111	-	-

\*Stroke lengths for two carriages with direct contact

### 5.6.1.5 Precision classes

Type	Profile Length L	Repeatability		Position accuracy		Running parallelism		Backlash		Starting moment	
		N [μm]	P [μm]	N [μm]	P [μm]	N [μm]	P [μm]	N [μm]	P [μm]	N [Nm]	P [Nm]
AXBG15	75	±3	±1	40	20	20	10	5	2	0,01	0,012
	100										
	125										
	150										
	175										
	200										
AXBG20	100	±3	±1	50	20	25	10	5	2	0,01	0,012
	150										
	200										
AXBG26	150	±3	±1	50	20	25	10	5	2	0,015	0,04
	200										
	250										
	300										
AXBG33	150	±3	±1	30	15	25	10	5	2	0,07	0,15
	200										
	300										
	400										
	500		40	25	35	15					
	600		-	70	-	-					
AXBG46	340	±3	±1	35	20	35	15	5	2	0,1	0,15
	440										
	540										
	640										
	740		40	25	40	20					
	840		50	30	40	20					
	940		-	-	50	-					
	1 040										
	1 140										
	1 240										
AXBG55	980	±3	±1	80	35	50	25	5	2	0,12	0,17
	1 080										
	1 180										
	1 280		-	-	100	-					
	1 380										
	-										

## 5.7 AXS System Program Axis

### 5.7.1 AXS\_TA Telescopic Axis with toothed belt / $\Omega$ - drive

#### 5.7.1.1 Structure

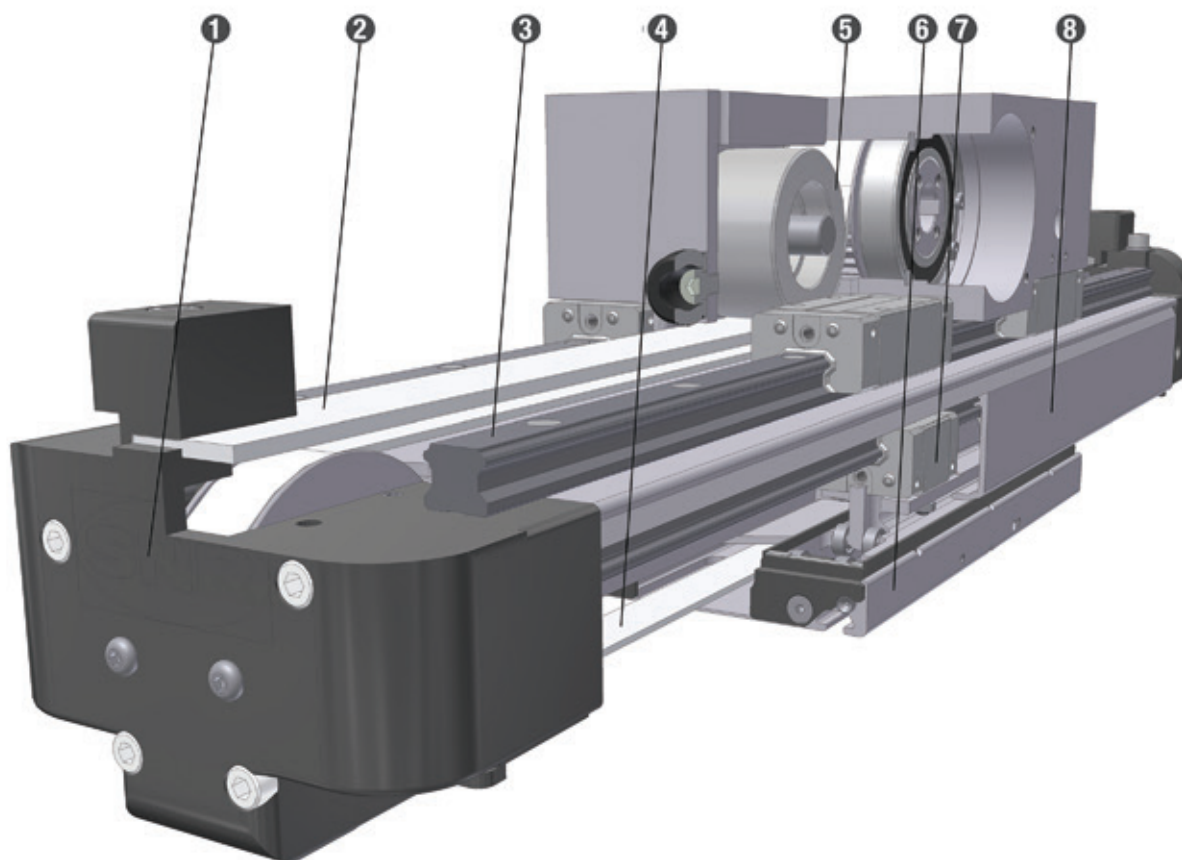
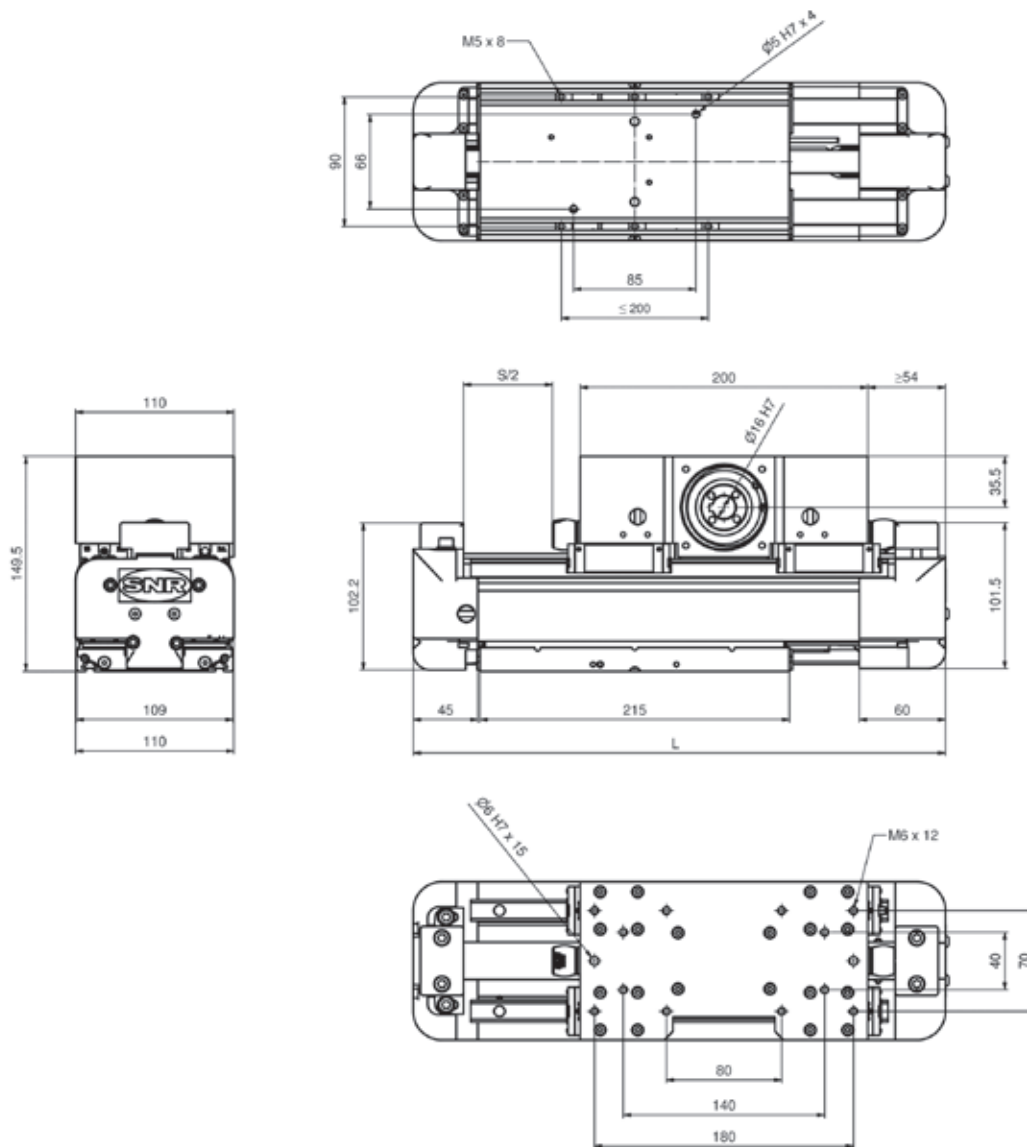


Figure 5.31 — Structure AXS\_TA

- ① Deflection unit
- ② Toothed belt 1
- ③ Guiding level 1
- ④ Toothed belt 2
- ⑤ Operating head
- ⑥ Slider unit
- ⑦ Guiding level 2
- ⑧ Profile

## 5.7.1.2 Dimensions / Technical data

### AXS110TA



**S** = Stroke

**L** =  $S/2 + 310$  mm

#### Technical data

Guiding system		Guiding level 1	Guiding level 2
		Linear guide D	
Drive element		Toothed belt 25STD5	Toothed belt 16AT3
Maximum velocity	m /min	300	600
Allowable dynamic operation load	N	980	350
Stroke per revolution	mm	340 <sup>+1</sup>	
Idling speed torque	Nm	3,2	
Maximum drive torque	Nm	26,5	
Maximum energy absorption from the shock absorber	Nm	21	
Moment of inertia <sup>1</sup>	Kgcm <sup>2</sup>	2,83	
Geometrical moment of inertia (profile) $I_y$	cm <sup>4</sup>	79,7	
Geometrical moment of inertia (profile) $I_z$	cm <sup>4</sup>	384,6	
Maximum total length	m	6,0	
Repeatability	mm	0,05	

<sup>1</sup> : Moment of inertia without gearbox



## Mass

Guiding system		Linear guide D	
		Guiding level 1	Guiding level 2
Basic mass (including slider mass)	kg	9,0	5,5
Mass per 100 mm stroke	kg		0,4
Slider mass	kg	0,9	

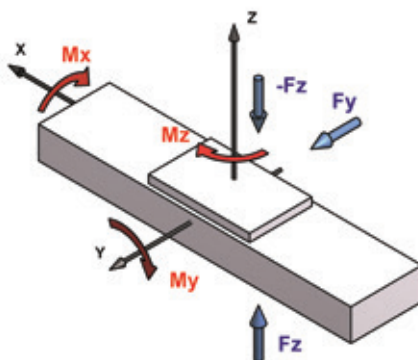
### 5.7.1.3 Maximum static load capacity

Type	Guiding system	Load [N]		Load moment [Nm]		
		$F_y$	$F_z$	$M_x$	$M_y$	$M_z$
AXS110TA	1	42 500	42 500	1 700	7 000	7 000
	2	28 500	28 500	370	2 600	2 600

### 5.7.1.4 Dynamic load capacity

The dynamic load capacities of the guiding systems are based on a nominal life time of 50 000 km.

Type	Guiding system	Load [N]		Load moment [Nm]		
		$F_y$	$F_z$	$M_x$	$M_y$	$M_z$
AXS110TA	1	7 000	7 000	240	500	500
	2	2 900	2 900	100	140	140



## 5.7.2 AXS\_M Lifting Axis with rack and pinion drive

### 5.7.2.1 Structure

#### Lifting Axis

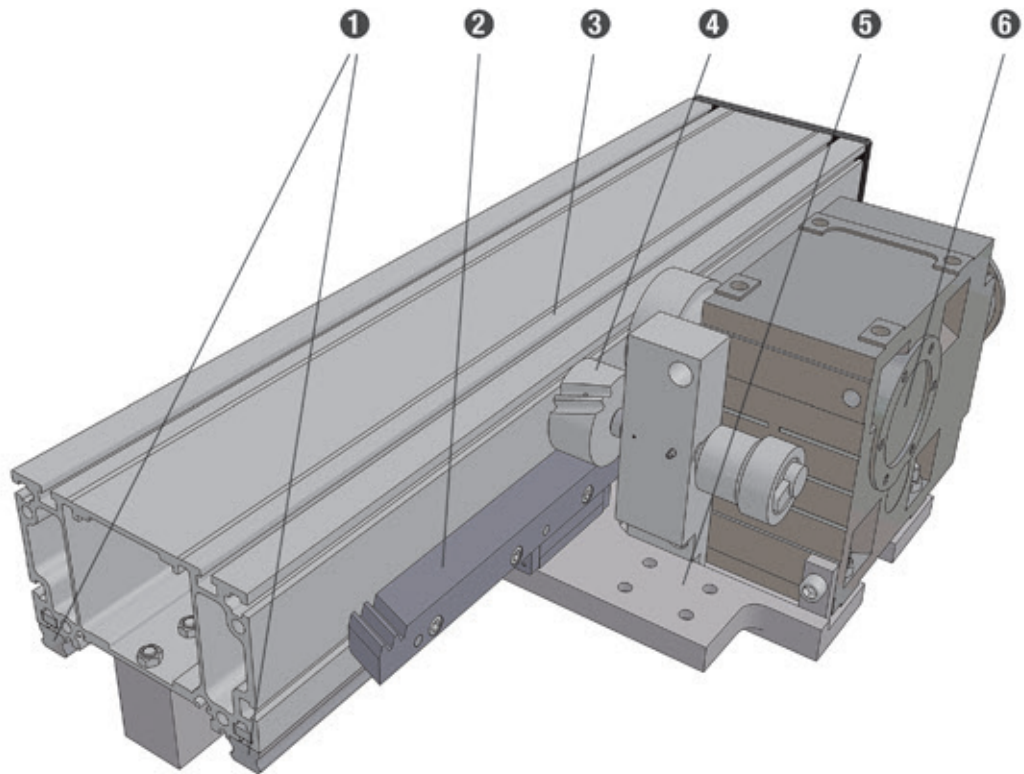
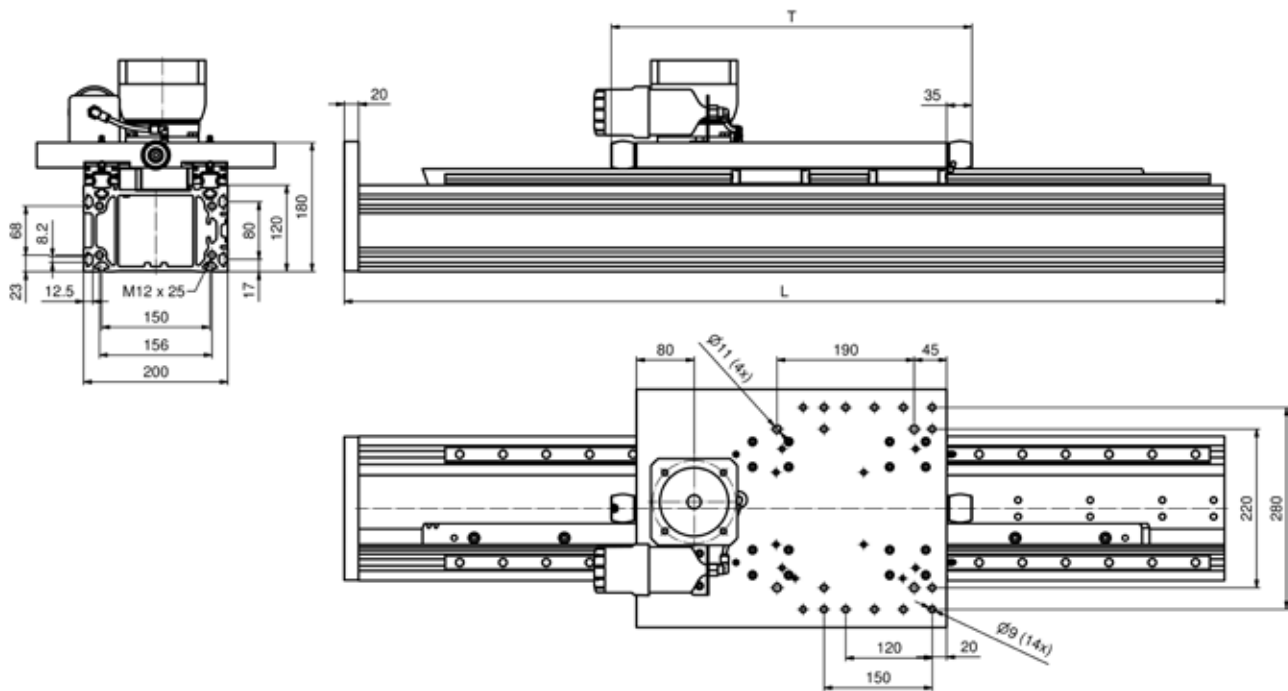


Figure 5.32 — Structure AXS\_M Lifting Axis

- ❶ Guiding system
- ❷ Toothed rack
- ❸ Profile
- ❹ Lubrication pinion
- ❺ Slider unit
- ❻ Gearbox

## 5.7.2.2 Dimensions / Technical data

### AXS200ME Lifting Axis (for combination with Gantry Axis AXS280\_)



Dimensions L6 and L7 from Chapter 7.3, Table 7.2  
Gerbox dimension from Chapter 6.2.1, Table 6.17

**S** = Stroke

**L** = S + T + 20 mm

#### Technical data

Guiding system		Linear guide D	Linear guide E	Linear guide G
Table length T	mm	500	680	550
			top table for direct combination with AXS280Y_R      AXS280MP_-R	
Drive element		Toothed rack, module 3		
Maximum velocity	m /min	300		
Allowable dynamic operation load	N	4 400		
Stroke per revolution	mm	200		
Idling speed torque	Nm	1,7		
Maximum drive torque at the gearbox output (emergency stop)	Nm	220		
Maximum energy absorption of the shock absorber	Nm	130		
Moment of inertia <sup>1</sup>	Kgcm <sup>2</sup>	22,7		
Geometrical moment of inertia (profile) I <sub>y</sub>	cm <sup>4</sup>	2 380		
Geometrical moment of inertia (profile) I <sub>z</sub>	cm <sup>4</sup>	4 810		
Maximum total length	m	6,0 (2,0 <sup>2</sup> )		
Repeatability	mm	0,05		

<sup>1</sup> - Moment of inertia without gearbox

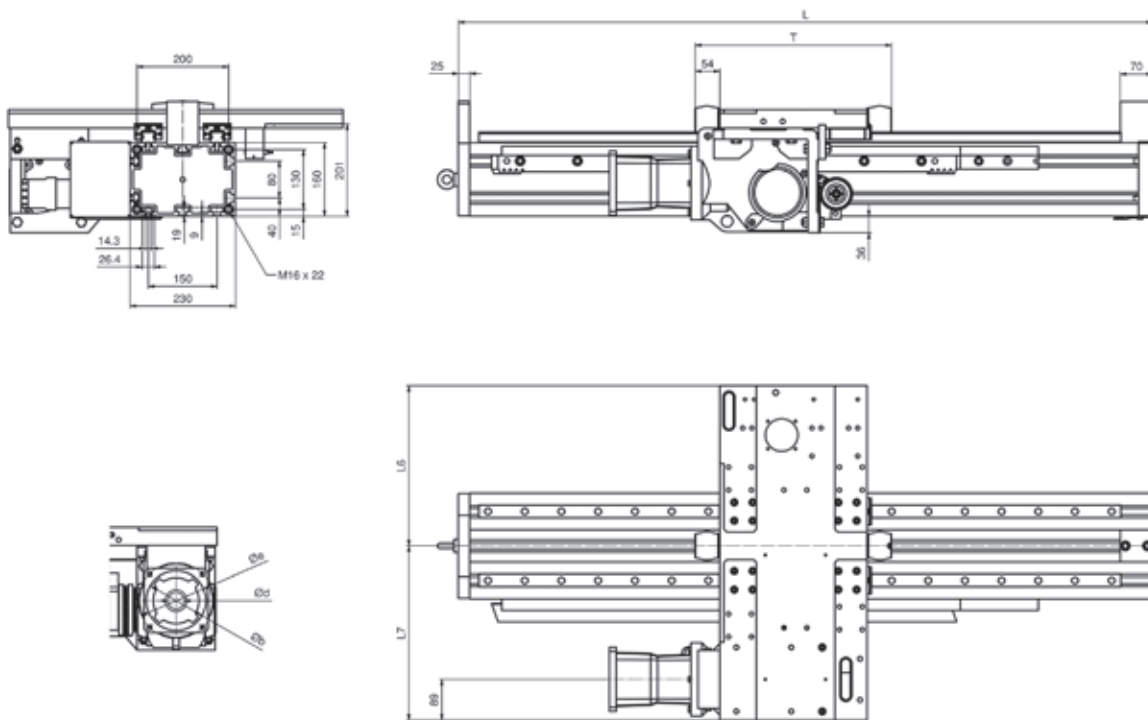
<sup>2</sup> - Maximum length with improved straightness according Chapter 2.10

#### Mass

Guiding system		Linear guide D	Linear guide E	Linear guide G
Basic mass (including slider mass)	kg	37,5	46,5	37,5
Mass per 100 mm stroke	kg	3,15	3,15	3,15
Slider mass	kg	16,0	25,0	16,0

Masses without gearbox

## AXS230MB Lifting Axis (for combination with Gantry Axis AXS280MP and AXS460MP)



Dimensions L6 and L7 from Chapter 7.3, Table 7.2  
Gerbox dimension from Chapter 6.2.1, Table 6.17

**S** = Stroke

**L** = S + T + 95 mm

### Technical data

Guiding system		Linear guide D	Linear guide E	Linear guide G
Table length T	mm	429	558	720
Drive element		Toothed rack, module 4		
Maximum velocity	m /min	180		
Allowable dynamic operation load	N	7 650 - 10 000 <sup>3</sup>		
Stroke per revolution	mm	280		
Idling speed torque	Nm	3,6		
Maximum drive torque at the gearbox output (emergency stop)	Nm	340 - 1 110 <sup>3</sup>		
Maximum energy absorption of the shock absorber	Nm	280		
Moment of inertia <sup>1</sup>	Kgcm <sup>2</sup>	49,2		
Geometrical moment of inertia (profile) I <sub>y</sub>	cm <sup>4</sup>	8 850		
Geometrical moment of inertia (profile) I <sub>z</sub>	cm <sup>4</sup>	6 780		
Maximum total length	m	10,0 (2,0 <sup>2</sup> )		
Repeatability	mm	0,05		

<sup>1</sup> - Moment of inertia without gearbox

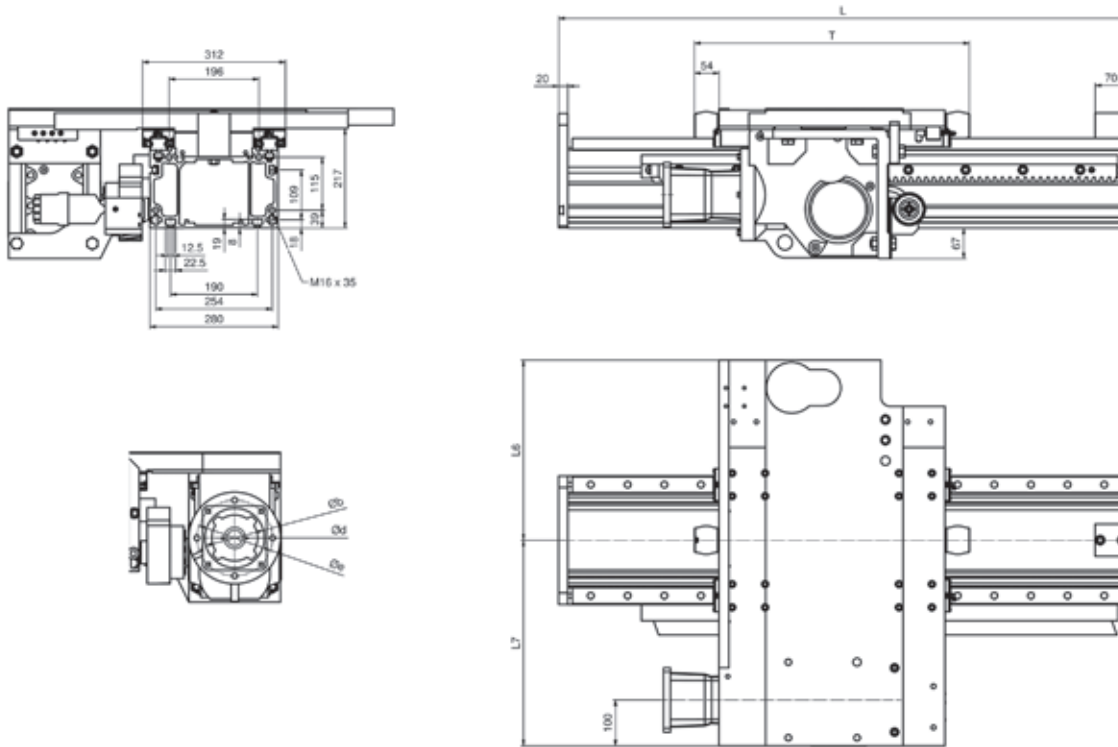
<sup>2</sup> - Maximum length with improved straightness according Chapter 2.10

<sup>3</sup> - Depending on gearbox version - use our calculation service

### Mass

Guiding system		Linear guide D	Linear guide E	Linear guide G
Basic mass (including slider mass)	kg	56,0	65,3	85,0
Mass per 100 mm stroke	kg	4,4	4,4	4,4
Slider mass	kg	30,5	40,5	53,0

## AXS280MB Lifting Axis (for combination with Gantry Axis AXS460MP and AXS500MP)



Dimensions L6 and L7 from Chapter 7.3, Table 7.2  
Gerbox dimension from Chapter 6.2.1, Table 6.17

**S** = Stroke

**L** = S + T 90 mm

### Technical data

Guiding system		Linear guide D
Table length T	mm	600
Drive element		Toothed rack, module 5
Maximum velocity	m /min	198
Allowable dynamic operation load	N	12 630 - 18 000 <sup>3</sup>
Stroke per revolution	mm	400
Idling speed torque	Nm	6,6
Maximum drive torque at the gearbox output (emergency stop)	Nm	800 - 2 865 <sup>3</sup>
Maximum energy absorption of the shock absorber	Nm	280
Moment of inertia <sup>1</sup>	Kgcm <sup>2</sup>	139
Geometrical moment of inertia (profile) Iy	cm <sup>4</sup>	14 645
Geometrical moment of inertia (profile) Iz	cm <sup>4</sup>	7 958
Maximum total length	m	10,0 (3,0 <sup>2</sup> )
Repeatability	mm	0,05

<sup>1</sup> - Moment of inertia without gearbox

<sup>2</sup> - Maximum length with improved straightness according Chapter 2.10

<sup>3</sup> - Depending on gearbox version - use our calculation service

### Mass

Guiding system		Linear guide D
Basic mass (including slider mass)	kg	96,0
Mass per 100 mm stroke	kg	5,9
Slider mass	kg	54,5

Masses without gearbox

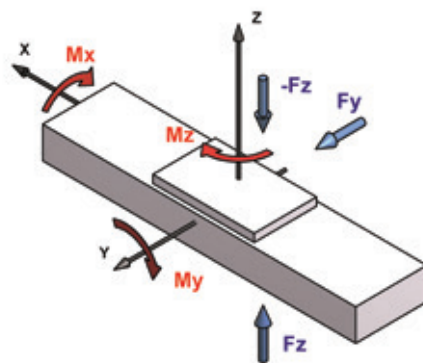
### 5.7.2.3 Maximum static load capacity

Type	Guiding system	Load [N]		Load moment [Nm]		
		$F_y$	$F_z$	$M_x$	$M_y$	$M_z$
AXS200ME	D	51 400	51 400	3 850	4 850	4 850
	E	51 400	51 400	3 850	9 500	9 500
	G	51 400	51 400	3 850	4 850	4 850
AXS280MP	D	57 000	57 000	4 300	6 900	6 900
	E	57 000	57 000	4 300	12 000	12 000
	G	57 000	57 000	4 300	9 500	9 500
AXS280MB	D	100 000	100 000	12 250	18 500	18 500

### 5.7.2.4 Dynamic load capacity

The dynamic load capacities of the guiding systems are based on a nominal life time of 50 000 km.

Type	Guiding system	Load [N]		Load moment [Nm]		
		$F_y$	$F_z$	$M_x$	$M_y$	$M_z$
AXS200ME	D	14 700	14 700	1 100	1 400	1 400
	E	14 700	14 700	1 100	2 750	2 750
	G	14 700	14 700	1 100	1 400	1 400
AXS280MP	D	19 000	19 000	1 400	2 150	2 150
	E	19 000	19 000	1 400	4 000	4 000
	G	19 000	19 000	1 400	3 200	3 200
AXS280MB	D	29 000	29 000	3 500	5 250	5 250



## 5.7.3 AXS\_M Gantry Axis with rack and pinion drive

### 5.7.3.1 Structure

#### Lifting Axis

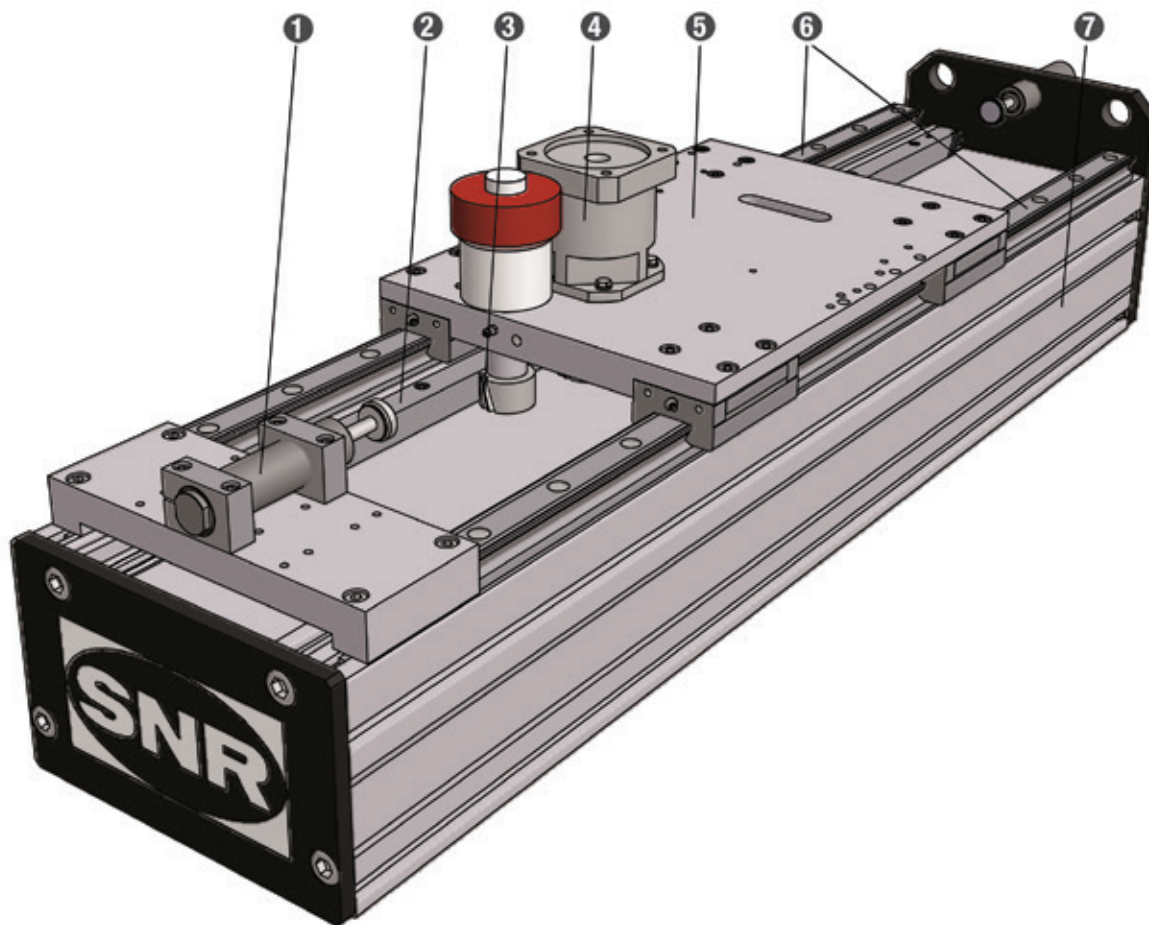
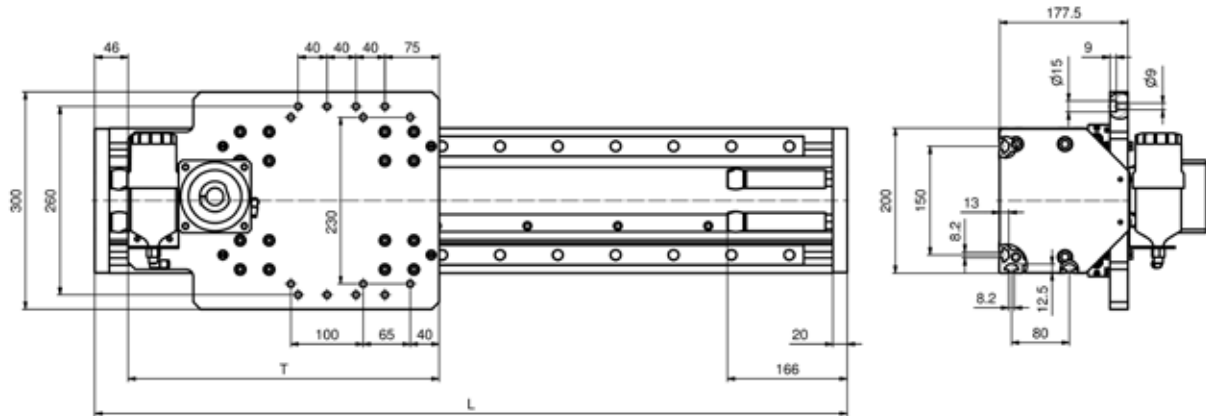


Figure 5.33 — Structure AXS\_M Gantry Axis with rack and pinion drive

- ① Shock absorber
- ② Toothed rack
- ③ Pinion
- ④ Gearbox
- ⑤ Slider unit
- ⑥ Guiding system
- ⑦ Profile

### 5.7.3.2 Dimensions / Technical data

#### AXS200MP Gantry Axis



Gearbox dimensions from Chapter 6.2.1, Table 6.17

**S** = Stroke

**L** = S + T + 212 mm

#### Technical data

Guiding system		Linear guide D	Linear guide R
Table length T	mm	430	440 without top table for direct combination with AXDL160A
Drive element		Toothed rack, module 2	
Maximum velocity	m /min	300	
Allowable dynamic operation load	N	3 500	
Stroke per revolution	mm	166,67	
Idling speed torque	Nm	1,7	
Maximum drive torque at the gearbox output (emergency stop)	Nm	100	
Maximum energy absorption of the shock absorber	Nm	92	
Moment of inertia <sup>1</sup>	Kgcm <sup>2</sup>	1,6	
Geometrical moment of inertia (profile) I <sub>y</sub>	cm <sup>4</sup>	2 220	
Geometrical moment of inertia (profile) I <sub>z</sub>	cm <sup>4</sup>	5 280	
Maximum total length <sup>2</sup>	m	8,0	
Repeatability	mm	0,05	

<sup>1</sup> - Moment of inertia without gearbox

<sup>2</sup> - one-piece, larger lengths consisting of segments possible

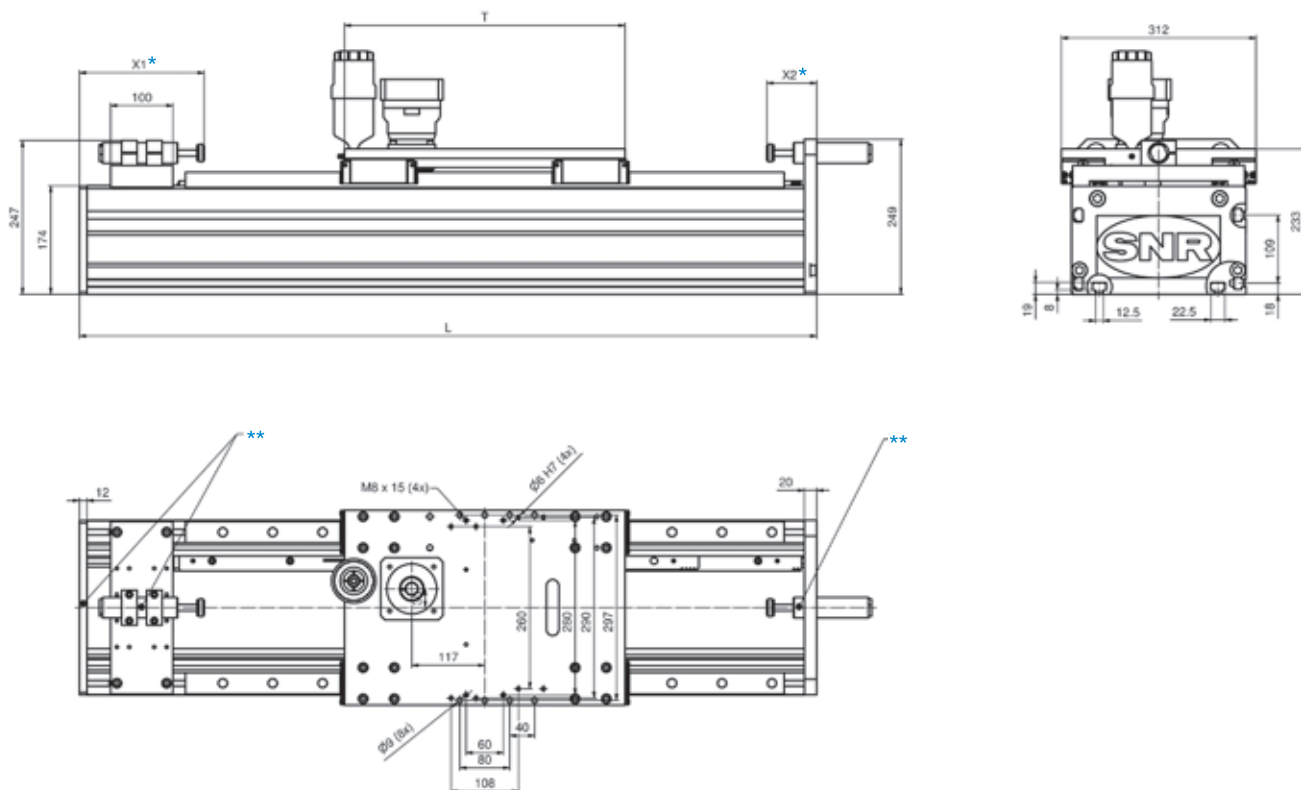
#### Mass

Guiding system		Linear guide D	Linear guide R
Basic mass (including slider mass)	kg	33,4	25,9
Mass per 100 mm stroke	kg	3,4	3,4
Slider mass	kg	11,3	3,8

Masses without gearbox



## AXS280MP Gantry Axis



Gearbox dimension from Chapter 6.2.1, Table 6.17

**S** = Stroke

**L** =  $S + T + X_1 + X_2$

**E** =  $m/2 * v^2$

**m** = moved mass

**v** = velocity

\*  $X_1$  and  $X_2$  must be specified

\*\* Shock absorber fixation optional in the end plate ( $X_1, X_2 = 80\text{mm} \dots 165\text{mm}$ ) or in a traverse ( $X_1, X_2 > 165\text{ mm}$ )

### Technical data

Guiding system		Linear guide D	Linear guide R	Linear guide S	Linear guide T	Linear guide U
Table length T	mm		550	730	875	528
			without top table for direct combination with			
			AXS200ME	AXS230MB	AXC280TV	AXDL240A
Drive element		Toothed rack, module 2				
Maximum velocity	m /min	198				
Allowable dynamic operation load	N	3 080				
Stroke per revolution	mm	200				
Idling speed torque	Nm	2,9				
Maximum drive torque at the gearbox output (emergency stop)	Nm	100				
Maximum energy absorption of the shock absorber E	Nm	1,8...3,5 m/s: 0,8...2,2 m/s:	A: 500Nm B: 650Nm	C: 180Nm D: 180Nm	F: 1 100Nm	I: 1 400 J: 2 600Nm
Moment of inertia <sup>1</sup>	Kgcm <sup>2</sup>	76,4				
Geometrical moment of inertia (profile) $I_y$	cm <sup>4</sup>	14 645				
Geometrical moment of inertia (profile) $I_z$	cm <sup>4</sup>	7 958				
Maximum total length <sup>2</sup>	m	10,0				
Repeatability	mm	0,05				

<sup>1</sup> - Moment of inertia without gearbox

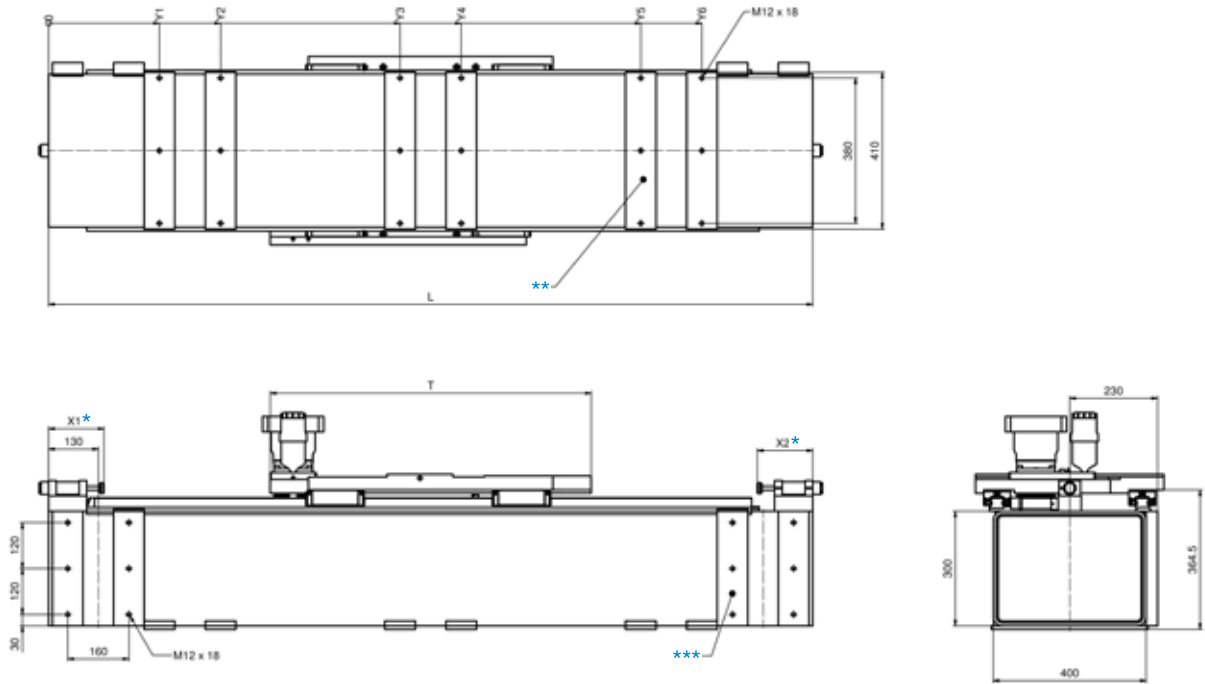
<sup>2</sup> - one-piece, larger lengths consisting of segments possible

### Mass

Guiding system		Linear guide D	Linear guide R	Linear guide S	Linear guide T	Linear guide U
Basic mass (including slider mass)	kg	52,0	41,1	49,9	58,0	49,5
Mass per 100 mm stroke	kg	4,9	4,9	4,9	4,9	4,9
if $X_1 > 165\text{ mm}$	mass for profile extension	$((X_1 - 65)/100) * 4,9$	$((X_1 - 65)/100) * 4,9$	$((X_1 - 65)/100) * 4,9$	$((X_1 - 65)/100) * 4,9$	$((X_1 - 65)/100) * 4,9$
if $X_2 > 165\text{ mm}$	mass for profile extension	$((X_2 - 65)/100) * 4,9$	$((X_2 - 65)/100) * 4,9$	$((X_2 - 65)/100) * 4,9$	$((X_2 - 65)/100) * 4,9$	$((X_2 - 65)/100) * 4,9$
Slider mass	kg	16,5	8,4	8,4	8,4	8,4

Masses without gearbox

## AXS460MP Gantry Axis



Gearbox dimension from Chapter 6.2.1, Table 6.17

**S** = Stroke

**L** = S + T + X1 + X2

**E** =  $m/2 \cdot v^2$

**m** = moved mass

**v** = velocity

\* X1 and X2 must be specified

\*\* ( $\geq 145$  mm)

\*\*\*Mounting surface for fastening on gantry support legs

Technical data

Guiding system		Linear guide R	Linear guide S	Linear guide T
Table length T	mm	720	840	875
		without top table for direct combination with		
		AXS230MB	AXS280MB	AXS280TV
Drive element		Toothed rack, module 3		
Maximum velocity	m /min	300		
Allowable dynamic operation load	N	6 000		
Stroke per revolution	mm	250		
Idling speed torque	Nm	4,1		
Maximum drive torque at the gearbox output (emergency stop)	Nm	300		
Maximum energy absorption of the shock absorber E	Nm	1,8...3,5 m/s: A: 500Nm C: 180Nm F: 1 100Nm I: 1 400 J: 2 600Nm 0,8...2,2 m/s: B: 650Nm D: 180Nm		
Moment of inertia <sup>1</sup>	Kgcm <sup>2</sup>	23,6		
Geometrical moment of inertia (profile) I <sub>y</sub>	cm <sup>4</sup>	88 498		
Geometrical moment of inertia (profile) I <sub>z</sub>	cm <sup>4</sup>	54 170		
Maximum total length <sup>2</sup>	m	10,0		
Repeatability	mm	0,05		

<sup>1</sup> - Moment of inertia without gearbox

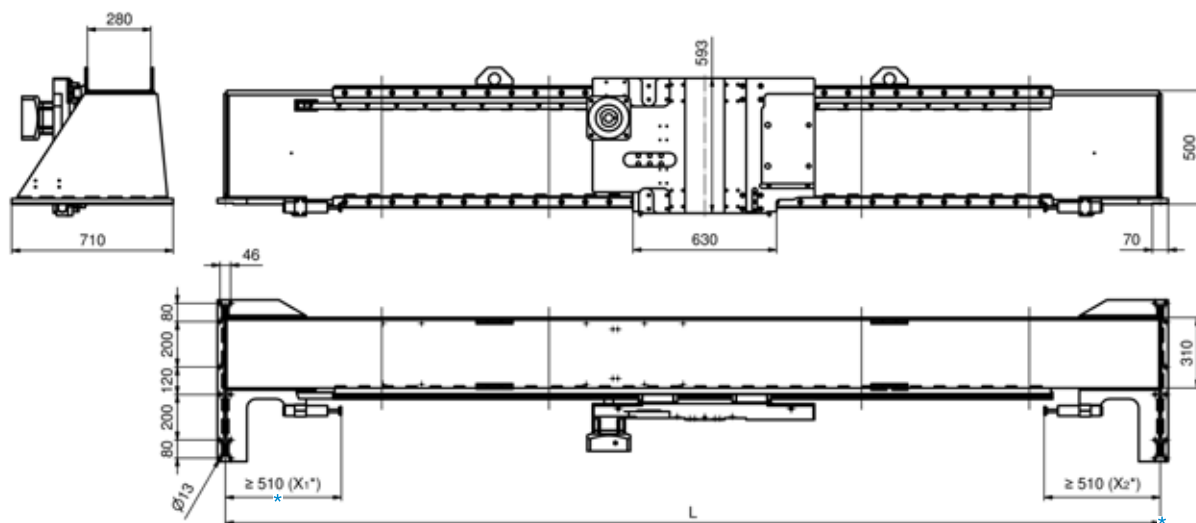
<sup>2</sup> - one-piece, larger lengths consisting of segments possible

Mass

Guiding system		Linear guide R	Linear guide S	Linear guide T
Basic mass (including slider mass)	kg	101,0	111,0	126,0
Mass per 100 mm stroke	kg	8,9	8,9	8,9
if X <sub>1</sub> > 165 mm	mass for profile extension	$((X1-45)/100)*8,9$	$((X1-45)/100)*8,9$	$((X1-45)/100)*8,9$
if X <sub>2</sub> > 165 mm	mass for profile extension	$((X2-45)/100)*8,9$	$((X2-45)/100)*8,9$	$((X2-65)/100)*8,9$
Slider mass	kg	8,0	8,0	8,0

Masses without gearbox

## AXS500MP Gantry Axis



Gearbox dimension from Chapter 6.2.1, Table 6.17

**S** = Stroke

**L** = S + T + X1 + X2

**E** =  $m/2 \cdot v^2$

**m** = moved mass

**v** = velocity

\* X1 and X2 must be specified

### Technical data

Guiding system		Linear guide R	Linear guide T
Table length T	mm	975 without top table for direct combination with AXS280MB	875 AXS280TV
Drive element		Toothed rack, module 3	
Maximum velocity	m /min	300	
Allowable dynamic operation load	N	6 000	
Stroke per revolution	mm	250	
Idling speed torque	Nm	4,8	
Maximum drive torque at the gearbox output (emergency stop)	Nm	450	
Maximum energy absorption of the shock absorber E	Nm	1,8...3,5 m/s: 0,8...2,2 m/s:	J: 2 600 Nm K: 1 500 Nm
Moment of inertia <sup>1</sup>	Kgcm <sup>2</sup>	23,6	
Geometrical moment of inertia (profile) I <sub>y</sub>	cm <sup>4</sup>	119 500	
Geometrical moment of inertia (profile) I <sub>z</sub>	cm <sup>4</sup>	45 000	
Maximum total length <sup>2</sup>	m	12,0	
Repeatability	mm	0,05	

<sup>1</sup> - Moment of inertia without gearbox

<sup>2</sup> - one-piece, larger lengths consisting of segments possible

### Mass

Guiding system		Linear guide R	Linear guide T
Basic mass (including slider mass)	kg	285,2	263,4
Mass per 100 mm stroke	kg	21,8	21,8
if X <sub>1</sub> > 510 mm mass for profile extension	Kg	$((X_1-510)/100)*21,8$	$((X_1-510)/100)*21,8$
if X <sub>2</sub> > 510 mm mass for profile extension	kg	$((X_2-510)/100)*21,8$	$((X_2-510)/100)*21,8$
Slider mass	kg	12,3	12,3

Masses without gearbox

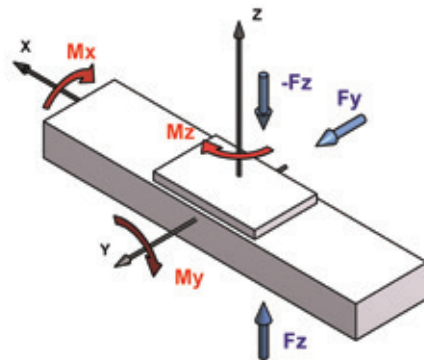
### 5.7.3.3 Maximum static load capacity

Type	Guiding system	Load [N]		Load moment [Nm]		
		$F_y$	$F_z$	$M_x$	$M_y$	$M_z$
AXS200MP	D	57 000	57 000	4 300	5 750	5 750
	R	57 000	57 000	4 300	6 300	6 300
AXS280MP	D	82 000	82 000	9 900	14 000	14 000
	R	82 000	82 000	9 900	14 000	14 000
	S	82 000	82 000	9 900	12 500	12 500
	T	82 000	82 000	9 900	15 000	15 000
	U	82 000	82 000	9 900	12 800	12 800
AXS460MP	R	100 000	100 000	19 000	26 500	26 500
	S	100 000	100 000	19 000	26 500	26 500
	T	100 000	100 000	19 000	26 500	26 500
AXS500MP	R	133 000	133 000	27 500	32 000	32 000
	T	133 000	133 000	27 500	32 000	32 000

### 5.7.3.4 Dynamic load capacity

The dynamic load capacities of the guiding systems are based on a nominal life time of 50 000 km.

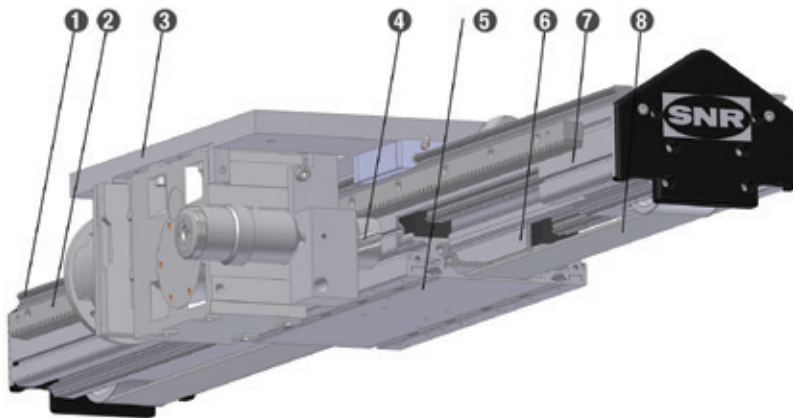
Type	Guiding system	Load [N]		Load moment [Nm]		
		$F_y$	$F_z$	$M_x$	$M_y$	$M_z$
AXS200MP	D	19 000	19 000	1 400	1 900	1 900
	R	19 000	19 000	1 400	1 900	1 900
AXS280MP	D	26 500	26 500	3 200	4 500	4 500
	R	26 500	26 500	3 200	4 500	4 500
	S	26 500	26 500	3 200	4 000	4 000
	T	26 500	26 500	3 200	4 800	4 800
	U	26 500	26 500	3 200	4 100	4 100
AXS460MP	R	29 000	29 000	5 500	7 500	7 500
	S	29 000	29 000	5 500	7 500	7 500
	T	29 000	29 000	5 500	7 500	7 500
AXS500MP	R	50 500	50 500	10 000	12 000	12 000
	T	50 500	50 500	10 000	12 000	12 000



## 5.7.4 AXS\_T Horizontal and vertical Telescopic Axis with rack and pinion drive / toothed belt drive

### 5.7.4.1 Structure

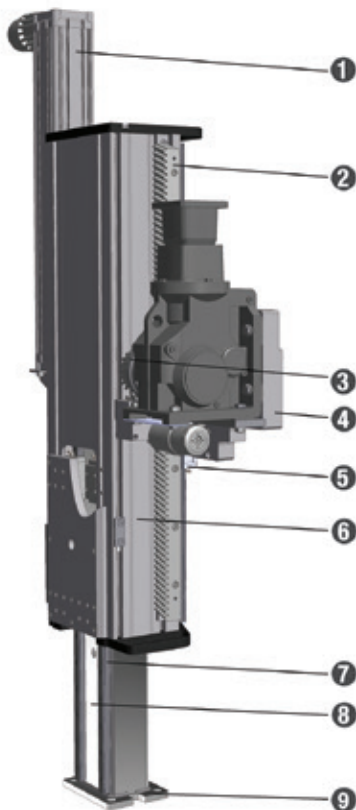
#### Horizontal Telescopic Axis



- ① Guiding level 1
- ② Toothed rack
- ③ Base plate
- ④ Pinion
- ⑤ Slider unit
- ⑥ Guiding level 2
- ⑦ Profile
- ⑧ Toothed belt

Figure 5.34 — Structure AXS\_TH Horizontal Telescopic Axis

#### Vertical Telescopic Axis

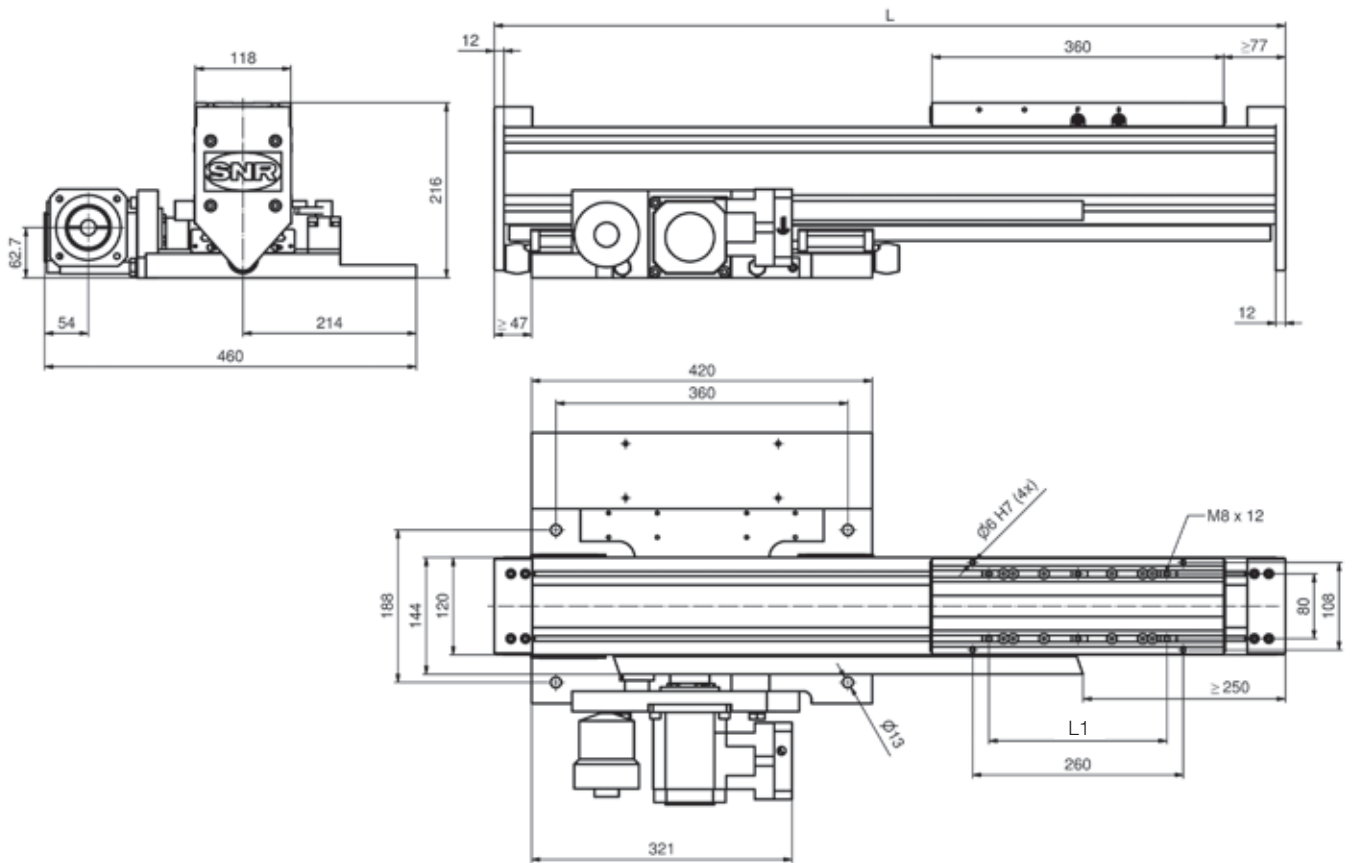


- ① Balance cylinder (optional)
- ② Toothed rack
- ③ Pinion
- ④ Base plate
- ⑤ Guiding level 1
- ⑥ Outer profile
- ⑦ Guiding level 2 (load level)
- ⑧ Inner profile
- ⑨ Load pick-up

Figure 5.35 — Structure AXS\_TV Vertical Telescopic Axis

## 5.7.4.2 Dimensions / Technical data

### AXS120TH Horizontal Telescopic Axis



Gearbox dimensions from Chapter 6.2.1, Table 6.17

**S** = Stroke

**L** =  $S/2 + 514$  mm

$L1 \leq 340$  mm (recommended 220 mm)

#### Technical data

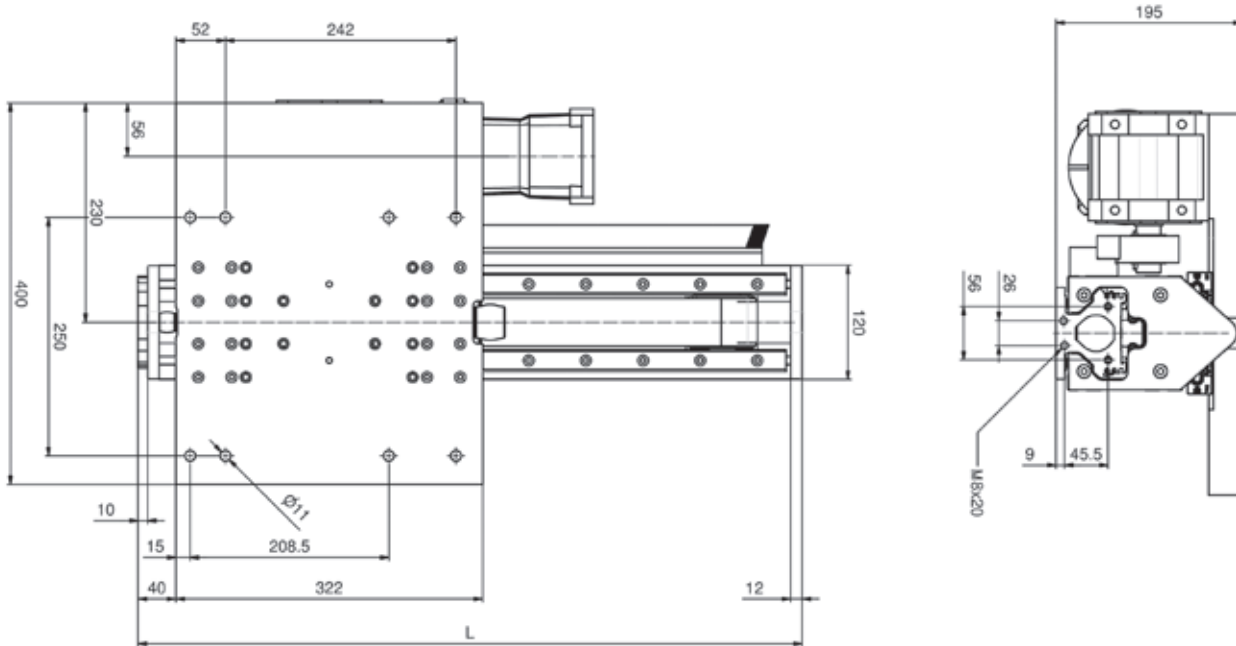
Guiding system		Guiding level 1		Guiding level 2	
		Linear guide D			
Drive element		Toothed rack, module 2		Toothed belt 50AT10	
Maximum velocity	m /min			600	
Allowable dynamic operation load	N	2 880		2 500	
Stroke per revolution	mm			280	
Idling speed torque	Nm			2,8	
Maximum drive torque at the gearbox output (emergency stop)	Nm			64	
Maximum energy absorption from the shock absorber	Nm			65	
Moment of inertia <sup>1</sup>	Kgcm <sup>2</sup>			7,4	
Geometrical moment of inertia (profile) $I_y$	cm <sup>4</sup>			661,1	
Geometrical moment of inertia (profile) $I_z$	cm <sup>4</sup>			938,6	
Maximum total length	m			3,0	
Repeatability	mm			0,05	

<sup>1</sup> - Moment of inertia without gearbox

#### Mass

Guiding system		Linear guide D	
		Guiding level 1	Guiding level 2
Basic mass (including slider mass)	kg	41,3	14,5
Mass per 100 mm stroke	kg		3,9
Slider mass	kg	5,9	

# AXS120TV Vertical Telescopic Axis



Gearbox dimensions from Chapter 6.2.1, Table 6.17

**S** = Stroke

**L** = S/2 + 397 mm

## Technical data

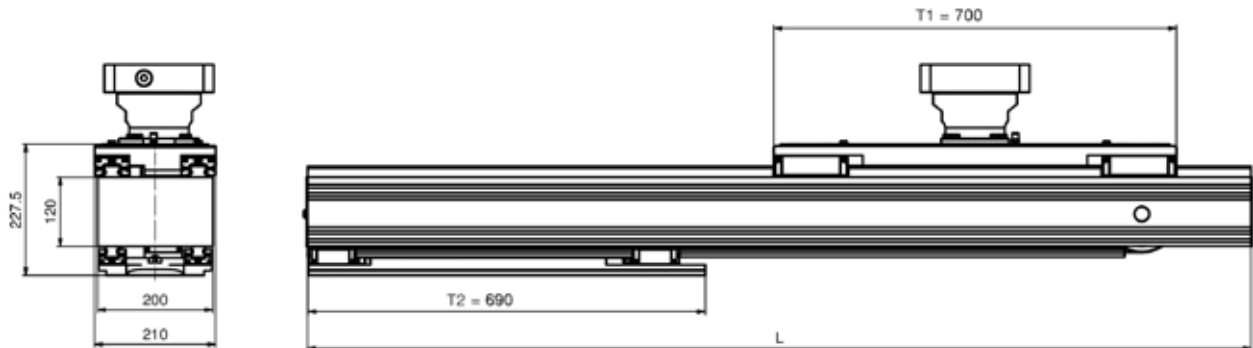
Guiding system		Linear guide D	
		Guiding level 1	Guiding level 2
Drive element		Toothed rack, module 2	Toothed belt 50AT10
Maximum velocity	m/min	300	
Maximum acceleration	m/s <sup>2</sup>	8	
Allowable dynamic operation load	N	1 500 (up to 2 000 mm stroke) / 900 (> 2 000 mm up to 4 000 mm stroke)	
Stroke per revolution	mm	400	
Idling speed torque	Nm	3,3	
Maximum drive torque at the gearbox output (emergency stop)	Nm	150	
Maximum energy absorption of the shock absorber	Nm	65 (below) / 21 (above)	
Moment of inertia <sup>1</sup>	Kgcm <sup>2</sup>	4,5	
Geometrical moment of inertia (profile) I <sub>y</sub>	cm <sup>4</sup>	661,1	661,1
Geometrical moment of inertia (profile) I <sub>z</sub>	cm <sup>4</sup>	938,6	938,6
Maximum total length	m	4,0	
Repeatability	mm	0,05	

<sup>1</sup> - Moment of inertia without gearbox

## Mass

Guiding system		Linear guide D	
		Guiding level 1	Guiding level 2
Basic value	kg	7,8	4,4
Mass per 100 mm stroke	kg	0,53	0,74
Basic mass including basic value, without gearbox	kg	37,0	

## AXS200TH Horizontal Telescopic Axis



Gearbox dimensions from Chapter 6.2.1, Table 6.17

**S** = Stroke

**L** =  $S/2 + 1500$  mm

### Technical data

Guiding system		Guiding level 1	Guiding level 2
		Linear guide D	
Drive element		Toothed rack, module 2	Toothed belt 50AT10
Maximum velocity	m /min	600	
Allowable dynamic operation load	N	5 800	2 500
Stroke per revolution	mm	360	
Idling speed torque	Nm	4,3	
Maximum drive torque at the gearbox output (emergency stop)	Nm	310	
Maximum energy absorption from the shock absorber	Nm	65	
Moment of inertia <sup>1</sup>	Kgcm <sup>2</sup>	40	
Geometrical moment of inertia (profile) $I_y$	cm <sup>4</sup>	4 480	
Geometrical moment of inertia (profile) $I_z$	cm <sup>4</sup>	6 950	
Maximum total length	m	4,0	
Repeatability	mm	0,05	

<sup>1</sup> - Moment of inertia without gearbox

### Mass

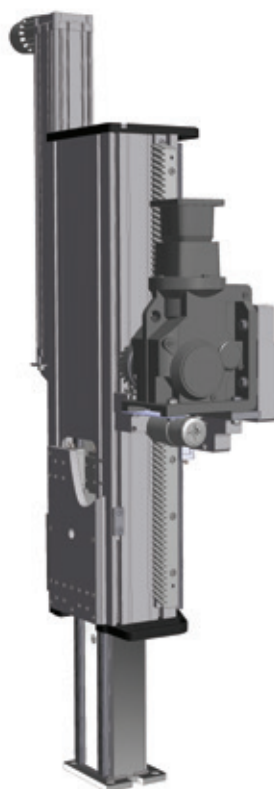
Guiding system		Linear guide D	
		Guiding level 1	Guiding level 2
Basic mass (including slider mass)	kg	$43,3 \text{ kg} + 0,177 \text{ kg/mm} \times T1 + 0,013 \text{ kg/mm} \times T2$	$35,4 \text{ kg} + 0,013 \text{ kg/mm} \times T2$
Mass per 100 mm stroke	kg	2,0 kg	
Slider mass	kg	$1,9 \text{ kg} + 0,013 \text{ kg/mm} \times T2$	

Masses without gearbox



## AXS200TV Vertical Telescopic Axis

For more informations, please contact our NTN-SNR application engineers.



Gearbox dimensions from Chapter 6.2.1, Table 6.17

**S** = Stroke

**L** = S/2 + \_\_\_ mm

### Technical data (IN PREPARATION)

Guiding system		Guiding level 1	Guiding level 2
		Linear guide D	
Drive element			
Maximum velocity	m /min		
Allowable dynamic operation load	N		
Stroke per revolution	mm		
Idling speed torque	Nm		
Maximum drive torque at the gearbox output (emergency stop)	Nm		
Maximum energy absorption from the shock absorber	Nm		
Moment of inertia <sup>1</sup>	Kgcm <sup>2</sup>		
Geometrical moment of inertia (profile) I <sub>y</sub>	cm <sup>4</sup>		
Geometrical moment of inertia (profile) I <sub>z</sub>	cm <sup>4</sup>		
Maximum total length	m		
Repeatability	mm		

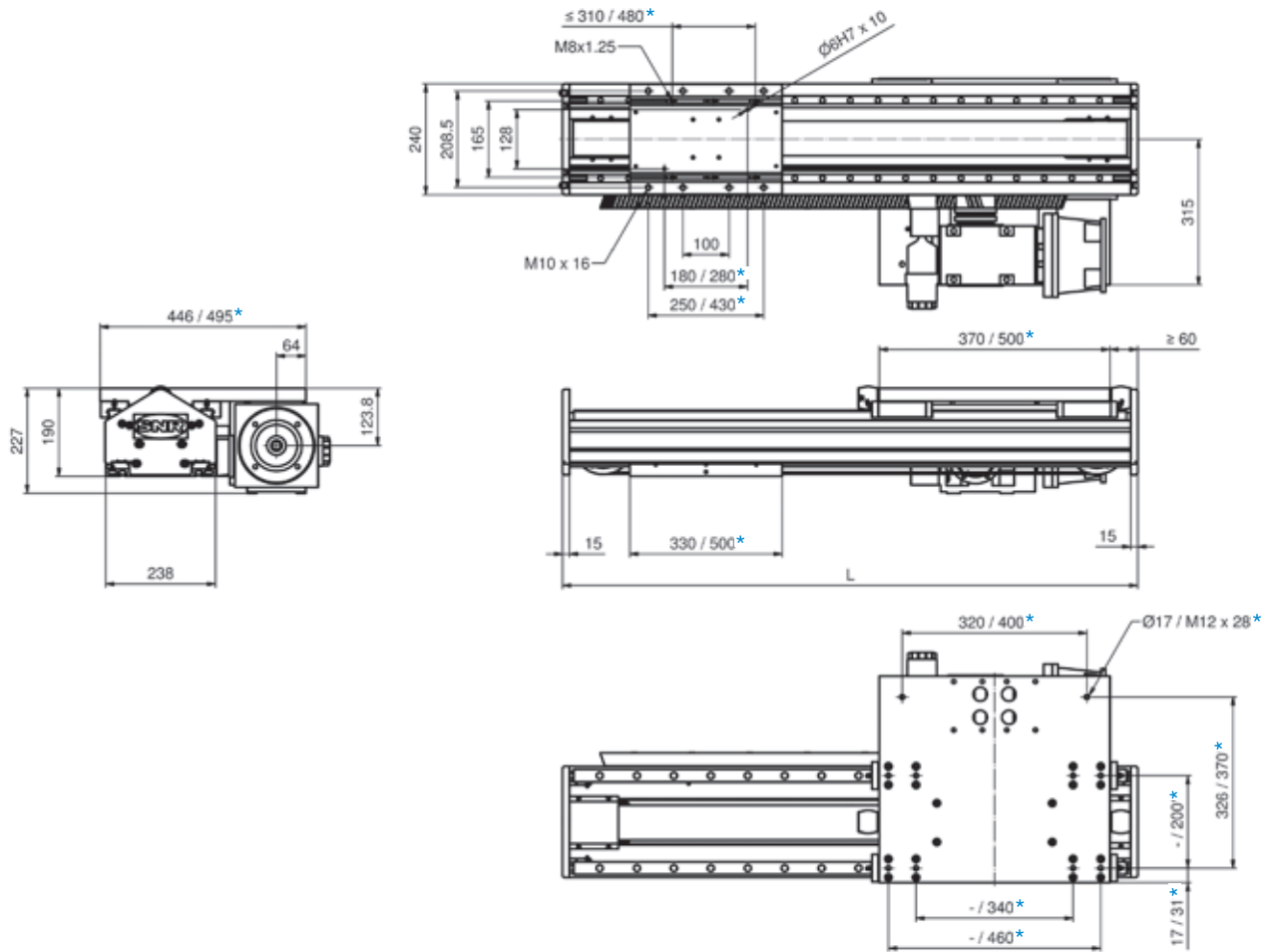
<sup>1</sup> - Moment of inertia without gearbox

### Mass

Guiding system		Linear guide D	Guiding level 1
Basic mass (including slider mass)	kg		
Mass per 100 mm stroke	kg		
Slider mass	kg		

Masses without gearbox

## AXS240TH Horizontal Telescopic Axis



\*Guiding system E  
Gearbox dimensions from Chapter 6.2.1, Table 6.17

**S** = Stroke

Guiding system D: **L** = S/2 + 490 mm  
Guiding system E: **L** = S/2 + 620 mm

### Technical data

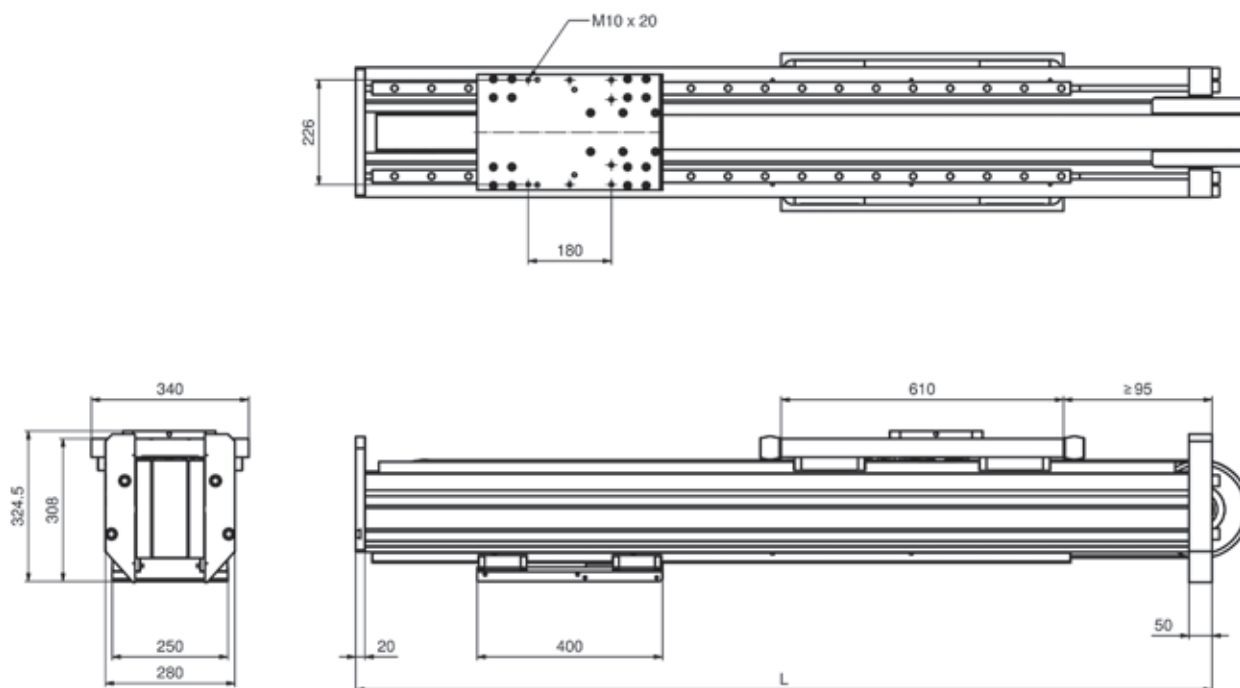
Guiding system		Guiding level 1		Guiding level 2	
		Linear guide D and E			
Drive element		Toothed rack, module 3		Toothed belt 75AT10	
Maximum velocity	m /min	600		600	
Allowable dynamic operation load	N	5 600		5 000	
Stroke per revolution	mm	500		500	
Idling speed torque	Nm	6,0		6,0	
Maximum drive torque at the gearbox output (emergency stop)	Nm	233		233	
Maximum energy absorption from the shock absorber	Nm	223		223	
Moment of inertia <sup>1</sup>	Kgcm <sup>2</sup>	51,0		51,0	
Geometrical moment of inertia (profile) $I_y$	cm <sup>4</sup>	1 439		1 439	
Geometrical moment of inertia (profile) $I_z$	cm <sup>4</sup>	9 030		9 030	
Maximum total length	m	6,0		6,0	
Repeatability	mm	0,05		0,05	

<sup>1</sup> - Moment of inertia without gearbox

### Mass

Guiding system		Linear guide D		Linear guide E	
		Guiding level 1	Guiding level 2	Guiding level 1	Guiding level 2
Basic mass (including slider mass)	kg	85,4	39,1	91,4	43,7
Mass per 100 mm stroke	kg	2,5	2,5	2,5	2,5
Slider mass	kg	6,6	6,6	9,7	9,7

## AXS280TH Horizontal Telescopic Axis



Gearbox dimensions from Chapter 6.2.1, Table 6.17

**S** = Stroke

**L** =  $S/2 + 770$  mm

### Technical data

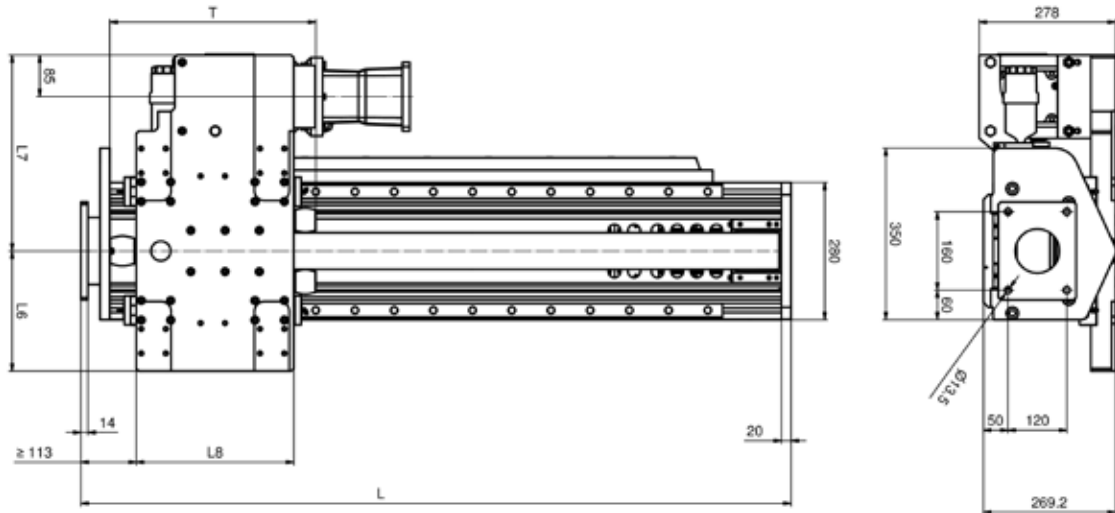
Guiding system		Guiding level 1	Guiding level 2
		Linear guide D	
Drive element		Toothed rack, module 3	Toothed belt 75AT10
Maximum velocity	m /min		600
Allowable dynamic operation load	N	15 000	5 000
Stroke per revolution	mm		700
Idling speed torque	Nm		11,0
Maximum drive torque at the gearbox output (emergency stop)	Nm		835
Maximum energy absorption from the shock absorber	Nm		446
Moment of inertia <sup>1</sup>	Kgcm <sup>2</sup>		137
Geometrical moment of inertia (profile) $I_y$	cm <sup>4</sup>		11 690
Geometrical moment of inertia (profile) $I_z$	cm <sup>4</sup>		21 340
Maximum total length	m		6,0
Repeatability	mm		0,05

<sup>1</sup> - Moment of inertia without gearbox

### Mass

Guiding system		Linear guide D	
		Guiding level 1	Guiding level 2
Basic mass (including slider mass)	kg	133,8	102,5
Mass per 100 mm stroke	kg		3,3
Slider mass	kg	12,0	

## AXS280TV Vertical Telescopic Axis



Gearbox dimensions from Chapter 6.2.1, Table 6.17

**S** = Stroke  
**L** =  $S/2 + T + 80$  mm  
 Dimensions L6, L7 and L8 from Chapter 7.3, Table 7.3

### Technical data

Guiding system		D	E	G	H
		Top table for direct combination with			
		AXS280Y	AXS460MP	AXS500MP	AXS280MP
Table length T	mm	420	560	692	420

Guiding system		Guiding level 1		Guiding level 2	
		Linear guide D, E, G and H			
Drive element		Toothed rack, module 4		Toothed belt 75AT10	
Maximum velocity	m/min	360			
Maximum acceleration	m/s <sup>2</sup>	8			
Allowable dynamic operation load	N	7 650 - 10 000 <sup>3</sup>		5 000	
Stroke per revolution	mm	560			
Idling speed torque	Nm	6,0			
Maximum drive torque at the gearbox output (emergency stop)	Nm	340 - 1 100 <sup>3</sup>			
Maximum energy absorption of the shock absorber	Nm	446			
Moment of inertia <sup>1</sup>	Kgcm <sup>2</sup>	55			
Geometrical moment of inertia (profile) $I_y$	cm <sup>4</sup>	7 958 <sup>2</sup>			
Geometrical moment of inertia (profile) $I_z$	cm <sup>4</sup>	14 654 <sup>2</sup>			
Maximum stroke length	m	3,0			
Repeatability	mm	0,05			

<sup>1</sup> - Moment of inertia without gearbox

<sup>2</sup> - Guiding level 1

<sup>3</sup> - Depending on gearbox version - use our calculation service

### Mass

Guiding system		Linear guide D		Linear guide E		Linear guide G		Linear guide H	
		Guiding level 1	Guiding level 2	Guiding level 1	Guiding level 2	Guiding level 1	Guiding level 2	Guiding level 1	Guiding level 2
Basic value	kg	33,0	15,8	36,1	17,1	37,3	17,5	33,0	15,8
Mass per 100 mm stroke	kg	2,3	0,91	2,3	0,91	2,3	0,91	2,3	0,91
Basic mass including basic value, without gear box	kg	90,4		113,8		110,0		89,6	

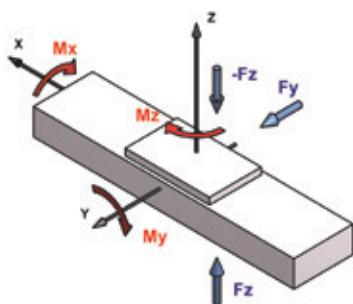
### 5.7.4.3 Maximum static load capacity

Type	Guiding system	Guiding level	Load [N]		Load moment [Nm]		
			$F_y$	$F_z$	$M_x$	$M_y$	$M_z$
AXS120TH	D	1	42 500	42 500	1700	7 000	7 000
		2	28 500	28 500	370	2 600	2 600
AXS120TV	D	1	42 500	42 500	1700	7 000	7 000
		2	28 500	28 500	370	2 600	2 600
AXS200TH	D	1	70 000	70 000	5 250	20 000	20 000
		2	33 000	33 000	2 500	9 300	9 300
AXS200TV	D			in preparation			
AXS240TH	D	1	57 000	57 000	5 700	8 300	8 300
		2	42 500	42 500	3 550	3 950	3 950
	E	1	70 000	70 000	7 000	14 000	14 000
		2	42 500	42 500	3 550	7 500	7 500
AXS280TH	D	1	100 000	100 000	12 000	20 000	20 000
2		57 000	57 000	5 400	8 300	8 300	
AXS280TV	D and H	1	70 000	70 000	8 500	8 000	8 000
		2	42 000	42 000	2 100	6 200	6 200
	E	1	70 000	70 000	8 500	13 000	13 000
		2	42 000	42 000	2 100	9 200	9 200
	G	1	70 000	70 000	8 500	14 500	14 500
		2	42 000	42 000	2 100	10 300	10 300

### 5.7.3.4 Dynamic load capacity

The dynamic load capacities of the guiding systems are based on a nominal life time of 50 000 km.

Type	Guiding system	Guiding level	Load [N]		Load moment [Nm]		
			$F_y$	$F_z$	$M_x$	$M_y$	$M_z$
AXS120TH	D	1	16 000	16 000	650	2 650	2 650
		2	12 000	12 000	155	1 100	1 100
AXS120TV	D	1	16 000	16 000	650	2 650	2 650
		2	12 000	12 000	155	1 100	1 100
AXS200TH	D	1	27 000	27 000	2 000	7 700	7 700
		2	12 500	12 500	950	2 500	3 500
AXS200TV	D			in preparation			
AXS240TH	D	1	24 000	24 000	2 400	3 500	3 500
		2	16 000	16 000	1 350	1 500	1 500
	E	1	27 000	27 000	2 700	5 300	5 300
		2	16 000	16 000	1 350	2 850	2 850
AXS280TH	D	1	36 500	36 500	4 400	7 250	7 250
2		24 000	24 000	2 300	3 500	3 500	
AXS280TV	D and H	1	27 000	27 000	3 200	3 000	3 000
		2	16 000	16 000	800	2 300	2 300
	E	1	27 000	27 000	3 200	5 000	5 000
		2	16 000	16 000	800	3 500	3 500
	G	1	27 000	27 000	3 200	5 500	5 500
		2	16 000	16 000	800	3 900	3 900



## 5.7.5 AXS\_Y Gantry Axis with lateral toothed belt drive

### 5.7.5.1 Structure

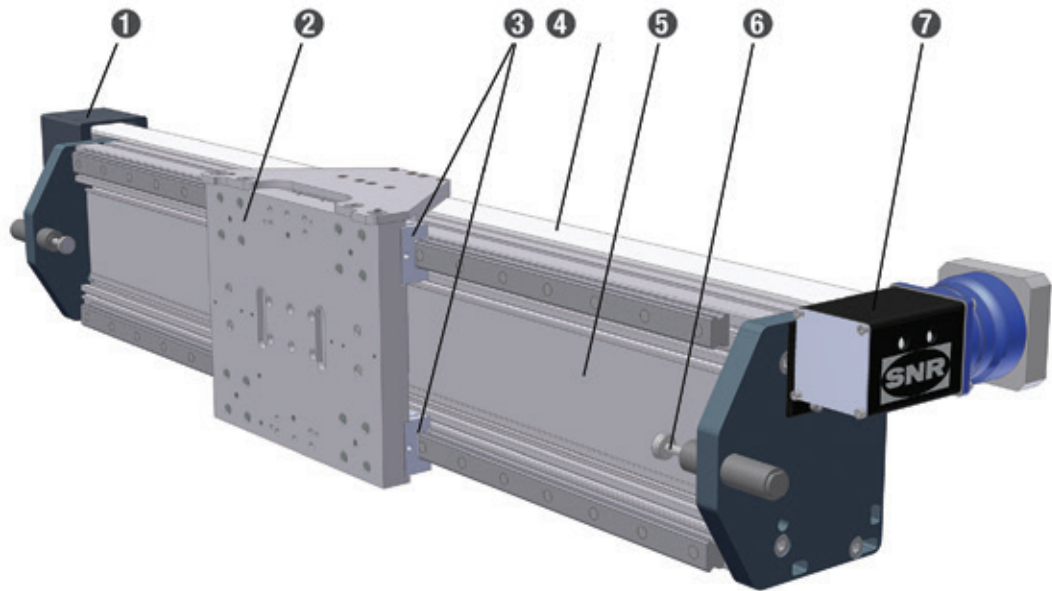
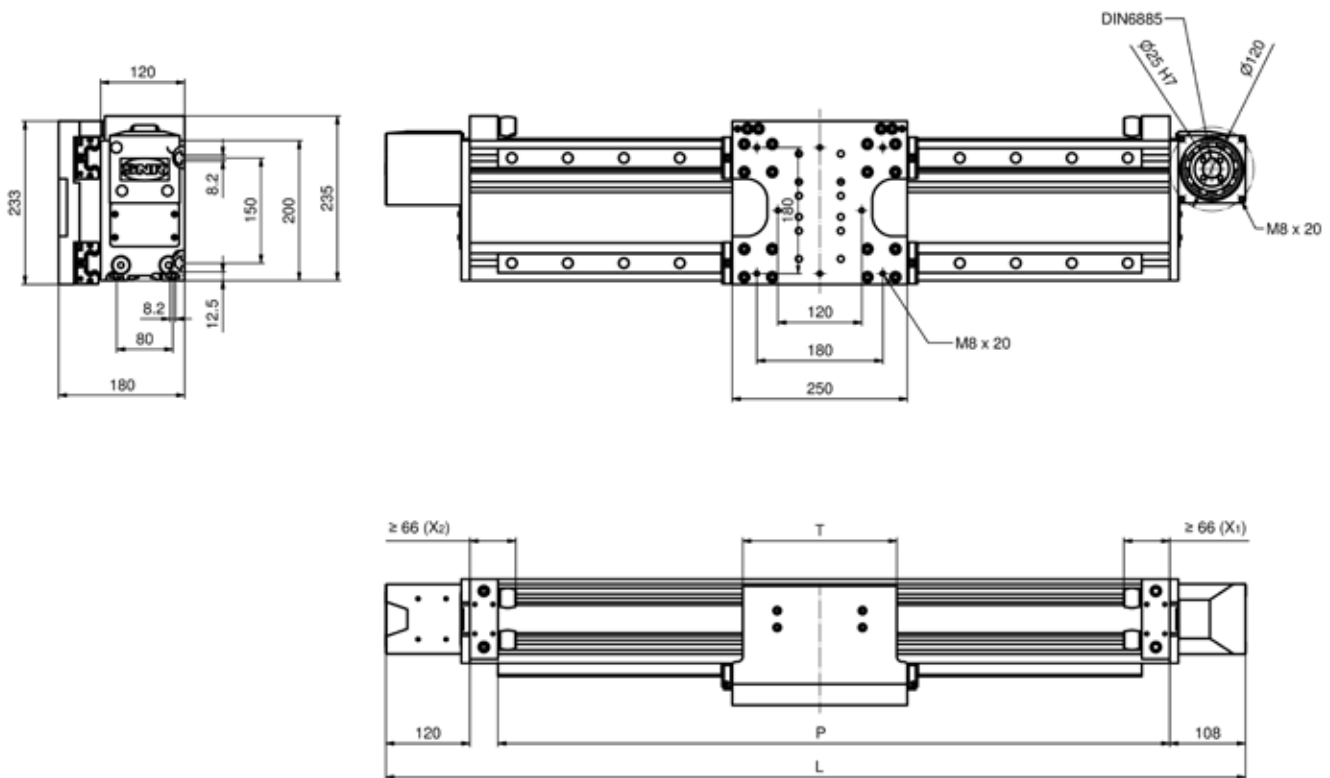


Figure 5.36 — Structure AXS\_Y

- ① Deflection unit
- ② Slider unit
- ③ Guiding system
- ④ Toothed belt
- ⑤ Profile
- ⑥ Shock absorber
- ⑦ Drive unit

## 5.7.5.2 Dimensions / Technical data

### AXS200Y



Gearbox dimensions from Chapter 6.2.1, Table 6.17

$$\mathbf{S} = \text{Stroke} \quad \mathbf{L} = \mathbf{S} + \mathbf{T} + \mathbf{X}_1 + \mathbf{X}_2 + 228 \text{ mm} \quad \mathbf{P} = \text{Profile length}$$

$X_1$  and  $X_2$  must be specified (Shock absorber fixation optional in the end plate ( $X_1, X_2 = 66 \text{ mm}$ ) or in a traverse ( $X_1, X_2 \geq 66 \text{ mm}$ ))

#### Technical data

Guiding system		Linear guide D	Linear guide R
Table length T	mm	220	330 without toptable for direct combination with AXDL160A
Drive element		Toothed belt 40 STD8	
Maximum velocity	m /min	300	
Allowable dynamic operation load	N	2 200	
Stroke per revolution	mm	264 <sup>+0,5</sup>	
Idling speed torque	Nm	7,0	
Maximum drive torque	Nm	92,6	
Maximum energy absorption of the shock absorber	Nm	92	
Idling speed torque <sup>1</sup>	Kgcm <sup>2</sup>	24,3	
Geometrical moment of inertia (profile) $I_y$	cm <sup>4</sup>	5 280	
Geometrical moment of inertia (profile) $I_z$	cm <sup>4</sup>	2 220	
Maximum total length <sup>2</sup>	m	8,0	
Repeatability	mm	0,05	

<sup>1</sup> - Moment of inertia without gearbox

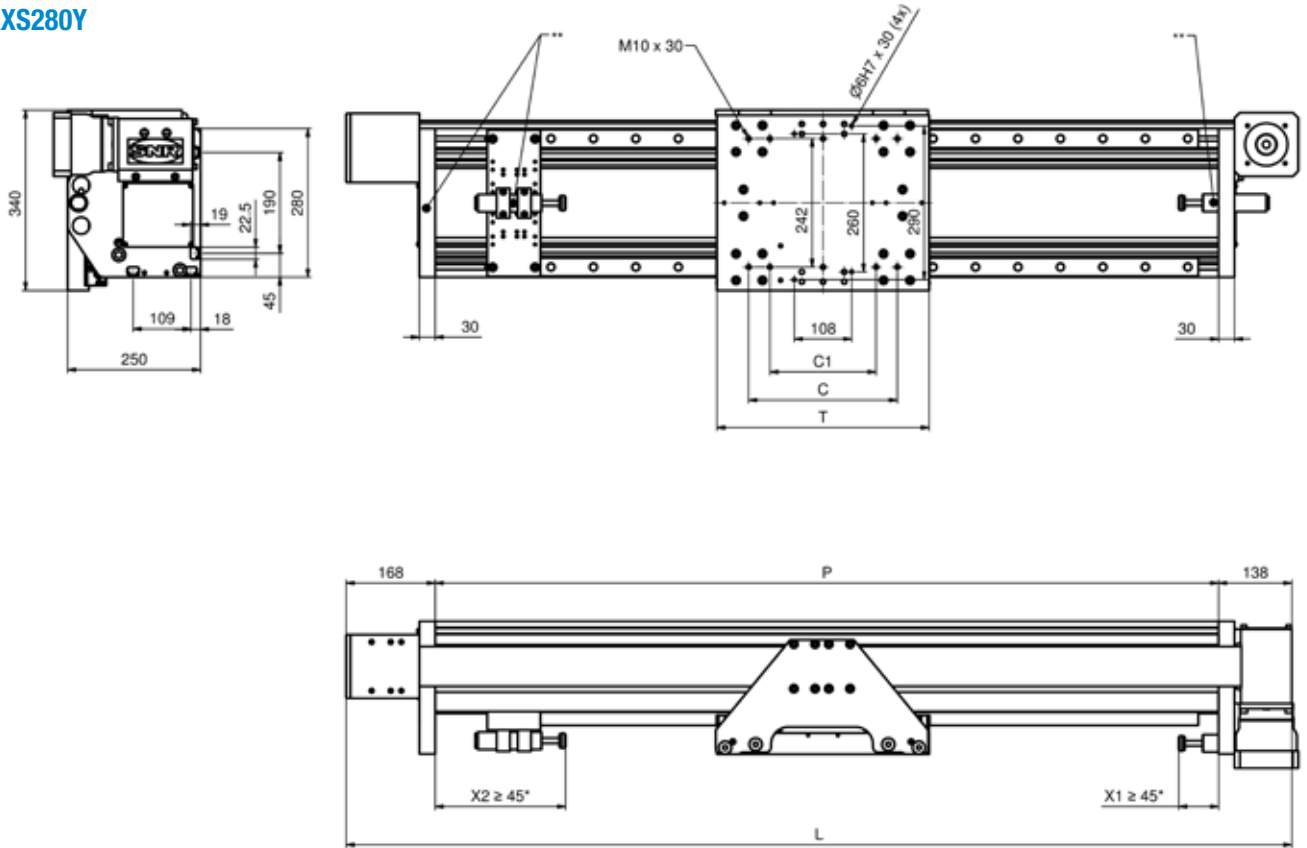
<sup>2</sup> - one-piece, larger lengths consisting of segments on request possible

#### Mass

Guiding system		Linear guide D	Linear guide R
Basic mass (including slider mass)	kg	21,7	16,4
Mass per 100 mm stroke	kg	3,0	3,0
if $X_1 / X_2 > 66 \text{ mm}$ mass for profile extension	kg	$((66 + X_2 - 132)/100) \cdot 3,0$	
Slider mass	kg	10,2	1,6

Masses without gearbox

# AXS280Y



Gearbox dimensions from Chapter 6.2.1, Table 6.17

$E = m/2 * v^2$        $m =$  moved mass       $v =$  velocity       $P =$  Profile length

$S =$  Stroke       $L = S + T + X_1 + X_2 + 306$  mm

\*  $X_1$  and  $X_2$  must be specified ( $X_1$  always on the drive side)

\*\*Shock absorber fixation in the end plate ( $X_1 / X_2 = 45...135$  mm) or in a traverse ( $X_1 / X_2 > 135$  mm)

## Technical data

Guiding system		Linear guide D	Linear guide E	Linear guide R	Linear guide S	Linear guide T	Linear guide U
Table length T	mm	400	600	400	400	750	800
				without toptable for direct combination with			
				AXS200ME, AXS120TV	AXS230MB	AXS280TV	AXDL240A
Hole separation C	mm	280	280	-	-	-	-
Hole separation C1	mm	-	150	-	-	-	-
Drive element		Toothed belt 40STD8					
Maximum velocity	m /min	300					
Allowable dynamic operation load	N	5 000					
Stroke per revolution	mm	264 <sup>+0,5</sup>					
Idling speed torque	Nm	7,0					
Maximum drive torque	Nm	210					
Maximum energy absorption of the shock absorber E	Nm	1,8...3,5 m/s: 0,8...2,2 m/s:	A: 500Nm B: 650Nm	C: 180Nm D: 180Nm	F: 1 100Nm	I: 1 400	J: 2 600Nm
Idling speed torque <sup>1</sup>	Kgcm <sup>2</sup>	24,3					
Geometrical moment of inertia (profile) $I_y$	cm <sup>4</sup>	7 958					
Geometrical moment of inertia (profile) $I_z$	cm <sup>4</sup>	14 650					
Maximum total length <sup>2</sup>	m	10,0					
Repeatability	mm	0,05					

<sup>1</sup> - Moment of inertia without gearbox

<sup>2</sup> - one-piece, larger lengths consisting of segments on request possible

## Mass

Guiding system		Linear guide D	Linear guide E	Linear guide R	Linear guide S	Linear guide T	Linear guide U
Basic mass (including slider mass)	kg	55,3	70,5	44,7	44,7	66,6	68,9
Mass per 100 mm stroke	kg	4,6	4,6	4,6	4,6	4,6	4,6
if $X_1 / X_2 > 45$ mm							
Mass for profile extensio	kg	$(X_1 + X_2 - 90) / 100 * 4,6$					
Slider mass		16,3	22,3	5,7	5,7	5,7	5,7



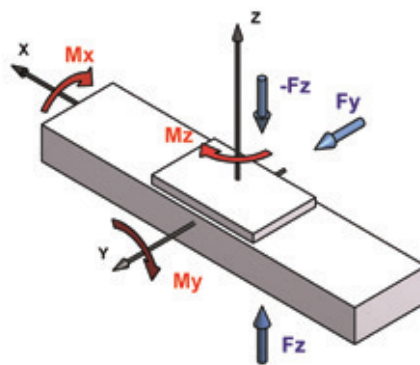
### 5.7.5.3 Maximum static load capacity

Type	Guiding system	Load [N]		Load moment [Nm]		
		$F_y$	$F_z$	$M_x$	$M_y$	$M_z$
AXS200Y	D	57 000	57 000	4 300	5 000	5 000
	R	57 000	57 000	4 300	6 300	6 300
AXS280Y	D	82 000	82 000	9 900	11 000	11 000
	E	82 000	82 000	9 900	19 000	19 000
	R	82 000	82 000	9 900	11 000	11 000
	S	82 000	82 000	9 900	12 500	12 500
	T	82 000	82 000	9 900	15 000	15 000
	U	82 000	82 000	9 900	12 500	12 500

### 5.7.5.4 Dynamic load capacity

The dynamic load capacities of the guiding systems are based on a nominal life time of 50 000 km.

Type	Guiding system	Load [N]		Load moment [Nm]		
		$F_y$	$F_z$	$M_x$	$M_y$	$M_z$
AXS200Y	D	19 000	19 000	1 450	1 700	1 700
	R	19 000	19 000	1 450	2 100	2 100
AXS280Y	D	26 000	26 000	3 200	3 700	3 700
	E	26 000	26 000	3 200	6 250	6 250
	R	26 000	26 000	3 200	3 700	3 700
	S	26 000	26 000	3 200	4 000	4 000
		26 000	26 000	3 200	4 800	4 800
	U	26 000	26 000	3 200	4 000	4 000



## 5.7.6 AXS\_Z Gantry Axis with toothed belt drive

### 5.7.6.1 Structure

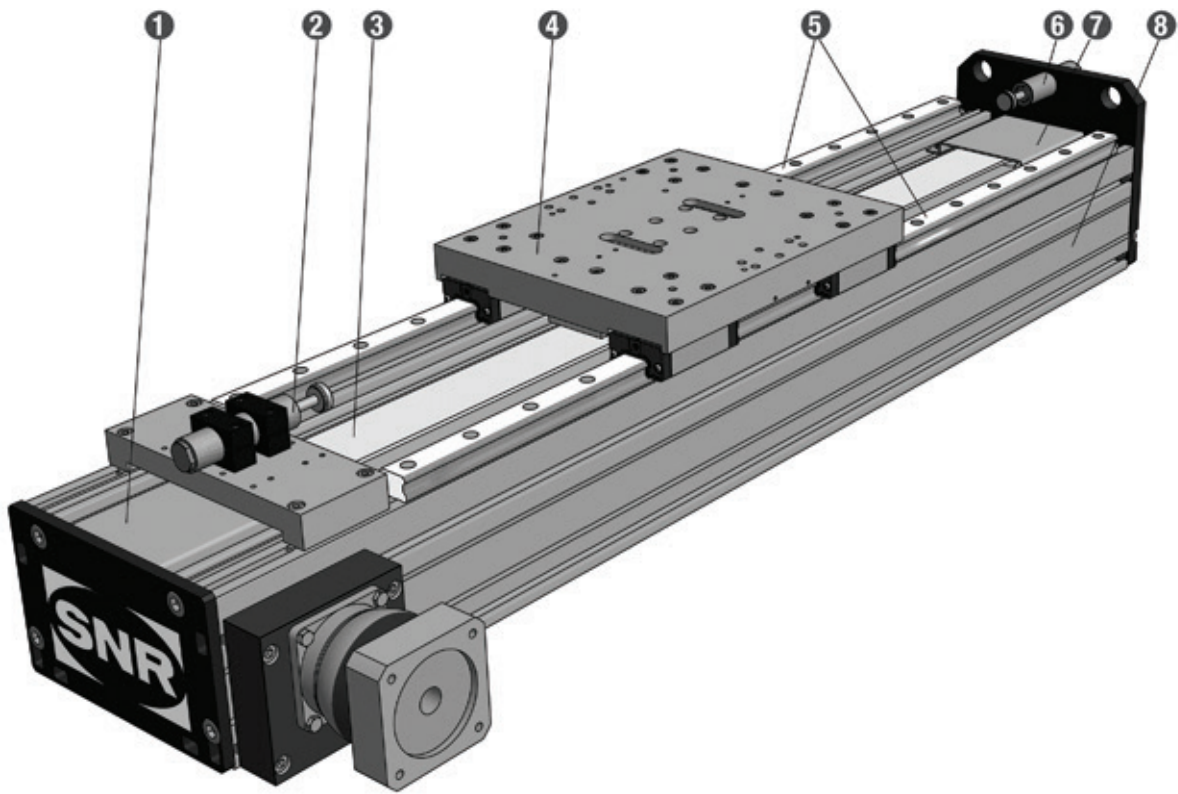
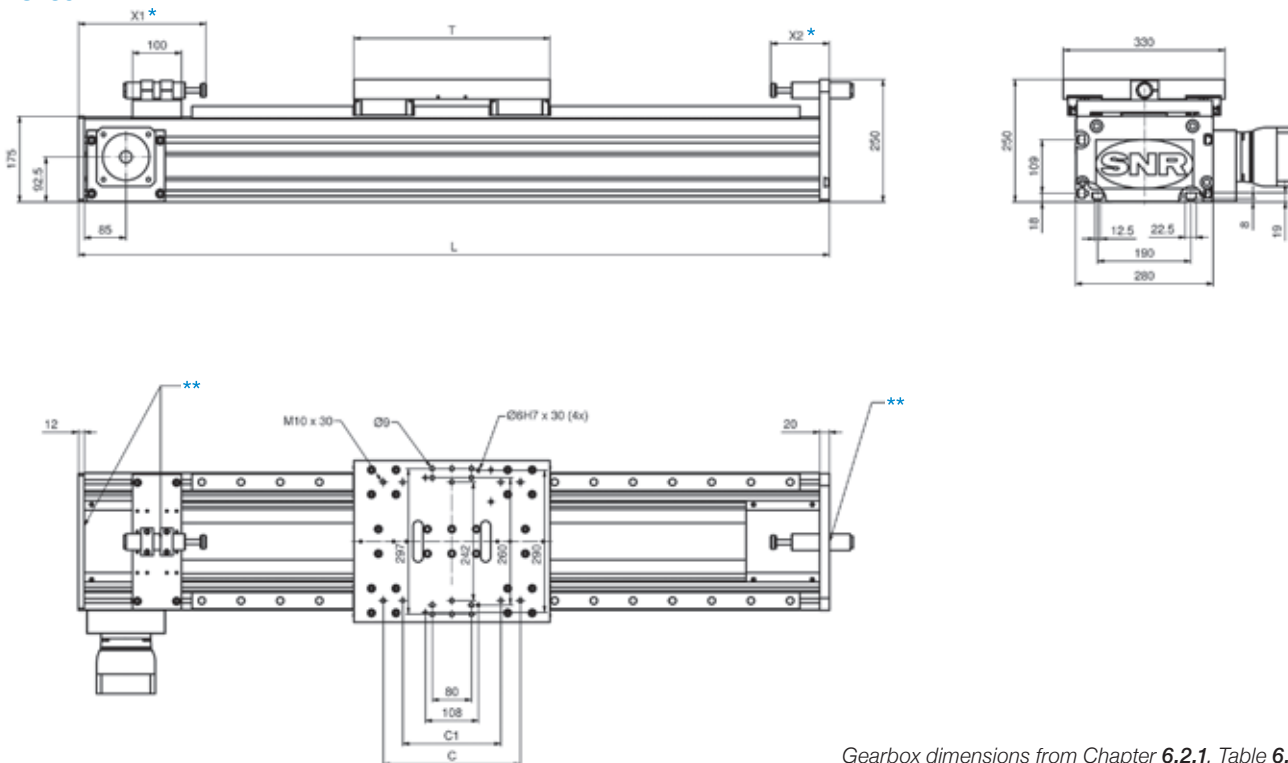


Figure 5.37 — Structure AXS\_Z

- ① Drive unit
- ② Shock absorber assembled in a traverse
- ③ Toothed belt
- ④ Slider unit
- ⑤ Guiding system
- ⑥ Shock absorber assembled in the end plate
- ⑦ Deflection unit
- ⑧ Profile

## 5.7.6.2 Dimensions / Technical data

### AXS280Z



Gearbox dimensions from Chapter 6.2.1, Table 6.17

$$S = \text{Stroke} \quad L = S + T + X_1 + X_2$$

$$E = m/2 * v^2 \quad m = \text{moved mass} \quad v = \text{velocity}$$

\* X1 and X2 must be specified

\*\* Shock absorber fixation in the end plate (X1, X2 = 80mm...165mm) or in a traverse (X1, X2 ≥ 165 mm)

#### Technical data

Guiding system		Linear guide D		Linear guide E		
Table length T	mm	400		600		
Hole separation C	mm	280		280		
Hole separation C1	mm	-		150		
Drive element		Toothed belt 75AT10				
Maximum velocity	m /min	300				
Allowable dynamic operation load	N	4 000				
Stroke per revolution	mm	480 <sup>+0,8</sup>				
Idling speed torque	Nm	9,0				
Maximum drive torque	Nm	306				
Maximum energy absorption of the shock absorber E	Nm	1,8...3,5 m/s: 0,8...2,2 m/s:	A: 500Nm B: 650Nm	C: 180Nm D: 180Nm	F: 1 100Nm	I: 1 400 J: 2 600Nm
Idling speed torque <sup>1</sup>	Kgcm <sup>2</sup>	227,6				
Geometrical moment of inertia (profile) I <sub>y</sub>	cm <sup>4</sup>	14 645				
Geometrical moment of inertia (profile) I <sub>z</sub>	cm <sup>4</sup>	7 958				
Maximum total length <sup>2</sup>	m	10,0				
Repeatability	mm	0,03				

<sup>1</sup> - Moment of inertia without gearbox

<sup>2</sup> - one-piece, larger lengths consisting of segments on request possible

#### Mass

Guiding system		Linear guide D		Linear guide E	
Basic mass (including slider mass)	kg	78,0		96,4	
Mass per 100 mm stroke	kg	4,6		4,6	
if X <sub>1</sub> > 165 mm	Mass for profile extension	((X1-165)/100)*4,6		((X1-165)/100)*4,6	
if X <sub>2</sub> > 165 mm	Mass for profile extension	((X2-165)/100)*4,6		((X2-165)/100)*4,6	
Slider mass		19,0		28,2	

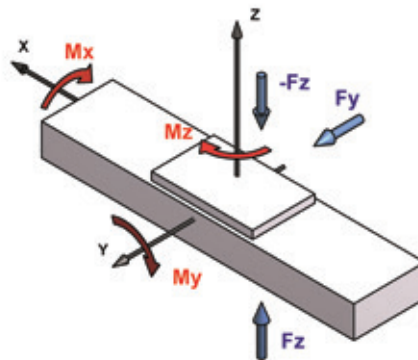
### 5.7.6.3 Maximum static load capacity

Type	Guiding system	Load [N]		Load moment [Nm]		
		$F_y$	$F_z$	$M_x$	$M_y$	$M_z$
AXS280Z	D	82 000	82 000	9 900	11 000	11 000
	E	82 000	82 000	9 900	19 000	19 000

### 5.7.6.4 Dynamic load capacity

The dynamic load capacities of the guiding systems are based on a nominal life time of 50 000 km.

Type	Guiding system	Load [N]		Load moment [Nm]		
		$F_y$	$F_z$	$M_x$	$M_y$	$M_z$
AXS280Z	D	26 000	26 000	3 200	3 700	3 700
	E	26 000	26 000	3 200	6 250	6 250



## 5.7.7 AXS\_M Beam Axis for parallel use with rack and pinion drive

### 5.7.7.1 Structure

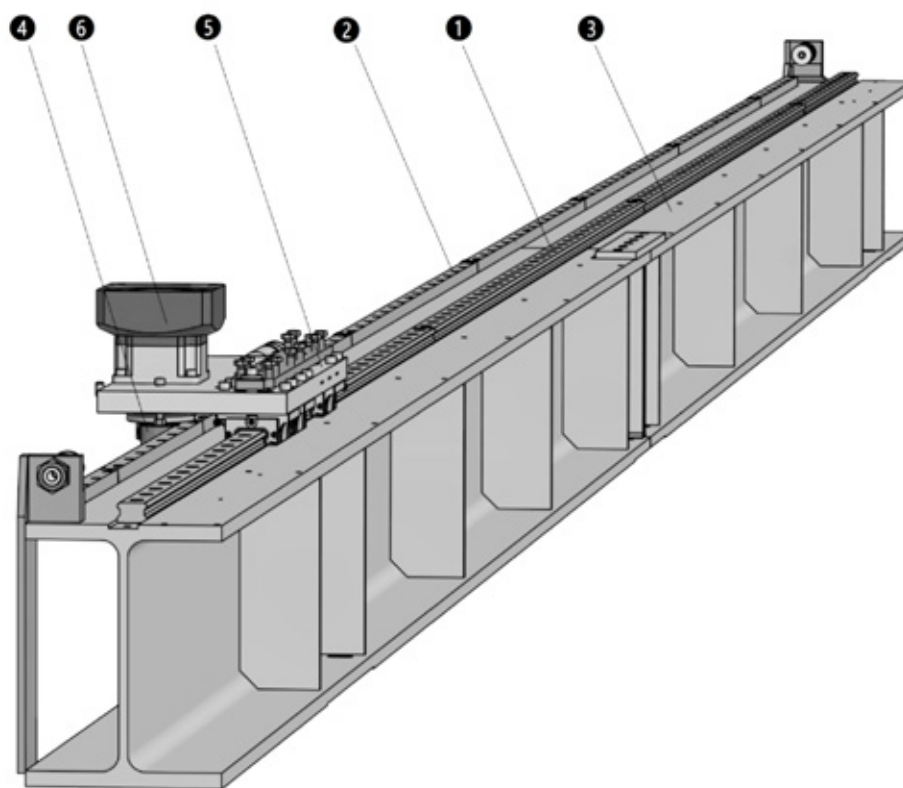
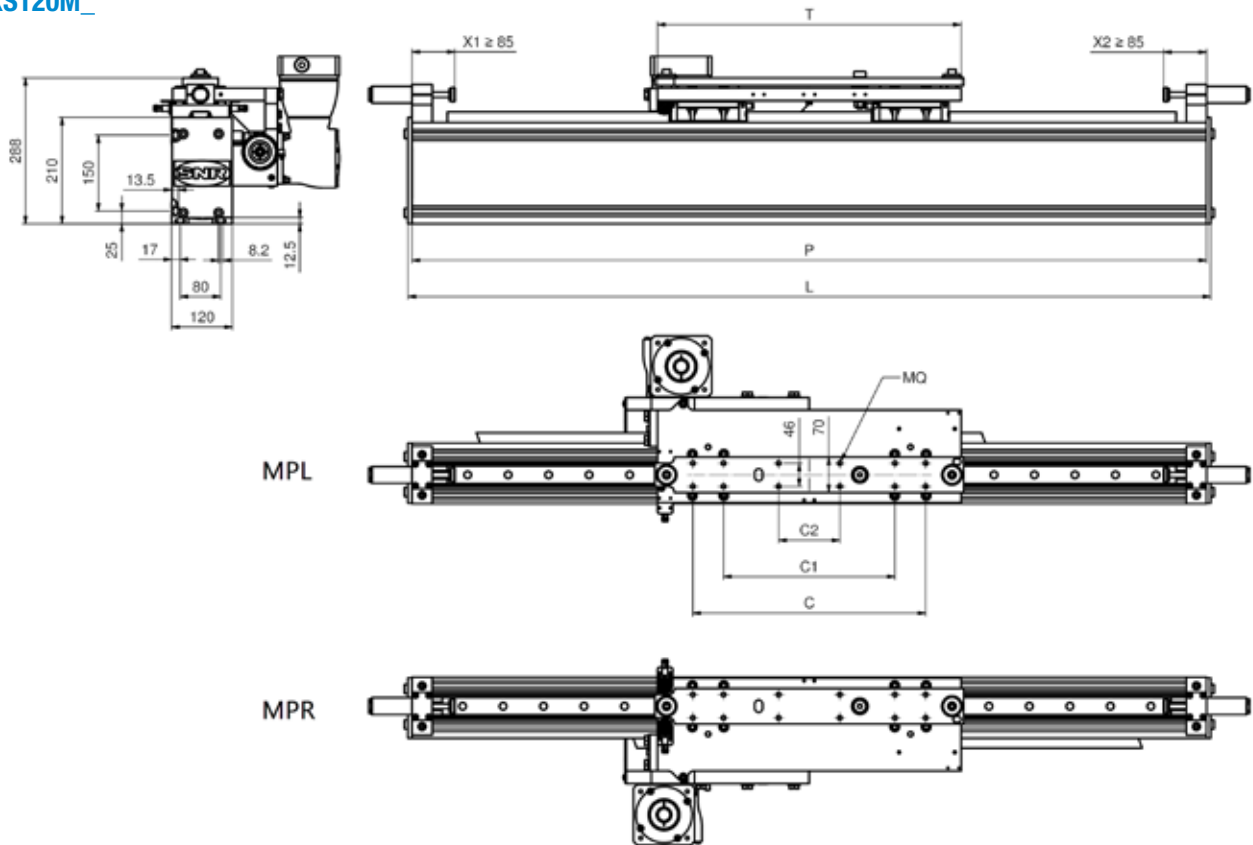


Figure 5.38 — Structure AXS\_M Beam Axis for parallel use with rack and pinion drive

- ① Guiding system
- ② Toothed rack
- ③ Profile
- ④ Pinion
- ⑤ Slider unit with or without compensation system
- ⑥ Gearbox

## 5.7.7.2 Dimensions / Technical data

### AXS120M\_



Gearbox dimensions from Chapter 6.2.1, Table 6.17

**S** = Stroke

**L** =  $S + T + 8 \text{ mm} + X_1 + X_2 \text{ mm}$

**E** =  $m/2 * v^2$

#### Technical data

Guiding system		Linear guide B	Linear guide C
Table length T	mm	600	800
Hole separation C	mm	460	680
Hole separation C1	mm	339	520
Hole separation C2	mm	121	120
Thread MQ		M10	M12
Drive element		Toothed rack, module 2	
Maximum velocity	m /min	300	
Allowable dynamic operation load	N	3700	
Stroke per revolution	mm	200	
Idling speed torque	Nm	1,5	2,2
Maximum drive torque at the gearbox output	Nm	190	
Maximum energy absorption of the shock absorber E	Nm	1,8...3,5 m/s: 0,8...2,2 m/s:	A: 500Nm C: 750 Nm B: 180 Nm D: 180 Nm
Moment of inertia <sup>1</sup>	Kgcm <sup>2</sup>	22,7	
Geometrical moment of inertia (profile) I <sub>y</sub>	cm <sup>4</sup>	5 220	
Geometrical moment of inertia (profile) I <sub>z</sub>	cm <sup>4</sup>	2 050	
Maximum total length <sup>2</sup>	m	8,0	
Repeatability	mm	0,05	

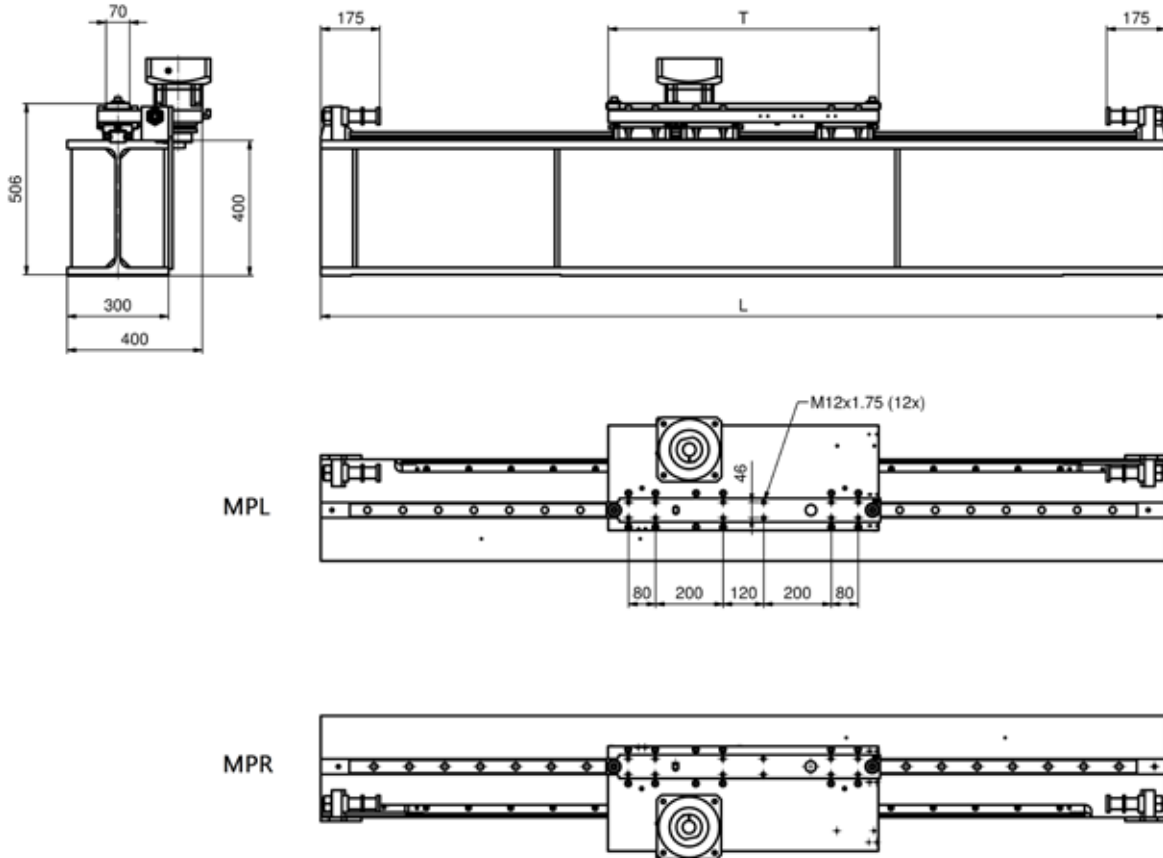
<sup>1</sup> - Moment of inertia without gearbox

<sup>2</sup> - one-piece, larger lengths consisting of segments on request possible

#### Mass

Guiding system		Linear guide B	Linear guide C
Basic mass (including slider mass)	kg	46,7	58,3
Mass per 100 mm stroke	kg	3,1	
If X1 / X2 > 85 mm	Mass for profile extension	$(X_1 + X_2 - 170) / 100 * 1,85$	
Slider mass	kg	24,0	30,9

## AXS300MP



Gearbox dimensions from Chapter 6.2.1, Table 6.20

**S** = Stroke

**L** = S + T + 350 mm

### Technical data

Guiding system		Linear guide B
Table length T	mm	800
Drive element		Toothed rack, module 3
Maximum velocity	m /min	300
Allowable dynamic operation load	N	6 000
Stroke per revolution	mm	250
Idling speed torque	Nm	3,6
Maximum drive torque at the gearbox output (emergency stop)	Nm	470
Maximum energy absorption of the shock absorber	Nm	4 510 (irreversible)
Moment of inertia <sup>1</sup>	Kgcm <sup>2</sup>	23,6
Geometrical moment of inertia (profile) I <sub>y</sub>	cm <sup>4</sup>	57 680
Geometrical moment of inertia (profile) I <sub>z</sub>	cm <sup>4</sup>	10 820
Maximum total length <sup>2</sup>	m	10
Repeatability	mm	0,05

<sup>1</sup> - Moment of inertia without gearbox

<sup>2</sup> - one-piece, larger lengths consisting of segments on request possible

### Mass

Guiding system		Linear guide B
Basic mass (including slider mass)	kg	240
Mass per 100 mm stroke	kg	17
Slider mass	kg	47

Masses without gearbox

### 5.7.7.3 Maximum static load capacity

Type	Guiding system	Load [N]		Load moment [Nm]		
		$F_y$	$F_z$	$M_x$	$M_y$	$M_z$
AXS120M_	B	12 700 <sup>1</sup>	12 700	not applicable	10 200	not applicable
	C	19 200 <sup>1</sup>	19 200	not applicable	15 000	not applicable
AXS300MP	B	48 000 <sup>1</sup>	100 000	not applicable	20 000	not applicable

<sup>1</sup> For a complete system consisting of two Linear Axis

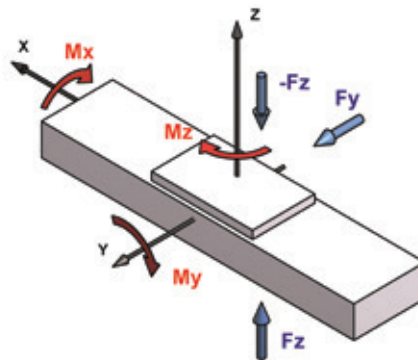
### 5.7.7.4 Dynamic load capacity

The dynamic load capacities of the guiding systems are based on a nominal life time of 50 000 km.

Type	Guiding system	Load [N]		Load moment [Nm]		
		$F_y$	$F_z$	$M_x$	$M_y$	$M_z$
AXS120M_	B	9 270 <sup>1</sup>	18 500	290 <sup>2</sup>	3 700	not applicable
	C	13 900 <sup>1</sup>	27 700	440 <sup>2</sup>	5 500	not applicable
AXS300MP	B	38 000 <sup>1</sup>	38 000	800 <sup>2</sup>	7 600	not applicable

<sup>1</sup> For a complete system consisting of two Linear Axis

<sup>2</sup> Applies only to the moment resulting from the mass of the drive





## 5.8 AXLM Linear Motor Axis

### 5.8.1 AXLM\_EA / AXLM\_EW

#### 5.8.1.1 Structure

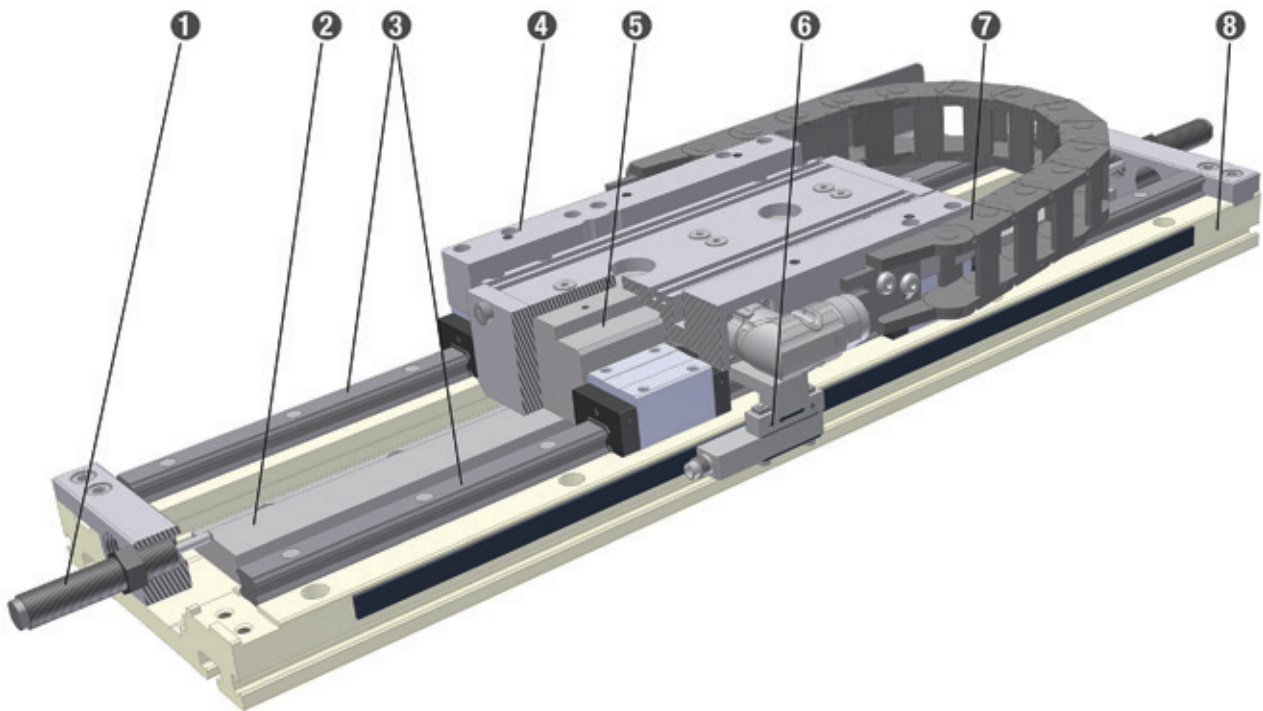
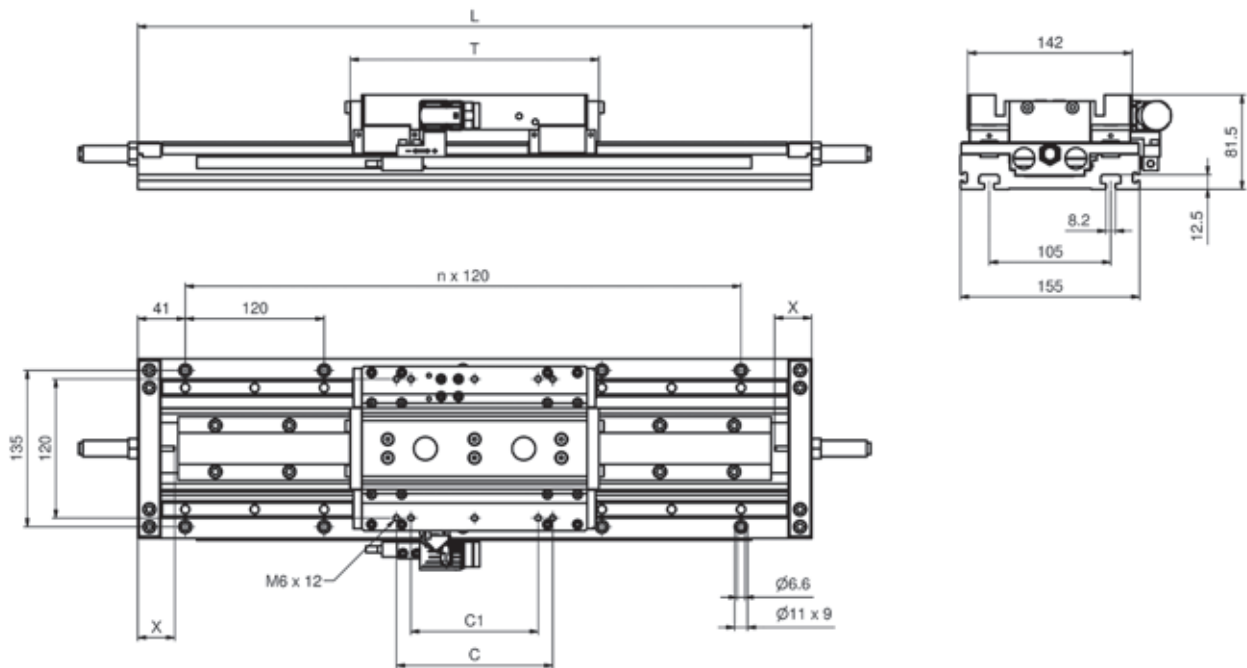


Figure 5.39 — Structure AXLM\_EA / AXLM\_EW

- ❶ Shock absorber
- ❷ Secondary component
- ❸ Guiding system
- ❹ Slider unit
- ❺ Primary component
- ❻ Measuring system
- ❼ Energy chain
- ❽ Base profile

### 5.8.1.2 Dimensions / Technical data

#### AXLM155EA / AXLM155EW



**T** = Table length

**L** =  $S + T + 2 \times X (+ 2 \times B)^*$

\* For configuration version F (below)

**S** = Stroke

Maximum length (one-piece): 6 000 mm

**B** = Bellow block dimension

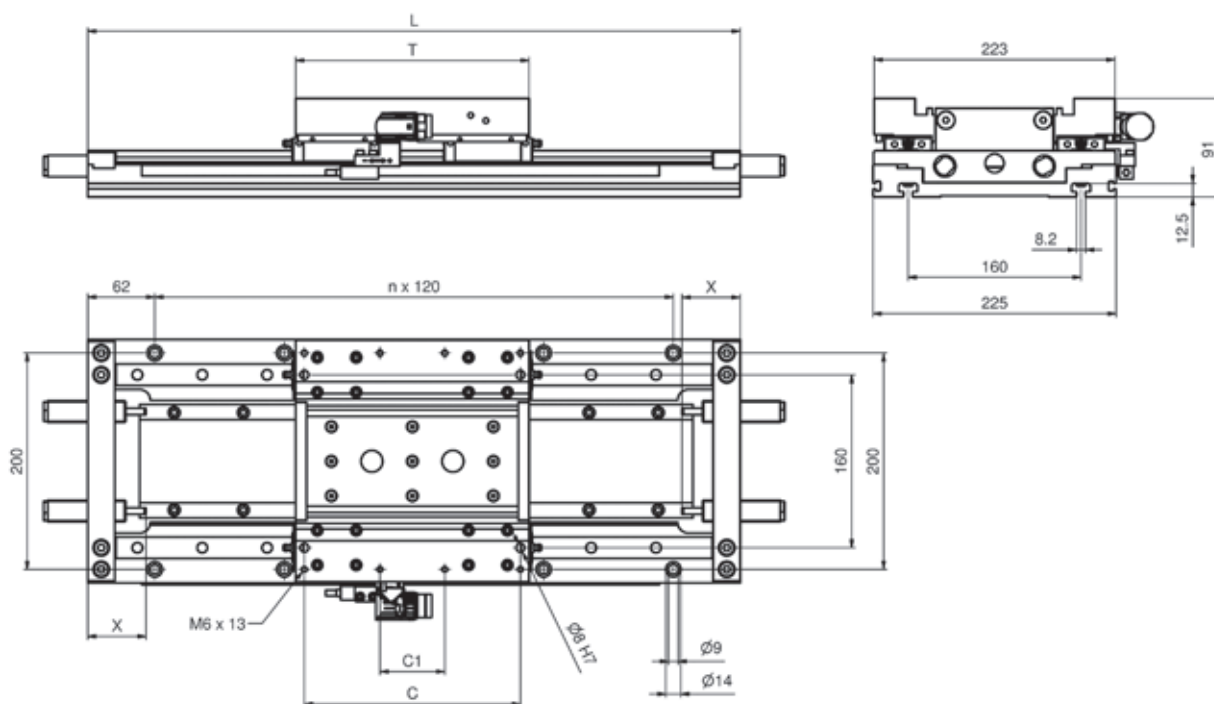
Calculation bellow block dimension **B**: Number of folds\* x 3 + 5 mm  
 \*Number of folds = round up ( $S / 16.5$ )

Type	T [mm]	X [mm]	C [mm]	C1 [mm]
AXLM155E_0330	215	66	135	-
AXLM155E_0400				
AXLM155E_0650	391	72	275	135
AXLM155E_0800				
AXLM155E_0980				
AXLM155E_1200	567		450	180

#### Mass

Guiding system	Basic mass (including slider mass) [kg]	Mass per 100 mm stroke [kg]	Slider mass [kg]
AXLM155E_0330	3,8	15	3,1
AXLM155E_0400	4,7		4,0
AXLM155E_0650	6,9		5,9
AXLM155E_0800	8,5		7,5
AXLM155E_0980	9,9		8,6
AXLM155E_1200	12,4		11,1

## AXLM225EA / AXLM225EW



**T** = Table length

**L** =  $S + T + 2 \times X (+ 2 \times B)^*$

\* For configuration version F (below)

**S** = Stroke

Maximum length (one-piece): 6 000 mm

**B** = Bellow block dimension

Calculation bellow block dimension B: Number of folds = round up ( $S / 27$ )

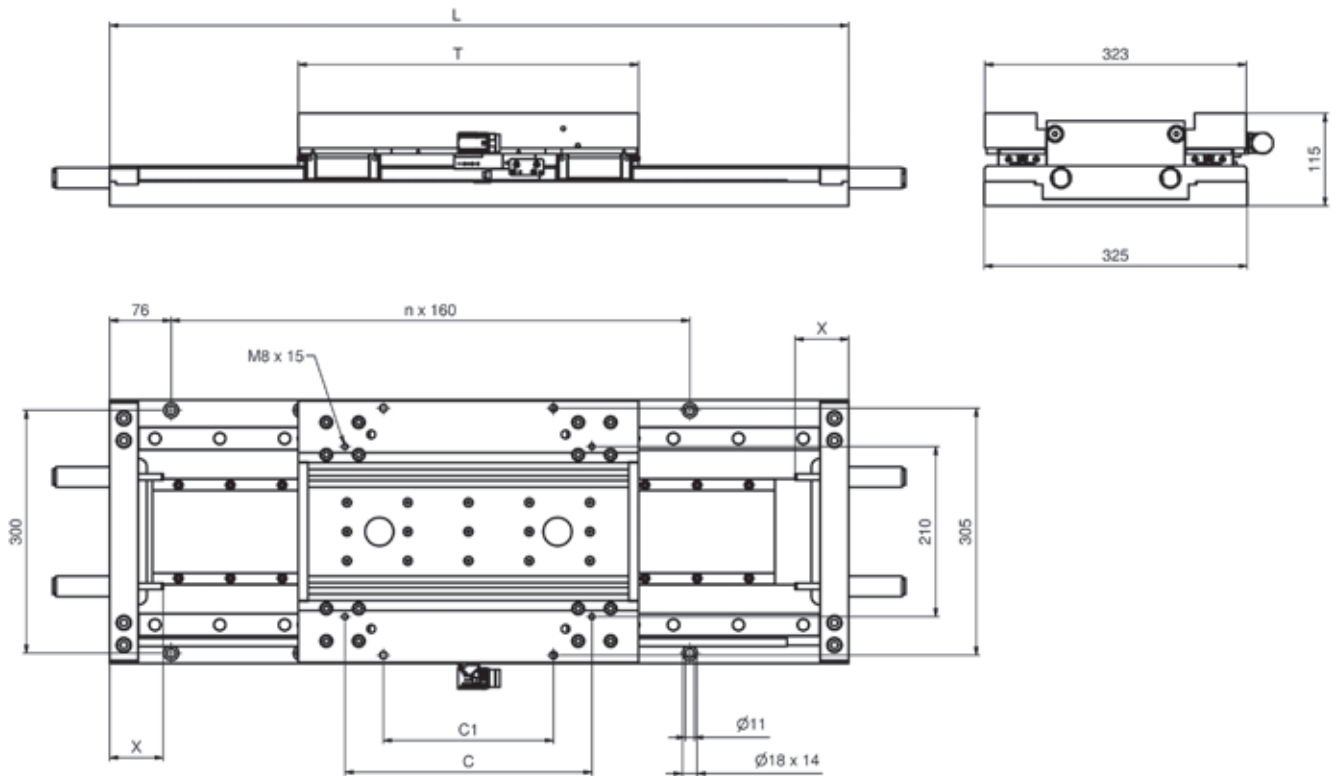
**B** = Number of folds  $\times 3 + 5$  mm

Type	T [mm]	X [mm]	C [mm]	C1 [mm]
AXLM225E_0650	216	82	200	60
AXLM225E_1000				
AXLM225E_1300	300		160	
AXLM225E_1950	470		250	
AXLM225E_2000	300		160	
AXLM225E_2600	650		430	
AXLM225E_3000	470		250	
AXLM225E_4000	650		430	
AXLM225E_5000	920		830	610

### Mass

Guiding system	Basic mass (including slider mass) [kg]	Mass per 100 mm stroke [kg]	Slider mass [kg]
AXLM225E_0650	9,5	2,2	8,4
AXLM225E_1000	10,9	2,5	9,8
AXLM225E_1300	15,6	2,2	14,1
AXLM225E_1950	22,9	2,2	21,0
AXLM225E_2000	17,7	2,5	16,1
AXLM225E_2600	29,4	2,2	27,1
AXLM225E_3000	26,2	2,5	24,2
AXLM225E_4000	34,7	2,5	32,2
AXLM225E_5000	43,0	2,5	40,1

## AXLM325EA / AXLM325EW



**T** = Table length  
**L** =  $S + T + 2 \times X (+ 2 \times B)^*$   
*\* For configuration version F (below)*

**S** = Stroke  
 Maximum length (one-piece): 6 000 mm  
**B** = Bellow block dimension

Calculation bellow block dimension B: Number of folds = round up ( $S / 27$ )  
**B** = Number of folds  $\times 3 + 5$  mm

Type	T [mm]	X [mm]	C [mm]	C1 [mm]
AXLM325E_2650	394	122	305	-
AXLM325E_3970	572		470	305
AXLM325E_5300	748		650	430
AXLM325E_6600	924		830	650

### Mass

Guiding system	Basic mass (including slider mass) [kg]	Mass per 100 mm stroke [kg]	Slider mass [kg]
AXLM325E_2650	32,2	4,3	28,9
AXLM325E_3970	44,2		40,1
AXLM325E_5300	58,5		53,7
AXLM325E_6600	73,0		67,4

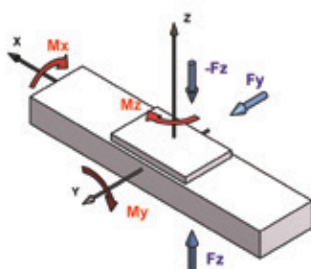
### 5.8.1.3 Maximum static load capacity

Type	Guiding system	Load [N]			Load moment [Nm]		
		$F_y$	$F_z$	$-F_z$	$M_x$	$M_y$	$M_z$
AXLM155E_0330	D	15 700	16 450	14 950	750	1 130	1 130
AXLM155E_0400	D	15 700	16 600	14 800	740	1 120	1 120
AXLM155E_0650	D	15 700	17 150	14 240	710	2 330	2 330
AXLM155E_0800	D	15 700	17 450	13 950	700	2 290	2 290
AXLM155E_0980	E	23 540	25 690	21 390	1 070	3 590	3 590
AXLM155E_1200	E	23 540	26 120	20 960	1 050	3 520	3 520
AXLM225E_0650	D	24 400	25 880	22 920	1 700	1 600	1 600
AXLM225E_1000	D	24 400	26 600	22 200	1 650	1 550	1 550
AXLM225E_1300	D	24 400	27 280	21 520	1 550	3 100	3 100
AXLM225E_1950	E	47 420	51 720	43 120	3 150	6 700	6 700
AXLM225E_2000	E	31 620	35 940	27 300	2 000	3 950	3 950
AXLM225E_2600	E	47 420	53 120	41 720	3 080	8 950	8 950
AXLM225E_3000	E	47 420	53 850	40 990	3 000	6 400	6 400
AXLM225E_4000	E	63 230	71 770	54 690	4 050	9 750	9 750
AXLM225E_5000	E	79 040	89 690	68 390	5 000	14 000	14 000
AXLM325E_2650	D	43 660	49 420	37 900	3 900	5 900	5 900
AXLM325E_3970	E	56 540	65 110	47 970	4 950	11 320	11 320
AXLM325E_5300	E	84 820	96 200	73 440	7 580	15 850	15 850
AXLM325E_6600	E	113 090	127 290	98 690	10 200	22 600	22 600

### 5.8.1.4 Dynamic load capacity

The dynamic load capacities of the guiding systems are based on a nominal life time of 50 000 km.

Type	Guiding system	Load [N]			Load moment [Nm]		
		$F_y$	$F_z$	$-F_z$	$M_x$	$M_y$	$M_z$
AXLM155E_0330	D	4 490	5 240	3 740	190	280	280
AXLM155E_0400	D	4 490	5 390	3 590	180	270	270
AXLM155E_0650	D	4 490	5 950	3 030	150	500	500
AXLM155E_0800	D	4 490	6 240	2 740	140	450	450
AXLM155E_0980	E	6 730	8 480	4 580	230	770	770
AXLM155E_1200	E	6 730	9 310	4 150	210	690	690
AXLM225E_0650	D	6 900	8 380	5 420	400	380	380
AXLM225E_1000	D	6 900	9 100	4 700	350	330	330
AXLM225E_1300	D	6 900	9 780	4 020	300	590	590
AXLM225E_1950	E	13 430	17 730	9 130	680	1 420	1 420
AXLM225E_2000	E	8 950	13 270	4 630	340	680	680
AXLM225E_2600	E	13 430	19 130	7 730	570	1 650	1 650
AXLM225E_3000	E	13 430	19 860	7 000	520	1 100	1 100
AXLM225E_4000	E	17 900	26 440	9 360	690	1 650	1 650
AXLM225E_5000	E	22 380	33 030	11 730	860	2 400	2 400
AXLM325E_2650	D	14 310	20 070	8 550	880	1 320	1 320
AXLM325E_3970	E	18 530	27 100	9 960	1 020	2 350	2 350
AXLM325E_5300	E	27 800	39 180	16 420	1 680	3 540	3 540
AXLM325E_6600	E	37 070	51 270	22 870	2 350	5 220	5 220



### 5.8.1.5 Feeding force

#### Feeding force AXLM155E

Type	Permissible peak force $F_{max}$ [N]	Permanent force $F_n$ [N]	Velocity by $F_n$ [m/s]
AXLM155EA0330	330	125	5,0*
AXLM155EW0330		240	
AXLM155EA0400	400	150	
AXLM155EW0400		300	
AXLM155EA0650	650	240	
AXLM155EW0650		470	
AXLM155EA0800	800	300	
AXLM155EW0800		600	
AXLM155EA0980	980	360	
AXLM155EW0980		700	
AXLM155EA1200	1 200	450	
AXLM155EW1200		900	

\*Maximum velocity with bellows 2 m/s

#### Feeding force AXLM225E

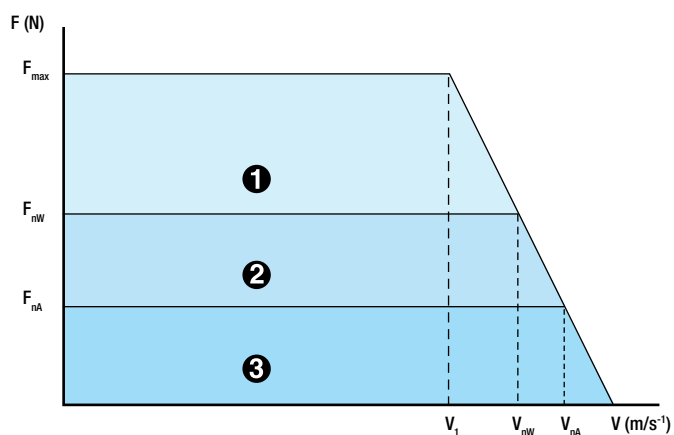
Type	Permissible peak force $F_{max}$ [N]	Permanent force $F_n$ [N]	Velocity by $F_n$ [m/s]
AXLM225EA0650	650	280	4,6
AXLM225EW0650		500	4,7
AXLM225EA1000	1 000	440	3,7
AXLM225EW1000		750	3,1
AXLM225EA1300	1 300	560	4,6
AXLM225EW1300		1 000	4,7
AXLM225EA1950	1 950	840	4,6
AXLM225EW1950		1 500	4,7
AXLM225EA2000	2 000	880	3,7
AXLM225EW2000		1 500	3,1
AXLM225EA2600	2 600	1 120	4,6
AXLM225EW2600		2 000	4,7
AXLM225EA3000	3 000	1 320	3,7
AXLM225EW3000		2 250	3,1
AXLM225EA4000	4 000	1 760	3,7
AXLM225EW4000		3 000	3,1
AXLM225EA5000	5 000	2 200	3,7
AXLM225EW5000		3 750	3,1

\*Maximum velocity with bellows 2 m/s

#### Feeding force AXLM325E

Type	Permissible peak force $F_{max}$ [N]	Permanent force $F_n$ [N]	Velocity by $F_n$ [m/s]
AXLM325EA2650	2 650	1 200	2,0
AXLM325EW2650		2 000	1,9
AXLM325EA3970	3 970	1 800	2,0
AXLM325EW3970		3 000	1,9
AXLM325EA5300	5 300	2 400	2,0
AXLM325EW5300		4 000	1,9
AXLM325EA6600	6 600	3 000	2,0
AXLM325EW6600		5 000	1,9

### 5.8.1.6 Force - Velocity - Characteristic



- $F_{max}$  Permissible motor peak force
- $F_{nA}$  Permanent force of the motor with air cooling (130° winding temperature)
- $F_{nW}$  Permanent force of the motor with water cooling (130° winding temperature)
- $V_1$  Maximum velocity with  $F_{max}$
- $V_{nA}$  Nominal velocity with  $F_{nA}$
- $V_{nW}$  Nominal velocity with  $F_{nW}$

- ❶ Overload operation
- ❷ Continuous operation area with water cooling
- ❸ Continuous operation area with air cooling

Figure 5.39 — Force –Velocity – Characteristic AXLM\_EA / AXLM\_EW

A short term operation in the overload range is in principle for linear motors allowed as well as rotary servo motors.

The linear motor can be overloaded in the "overload operation" for a maximum of 5 s, for example, during acceleration.

However, the effective force must be in the range "continuous operation".

### 5.8.1.7 Current consumption

The following values are based on a standard winding with a direct current link voltage of  $U_{DC} = 560V$ . Deviating windings for other direct current link voltage are available on request.

$I_{max}$  = Peak current at the peak force  $F_{max}$

$I_n$  = Continuous current / rated current at permanent force  $F_n$

$I_{ULT}$  = Value of the feeding current, if exceeded the magnets will be demagnetized

$P_V$  = Power dissipation at permanent force  $F_n$

$F_A$  = Magnetic pull between primary and secondary components

#### Current consumption AXLM155

Type	$I_{max}$ [A]	$I_n$ [A]	$I_{ULT}$ [A]	$P_V$ [W]	$F_A$ [N]
AXLM155EA0330	6,0	1,9	8,0	74	750
AXLM155EW0330	6,0	4,2	8,0	329	750
AXLM155EA0400	8,0	2,6	10,0	80	900
AXLM155EW0400	8,9	6,4	11,0	410	900
AXLM155EA0650	11,8	3,6	15,0	137	1 458
AXLM155EW0650	11,8	8,2	15,0	632	1 458
AXLM155EA0800	16,0	5,2	20,0	150	1 750
AXLM155EW0800	17,7	12,7	22,0	820	1 750
AXLM155EA0980	17,8	5,5	22,0	206	2 150
AXLM155EW0980	17,8	12,2	22,0	934	2 150
AXLM155EA1200	25,0	7,8	30,0	230	2 580
AXLM155EW1200	26,6	19,1	33,0	1 230	2 580

#### Current consumption AXLM225

Type	$I_{max}$ [A]	$I_n$ [A]	$I_{ULT}$ [A]	$P_V$ [W]	$F_A$ [N]
AXLM225EA0650	7,8	2,9	10,0	130	1 480
AXLM225EW0650	8,6	6,4	11,0	550	1 480
AXLM225EA1000	8,0	3,1	10,0	190	2 200
AXLM225EW1000	8,9	6,4	11,0	730	2 200
AXLM225EA1300	15,6	5,8	20,0	260	2 880
AXLM225EW1300	17,2	12,8	22,0	1 100	2 880
AXLM225EA1950	23,5	8,8	30,0	390	4 300
AXLM225EW1950	25,8	19,2	33,0	1 660	4 300
AXLM225EA2000	16,0	6,2	20,0	380	4 320
AXLM225EW2000	17,7	12,8	22,0	1 460	4 320
AXLM225EA2600	31,2	11,5	40,0	520	5 700
AXLM225EW2600	34,4	25,6	44,0	2 210	5 700
AXLM225EA3000	24,0	9,3	30,0	570	6 430
AXLM225EW3000	26,6	19,2	33,0	2 190	6 430
AXLM225EA4000	32,0	12,3	40,0	760	8 540
AXLM225EW4000	35,4	25,6	44,0	2 920	8 540
AXLM225EA5000	41,0	15,6	50,0	950	10 650
AXLM225EW5000	44,3	32,0	55,0	3 650	10 650

#### Current consumption AXLM325

Type	$I_{max}$ [A]	$I_n$ [A]	$I_{ULT}$ [A]	$P_V$ [W]	$F_A$ [N]
AXLM325EA2650	14,2	5,6	18,0	490	5 760
AXLM325EW2650	17,6	12,8	22,0	1 820	5 760
AXLM325EA3970	21,3	8,4	27,0	740	8 570
AXLM325EW3970	26,4	19,2	33,0	2 730	8 570
AXLM325EA5300	28,4	11,2	35,0	980	11 380
AXLM325EW5300	35,2	25,6	44,0	3 640	11 380
AXLM325EA6600	35,5	14,0	45,0	1 230	14 200
AXLM325EW6600	44,0	32,0	55,0	4 560	14 200





### 5.8.1.8 Motor Interface

The interface between motor and controller is via a plug mounted on the side of the slider of the AXLM Axis. It is up to a peak current  $I_{max}$  of 30A a built-in boxes M23x1 for circular connectors. With a peak current  $I_{max}$  over 30A built-in boxes M40x1.5 for circular connectors are used.

The built-in boxes have a 8-pin design with below shown pin configuration.

Circular connector

Pin	Function	Color
1	U	BLACK 1
	 GND	10,0
3	V	BLACK 2
4	W	BLACK 3
A	Thermo switch	WHITE
B	Thermo switch	BROWN
C	not configurated	
D	not configurated	

Circular connector  
M23 x 1



Circular connector  
M40 x 1,5



NTN-SNR can supply the AXLM Axis with pre-assembled motor connection cables on request.

For more information please contact our NTN-SNR application engineers.

## 6. Accessories

### 6.1 Fastening and connecting elements

For the assembly of SNR Linear Axis is a perfectly matched range of fastening elements available. Sliding blocks, fastening strips and an extensive range of connecting elements offer manifold possibilities to fix the axis on mounting surfaces or to combine axis.

As fastening and connecting elements the following components are available:

- Fastening strips and fastening elements
- Sliding blocks
- Hammer screws
- Direct connections
- Cross connections
- Gantry connections
- A –Standard connection
- Angle connections

#### 6.1.1 Fastening strips / fastening elements

Fastening strips and fastening elements (Figures 6.1 and 6.3) are available for Linear Axis of the series AXC, AXDL and AXF.

The distance between the fastening points should be selected depending on the load and the required straightness and the rigidity. The dimensions and type codes, including the ID - Numbers are shown for Linear Axis of the series AXC and AXDL in Figure 6.2 and Table 6.1 and for Linear Axis of the AXF series in Figure 6.4 and Table 6.2. For Linear Axis of the AXF series, the dimensions J and F (Chapter 5.3.1.2 and 5.3.2.2) as well as the number of fastening elements must be specified.

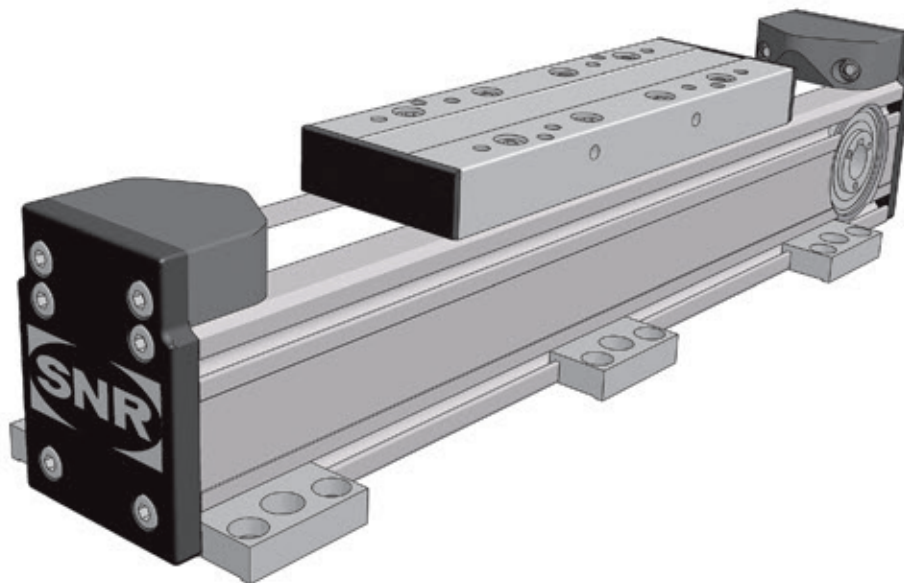


Figure 6.1 — Linear Axis AXC fastening strips

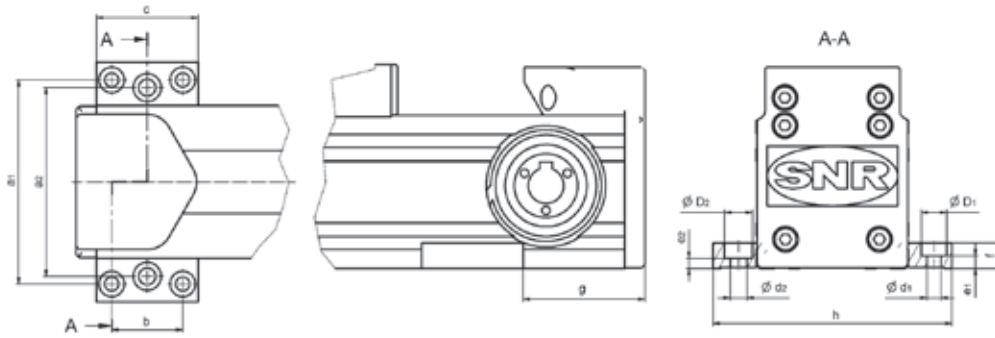


Figure 6.2 — Dimensions fastening strips AXC / AXDL

Table 6.1 — Fastening strips AXC / AXDL

Type	Designation	ID number	a1 [mm]	a2 [mm]	b [mm]	c [mm]	d1 [mm]	D1 [mm]	e1 [mm]	d2 [mm]	D2 [mm]	e2 [mm]	f [mm]	g <sup>1</sup> [mm]	h [mm]
AXC40	AX-AC-FST-40x13-2	108663	55		28	40	5,5	10	7,0				13	38 <sup>2</sup>	66
AXC60 <sup>3</sup>	AX-AC-FST-40x10-3	108579	80	74	28	40	5,5	10	5,0	6,6	11	4	10	48	94
AXC80	AX-AC-FST-70x20-2	108075	94		50	70	6,6	11	14,0				20	76	108
AXC100Z_B	AX-AC-FST-78x22-2	110236	116		60	78	9,0	15	11,5				22	108	140
AXC100Z_C	AX-AC-FST-80x22-2	104481	120		40	80	9,0	15	13,0				22	108	140
AXC100Z_L	AX-AC-FST-120x22-3	111181	120	120	80	120	9,0	15	13,0	9	15	13	22	108	140
AXC100_D	AX-AC-FST-68x9-2	150999	118		50	68	6,5	11	3,5				9	88	128
AXC120 <sup>4</sup>	AX-AC-FST-78x22-2	110236	136		60	78	9,0	15	11,5				22	108	160
	AX-AC-FST-80x22-2	104481	140		40	80	9,0	15	13,0				22	108	160
	AX-AC-FST-120x22-3	111181	140	140	80	120	9,0	15	13,0	9	15	13	22	108	160
AXDL110	AX-AC-FST-47x7-2	150822	126		30	47	5,5	9	3,5				7	69	140
AXDL160	AX-AC-FST-68x9-2	150999	174		50	68	6,5	11	3,5				9	88	188
AXDL240 <sup>4</sup>	AX-AC-FST-78x22-2	110236	256		60	78	9,0	15	11,5				22	108	280
	AX-AC-FST-80x22-2	104481	260		40	80	9,0	15	13,0				22	108	280
	AX-AC-FST-120x22-3	111181	260	260	80	120	9,0	15	13,0	9	15	13	22	108	280

<sup>1</sup> - For toothed belt axis measure k2 of drive adapter or gearbox Chapter 6.2.4.1, Table 6.23, but  $\geq$  dimension a of the machining on the drive-side Chapter 6.2.1, Table 6.15

<sup>2</sup> - For toothed belt axis with assembled coupling

<sup>3</sup> - Also suitable for standard machine construction profiles spacing 20

<sup>4</sup> - Also suitable for standard machine construction profiles spacing 40

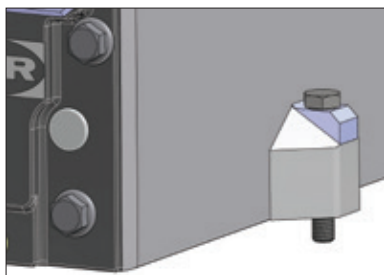


Figure 6.3 — Linear Axis AXF with fastening element

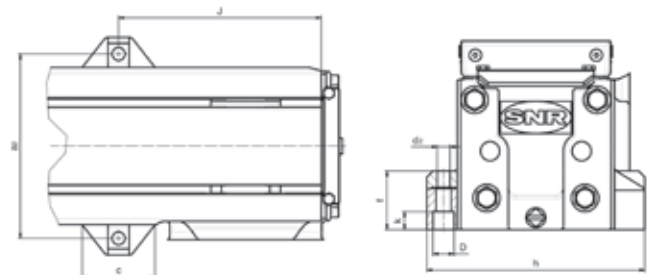


Figure 6.4 — Dimensions fastening element AXF

Table 6.2 — Fastening element AXF

Type	Designation	ID number	a2 [mm]	c [mm]	D [mm]	d2 [mm]	f [mm]	J <sub>min</sub> [mm]	h [mm]	k [mm]
AXF100Z								134 <sup>1</sup>		
AXF100S AXF100T AXF100G	AX-AC-FEL-48x39-1	371439	122	48	12 H8	8,5	39	30	144	12

<sup>1</sup> - Drive side, see dimension Chapter 5.3.1.2

## 6.1.2 Sliding blocks

Sliding blocks (Figure 6.4) are available for Linear Axis of the series AXC, AXDL, AXLT and AXS.

The distance between the sliding blocks should be selected depending on the load and the required straightness and the rigidity. Four different designs of sliding blocks are available. The dimensions and type codes, including the ID - Numbers of the sliding blocks are shown in Figure 6.5 and Table 6.3.

### Design type E / F

- Standard sliding block
- Steel galvanized (partly stainless steel A2 possible)
- Can be swiveled into any position
- Fixation via spring-loaded ball



### Design type R

- For effective component mounting
- Zinc diecasting
- Is pre-assembled on the component and can be inserted in any position
- Locking by tightening the screw



### Design type S

- Heavy load sliding block
- Steel galvanized (partly stainless steel A2 possible)
- Pushed in from the profile end
- For groove width 8 fixation via spring-loaded ball

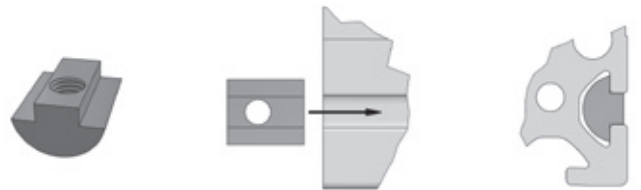


Figure 6.5 — Sliding block designs

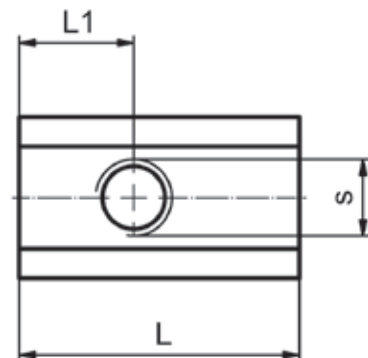


Figure 6.6 — Sliding block dimensions

Table 6.3 — Sliding blocks

Type	Designation	ID number	Design type	S	L <sup>1</sup> [mm]	L1 <sup>1</sup> [mm]	TA <sup>2</sup> [mm]	max. tensile force [N]
AXC40 AXC60	AX-AC-SBL-5ST-M3-E	109066	E	M3	12	3,0	1,5	500
	AX-AC-SBL-5ST-M4-E	109073	E	M4	12	4,0	3,0	500
	AX-AC-SBL-5ST-M4-E-A2	289073	E	M4	12	4,0	3,0	500
	AX-AC-SBL-5ST-M5-E	109070	E	M5	12	4,0	4,5	500
	AX-AC-SBL-5ST-M5-E-A2	139275	E	M5	12	4,0	4,5	500
	AX-AC-SBL-5-M3-R-Zi	103758	R	M3	5	2,5	1,0	50
AXC80	AX-AC-SBL-6ST-M4-E	109094	E	M4	17	5,0	4,0	1 750
	AX-AC-SBL-6ST-M5-E	109093	E	M5	17	5,0	8,0 <sup>3</sup>	1 750
	AX-AC-SBL-6ST-M6-E	109091	E	M6	17	5,5	14,0 <sup>3</sup>	1 750
	AX-AC-SBL-6ST-M6-E-A2	203392	E	M6	17	5,5	14,0 <sup>3</sup>	1 750
	AX-AC-SBL-6-M4-R-Zi	103759	R	M4	15	7,5	1,5	150
AXC100Z (groove laterally above)	AX-AC-SBL-6-ST-M4-F	255069	F	M4	16	8,0	4,0 <sup>3</sup>	1 750
	AX-AC-SBL-6-ST-M5-F	353280	F	M5	16	8,0	8,0 <sup>3</sup>	1 750
	AX-AC-SBL-6-ST-M6-F	255070	F	M6	16	8,0	14,0 <sup>3</sup>	1 750
AXC100Z (groove below and laterally below)	AX-AC-SBL-8-ST-M5-F	258785	F	M5	22	7,0	8,0 <sup>3</sup>	2 500
	AX-AC-SBL-8-ST-M6-F	183942	F	M6	22	7,0	14,0 <sup>3</sup>	2 500
	AX-AC-SBL-8-ST-M8-F	149812	F	M8	22	7,0	25,0	2 500
AXC120 AXLT155 AXLT225 AXS120T AXS200 AXDL240	AX-AC-SBL-8ST-M4-E	103763	E	M4	22	9,0	4,0	2 500
	AX-AC-SBL-8ST-M6-E	108963	E	M6	22	9,0	14,0 <sup>3</sup>	3 500
	AX-AC-SBL-8ST-M8-E	108962	E	M8	22	9,0	25,0	5 000
	AX-AC-SBL-8-M4-R-Zi	109090	R	M4	19	9,5	1,5	250
	AX-AC-SBL-8-M5-R-Zi	103761	R	M5	19	9,5	1,5	250
	AX-AC-SBL-8ST-M5-S	103753	S	M5	22	9,0	8,0 <sup>3</sup>	2 500
	AX-AC-SBL-8ST-M6-S	103755	S	M6	22	7,0	14,0 <sup>3</sup>	3 500
	AX-AC-SBL-8ST-M8-S	108961	S	M8	20	7,0	34,0 <sup>3</sup>	5 000
	AX-AC-SBL-8ST-M8-S-A2	203213	S	M8	20	7,0	34,0 <sup>3</sup>	5 000
AXS280	AX-AC-SBL-12ST-M6-S	410647	S	M6	35	11,5	14,0 <sup>3</sup>	6 000
	AX-AC-SBL-12ST-M8-S	109067	S	M8	35	11,5	34,0 <sup>3</sup>	3 500
	AX-AC-SBL-12ST-M10-S	103760	S	M10	35	11,5	46,0	10 000
AXS230 AXS460	AX-AC-SBL-DIN508-14-M8-S	103764	S	M8	22	11,0	34,0 <sup>3</sup>	6 000
	AX-AC-SBL-DIN508-14-M12-S	103749	S	M12	22	11,0	85,0	10 000

<sup>1</sup> - Maximum value, deviating dimension possible

<sup>2</sup> - Maximum tightening torque

<sup>3</sup> - Maximum tightening torque only applies to screws of property class 10.9

### 6.1.3 Hammer screws

Hammer screws (Figure 6.7) and hammer nuts are used for mounting the Linear Axis of the AXF series. For this purpose the closed profile grooves must be opened at positions defined by the user.



Figure 6.7 — Linear Axis AXF with hammer screws

Hammer screws and hammer nuts are available in different sizes and lengths. The dimensions and the type code, including the ID number of the hammer screws and hammer nuts are shown in Figure 6.8 and Table 6.4.

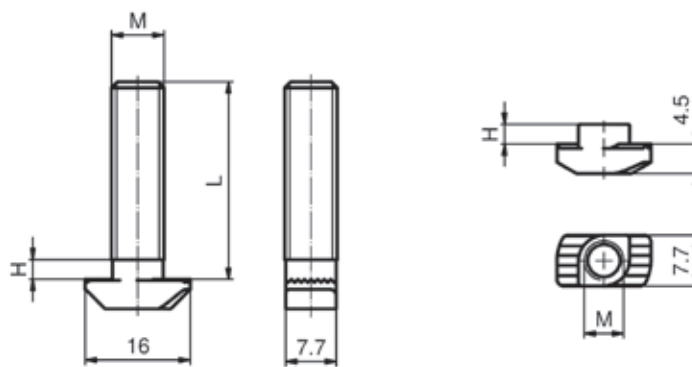


Figure 6.8 — Dimensions hammer screws and hammer nuts AXF

Table 6.4 — Hammer screws and hammer nuts AXF

Type	Designation	ID number	Design type	H [mm]	L [mm]	M	Material
AXF100	AX-AC-HNU-8M6	396378	R	3,0		M6	galvanized steel
	AX-AC-HSC-8M8x30	328149	R	3,0	30	M8	
	AX-AC-HSC-8M8x40	372088	R	3,0	40	M8	

## 6.1.4 Direct connection

Direct connections (Figures 6.9 and 6.10) are connecting sets which contain all the essential connecting elements such as adapter plates, fastening strips, screws.

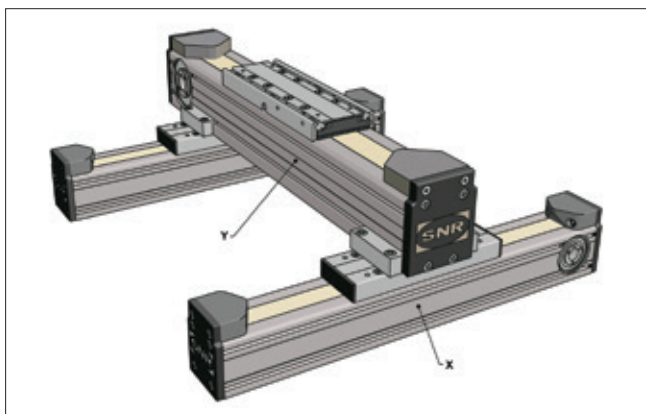


Figure 6.9 — Direct connection AXC / AXC

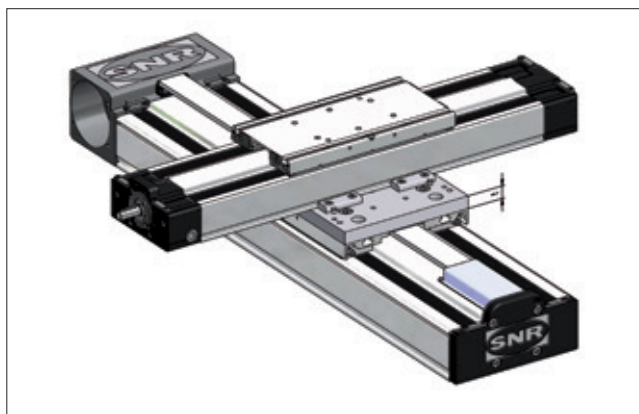


Figure 6.10 — Direct connection AXDL / AXDL

The type codes and ID number of direct connections are shown in Table 6.5.

Table 6.5 — Direct connection AXC / AXDL

	Y - Axis								
	AXC40	AXC60	AXC80	AXC100Z_B AXC100Z_C AXC100Z_L	AXC100_D	AXC120	AXDL110	AXDL160	AXDL240
AXC40	AX-AC-DCU-40-40 (ID 250762)	AX-AC-DCU-40-60 (ID 382286)							
AXC60		2x AX-AC-DCU-60-60 (ID 230147)	AX-AC-DCU-60-80 (ID 205685)			AX-AC-DCU-60-120 (ID 382283)	AX-AC-DCU-60-110 <sup>4</sup> (ID 173421)		
AXC80				AX-AC-DCU-80-120 (ID 207896)	AX-AC-DCU-80-160 (ID 167332)	AX-AC-DCU-80-120 (ID 207896)		AX-AC-DCU-80-160 (ID 167332)	AX-AC-DCU-80-120 <sup>5</sup> (ID 207896)
AXC100 AXF100						AX-AC-DCU-120-120 (ID 170469)			AX-AC-DCU-120-120 (ID 170469)
AXC120				AX-AC-DCU-120-120 (ID 170469)		AX-AC-DCU-120-120 (ID 170469)			
X - Axis MB profile raster 40		AX-AC-DCU-60-60 (ID 230147) + 2x AX-AC-FST-80-22-2 (ID 104481) + 4x M8x25 DIN912 (ID 113509) + 4x AX-AC-SBL-8ST-M6-E (ID 108963)		2x AX-AC-FST-80-22-2 (ID 104481) + 4x M8x25 DIN912 (ID 113509) + 4x AX-AC-SBL-8ST-M6-E (ID 108963) or 2x AX-AC-FST-120-22-3 (ID 111181) + 6x M8x25 DIN912 (ID 113509) + 6x AX-AC-SBL-8ST-M6-E (ID 108963)		2x AX-AC-FST-80-22-2 (ID 104481) + 4x M8x25 DIN912 (ID 113509) + 4x AX-AC-SBL-8ST-M6-E (ID 108963) or 2x AX-AC-FST-120-22-3 (ID 111181) + 6x M8x25 DIN912 (ID 113509) + 6x AX-AC-SBL-8ST-M6-E (ID 108963)			2x AX-AC-FST-80-22-2 (ID 104481) or 2x AX-AC-FST-120-22-3 (ID 111181)
MB profile raster 50			AX-AC-DCU-60-80 (ID 205685) + 4x AX-AC-SBL-8ST-M6-E (ID 108963)					2 x AX-AC-FST-68-9-2 (ID 150999)	
AXDL110	AX-AC-DCU-110-40 <sup>1</sup> (ID 382287)	AX-AC-DCU-110-60 <sup>1</sup> (ID 281274)					AX-AC-DCU-110-110 (ID 207936)		
AXDL160 <sup>2</sup>		AX-AC-DCU-160-60 (ID 382288)	AX-AC-DCU-160-80 (ID 288848)				AX-AC-DCU-160-110 (ID 357642)	AX-AC-DCU-160-160 (ID 308879)	
AXDL240 <sup>3</sup>						AX-AC-DCU-240-120 (ID 288945)		AX-AC-DCU-240-160 (ID 248768)	AX-AC-DCU-240-240 (ID 187412)

<sup>1</sup> - Distance plate  $t = 12 \text{ mm}$

<sup>2</sup> - Distance plate  $t = 15 \text{ mm}$

<sup>3</sup> - Distance plate  $t = 20 \text{ mm}$

<sup>4</sup> - Additional boreholes in the tabletop of the X - axis required

<sup>5</sup> - Only for AXC80 with guiding system C possible

The linear tables of the AXLT series are designed that they can be combined in the simplest way to cross tables (Figure 6.10). Depending on the size, an adapter is not necessary.

In cross tables with the arrangement base plate on tabletop either linear tables of the same size or the next smaller size can be mounted on the tabletop. An adapter plate is not necessary in both cases.

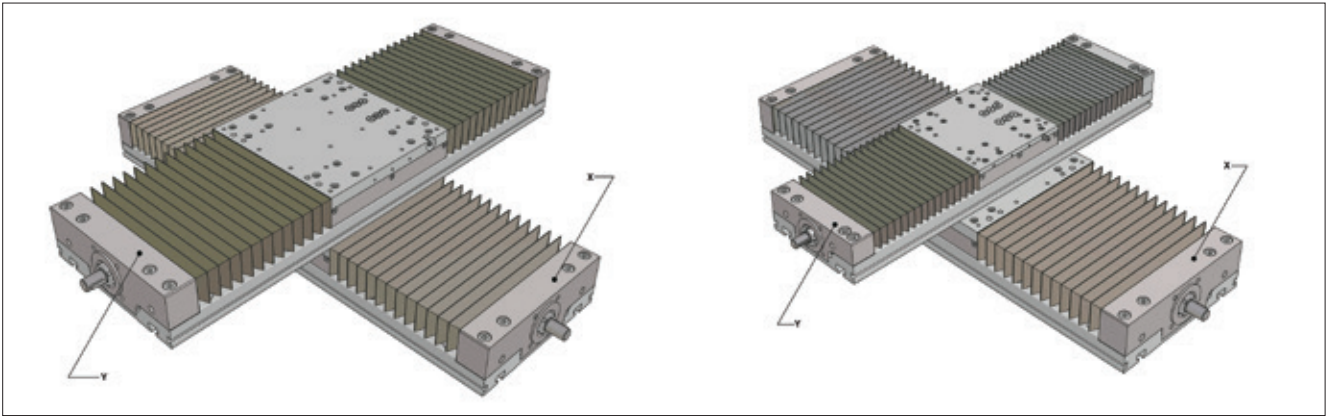


Figure 6.10 — Direct connection AXLT

The type codes and ID number of direct connections are shown in Table 6.6.

Table 6.6 — Direct connection AXLT

		Y - Axis			
		AXLT155	AXLT225	AXLT325	AXLT455
X - Axis	AXLT155	AX-AC-DCU-155-155 (ID 261642)			
	AXLT225	AX-AC-DCU-225-155 (ID 352103)	AX-AC-DCU-225-225 (ID 315714)		
	AXLT325		AX-AC-DCU-325-225 (ID 382274)	AX-AC-DCU-325-325 (ID 290188)	
	AXLT455			AX-AC-DCU-455-325 (ID 245182)	AX-AC-DCU-455-455 (ID 382275)



### 6.1.5 Cross connection

Cross connections (Figure 6.11) are connecting elements for the mounting of 2 – axis systems in which the tabletops of the respective axis are assembled together. The cross connections include all necessary connecting elements inclusive the screws.

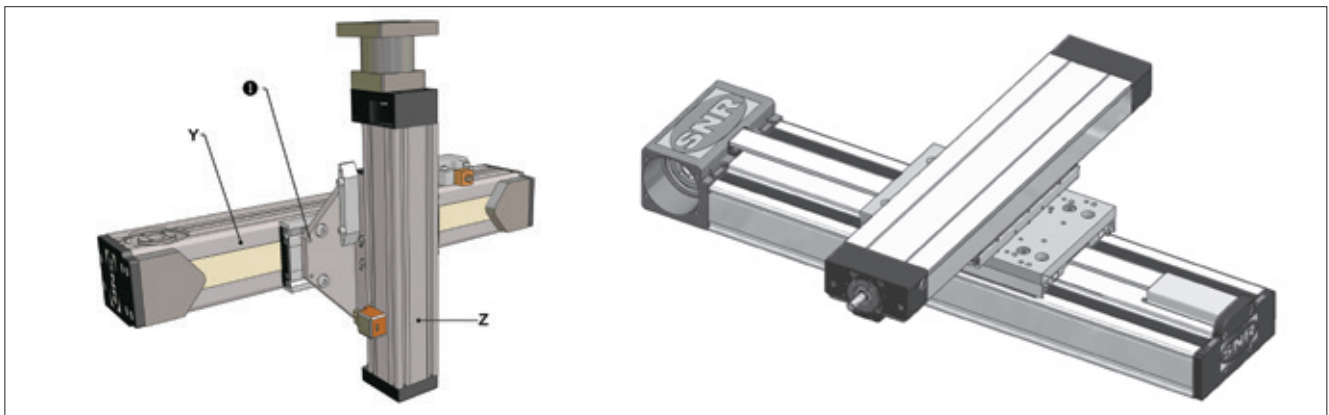
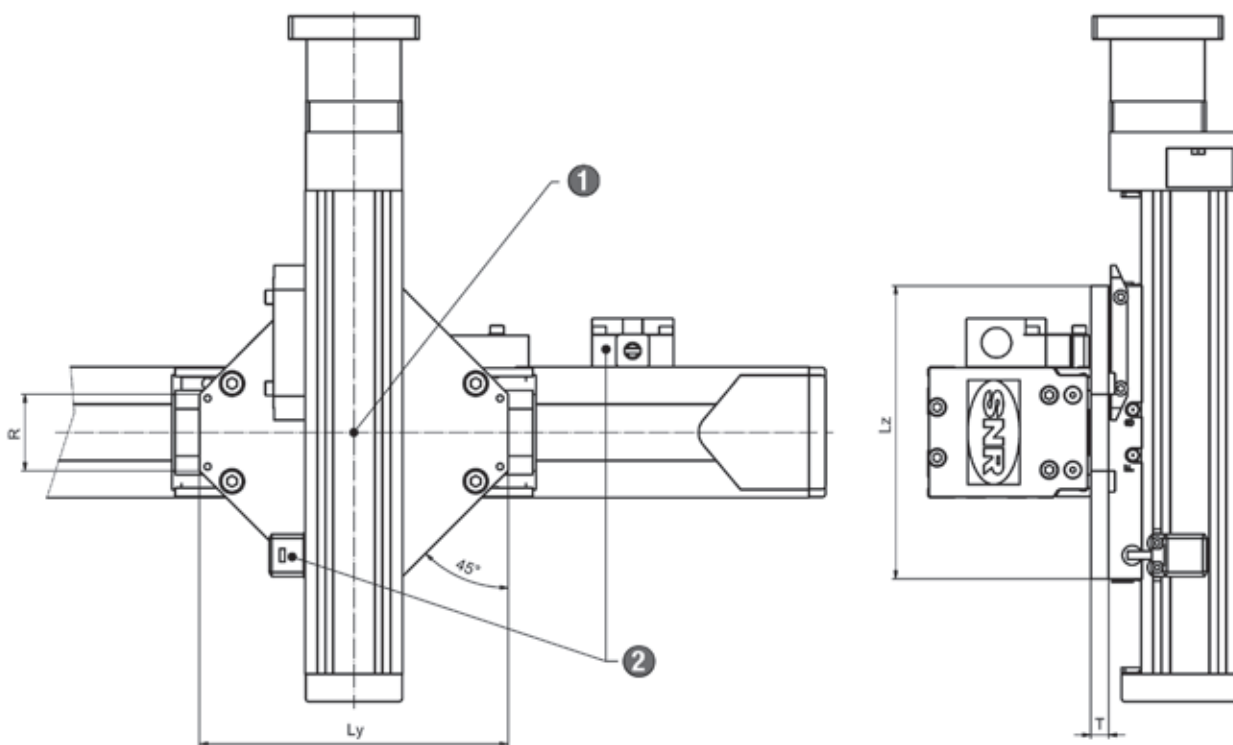


Figure 6.11 — Cross connection AXC / AXC and AXC / AXDL

① Alignment by cylindrical pin or Mounting edge

The type codes and dimensions including ID number of the cross connections are shown in Figure 6.12 and Table 6.7.



- ① Centerline of the Axis = middle slider plate
- ② Note the installation side of the switches for the Y – axis with Typ AXC60

Figure 6.12 — AX – Cross connection

Table 6.7 — Cross connection AXC / AXDL

Y - Axis	Z - Axis	Type code	ID number	Ly	Lz [mm]	R [mm]	T [mm]
AXC60	AXC40	AX-AC-CCU-60-40	382276	90	90	58	10
AXC60	AXC60	AX-AC-CCU-60-60	160635	90	90	58	12
AXC80	AXC60	AX-AC-CCU-80-60	158840	190	180	47	11
AXC80	AXC80	AX-AC-CCU-80-80	253556	220	220	77	15
AXC100	AXC80	AX-AC-CCU-100-80	382277	280	220	116	20
AXC120	AXC80	AX-AC-CCU-120-80	187419	280	220	116	20
AXC120	AXC120	AX-AC-CCU-120-120	311633	280	280	116	20
AXDL110	AXC40	AX-AC-CCU-110-40	382278	215	120		12
AXDL110	AXC60	AX-AC-CCU-110-60	252539	150	120		12
AXDL160	AXC60	AX-AC-CCU-160-60	265455	240	160		15
AXDL160	AXC80	AX-AC-CCU-160-80	169160	220	200		20
AXDL240	AXC80	AX-AC-CCU-240-80	382279	330	240		20
AXDL240	AXC100	AX-AC-CCU-240-100	382280	330	325		20
AXDL240	AXC120	AX-AC-CCU-240-120	172533	330	325		20
AXDL110	AXDL110	AX-AC-CCU-110-110	259405	150	120		12
AXDL160	AXDL110	AX-AC-CCU-160-110	351593	240	160		15
AXDL160	AXDL160	AX-AC-CCU-160-160	264974	240	160		15
AXDL240	AXDL160	AX-AC-CCU-240-160	329494	330	240		20
AXDL240	AXDL240	AX-AC-CCU-240-240	163391	330	240		20

In the cross tables of the AXLT series with the arrangement tabletop to tabletop either linear tables of the same size or the next smaller size can be mounted (Figure 6.13). A distance plate is not necessary beginning with size AXLT325.

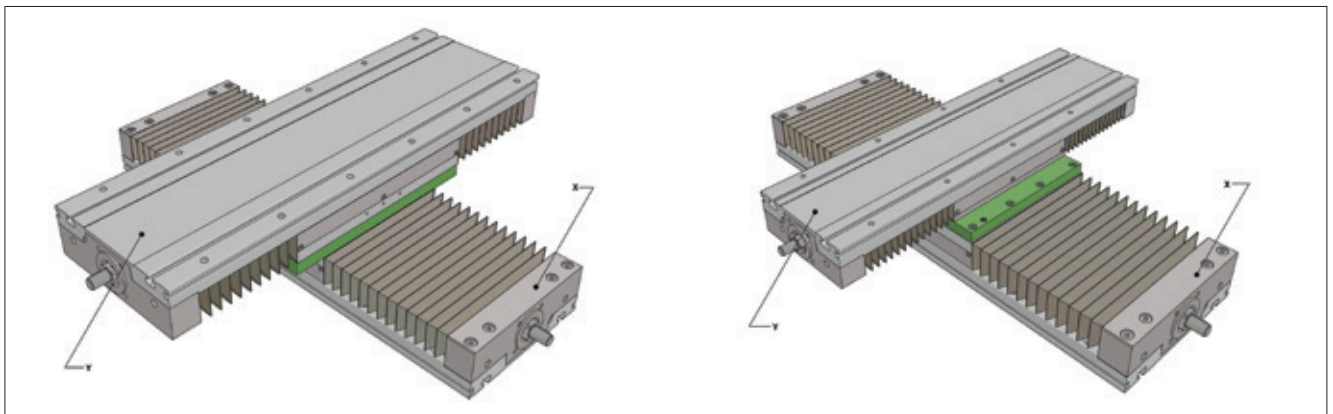


Figure 6.13 — Cross connection AXLT

The type codes and including ID number of the cross-connections are shown in Table 6.8.

Table 6.8 — Direct connection AXLT

		Y - Axis			
		AXLT155 (Guiding system E)	AXLT225 (Guiding system E)	AXLT325 (Guiding system E)	AXLT455
X - Axis	AXLT155	AX-AC-CCU-155-155 (ID 186015)			
	AXLT225	AX-AC-CCU-225-155 (ID 262080)	AX-AC-CCU-225-225 (ID 382281)		
	AXLT325		AX-AC-CCU-325-225 (ID 262991)	AX-AC-CCU-325-325 (ID 382282)	
	AXLT455			AX-AC-CCU-455-325 (ID 382284)	AX-AC-CCU-455-455 (ID 382285)

## 6.1.6 Gantry connection

Gantry connections (Figure 6.14) are connecting elements for the mounting of X – Y -axis systems in where the Y – axis will be assembled in 90° position.

Gantry connections contain all the essential connecting elements including screws.

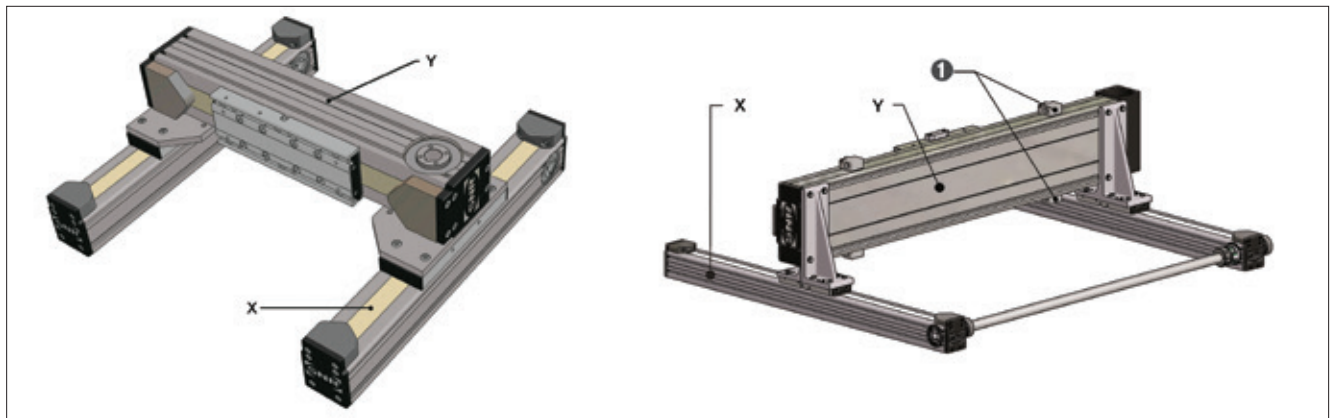


Figure 6.14 — Gantry connection AXC / AXC and AXC / AXDL

① Switches available on both sides

The type codes and dimensions including ID number of the gantry connections are shown in Figure 6.15 and Table 6.9.

Figure 6.15 — Gantry connection AXC - AXC

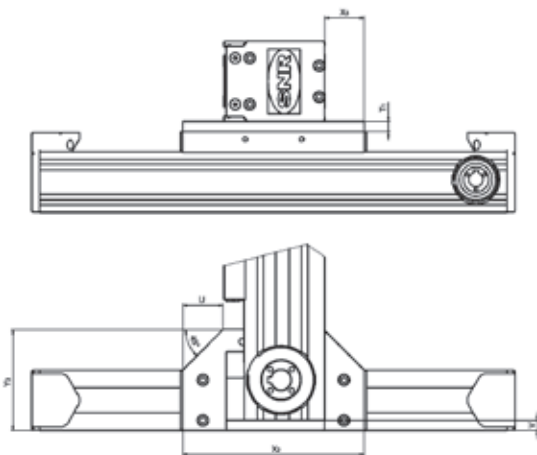


Figure 6.16 — Gantry connection AXC - AXDL

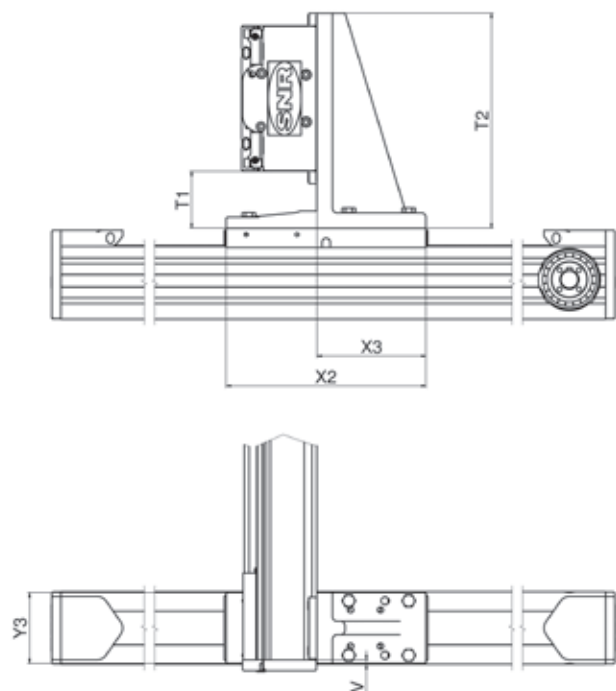


Table 6.9 – Gantry connection AXC / AXDL

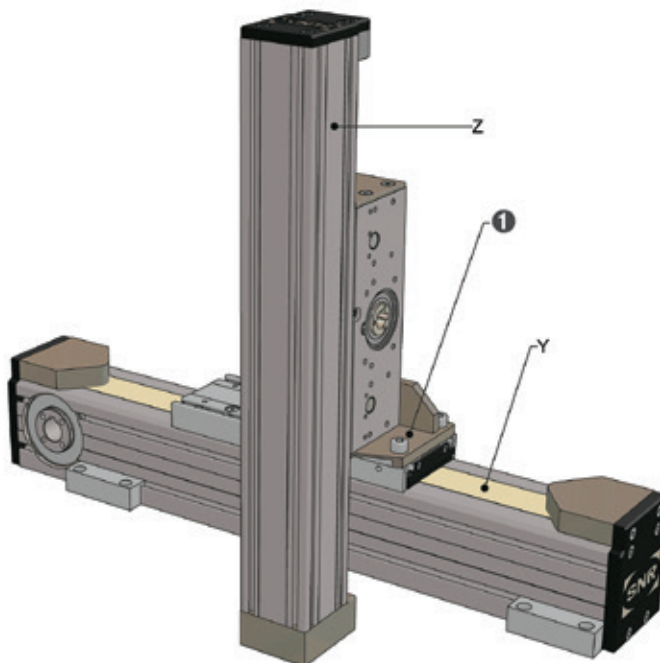
X - Axis	Y - Axis	Designation	ID number	T1 [mm]	T2 [mm]	U [mm]	V [mm]	X2 [mm]	X3 [mm]	Y3 [mm]	
AXC40	AXC60	AX-AC-GCU-40-60	305211	8		10	11,0	98	19	59,0	
AXC60	AXC60	AX-AC-GCU-60-60	190012	12		16	15,5	130	30	74,5	
	AXC80Z	AX-AC-GCU-60-80	160364	10		40	10,0	180	39	100,0	
	AXC80S/T/A						22,0				
		AXDL110	AX-AC-GCU-60-110	230361	49	174		5,5	160	90	58,0
		AXDL160	AX-AC-GCU-60-160	265454	63	237		5,0	220	120	78,0
AXC80	AXC80Z	AX-AC-GCU-80-80	146277	10			0,0	155	19	80,0	
	AXC80S/T/A						10,0				
		AXC120Z	AX-AC-GCU-80-120	173183	15		6	20,01 / 10,0	194	16	140,0
		AXC120S/T/A						20,01 / 25,0			
			AX-AC-GCU-80-160	169154	63	237		5,0	220	120	78,0
	AXDL240	AX-AC-GCU-80-240	253949	49	287		11,0	220	120	100,0	
AXC100_B	AXDL240	AX-AC-GCU-120-240	172106	49	287		11,0	220	137	100,0	
AXC100_C	AXDL240								132		
AXC120_B	AXDL240								120		
AXC120_L	AXS280	AX-AC-GCU-120-280	164317	30			-40,01	170	30	200,0	
AXC120_C AXC120_M	AXS280	AX-AC-GCU-120C-280	473021	30			62,51	525	72,5	118,0	
AXS120M	AXS280	AX-AC-GCU-120M-280	473020	30			62,5	525	112,5	118,0	

<sup>1</sup> - Fixation of the position on the X – axis by cylindrical pin

### 6.1.7 A – Standard connection

A - Standard connections are connecting elements for the combination from Linear Axis of the series AXC and AXDL with axis with toothed belt -  $\Omega$  – drive of the series AXC and AXDL (Figure 6.17).

The A – standard connections contain all the essential connecting elements including screws.



**1** Optional fixation of the position adapted for the assembling as a 3 – axis – system with direct connection to the X – axis

Figure 6.17 – A – Standard connection AXC / AXDL

The type codes and dimensions including ID number of the A - standard connections are shown in Figure 6.17 and Table 6.10.

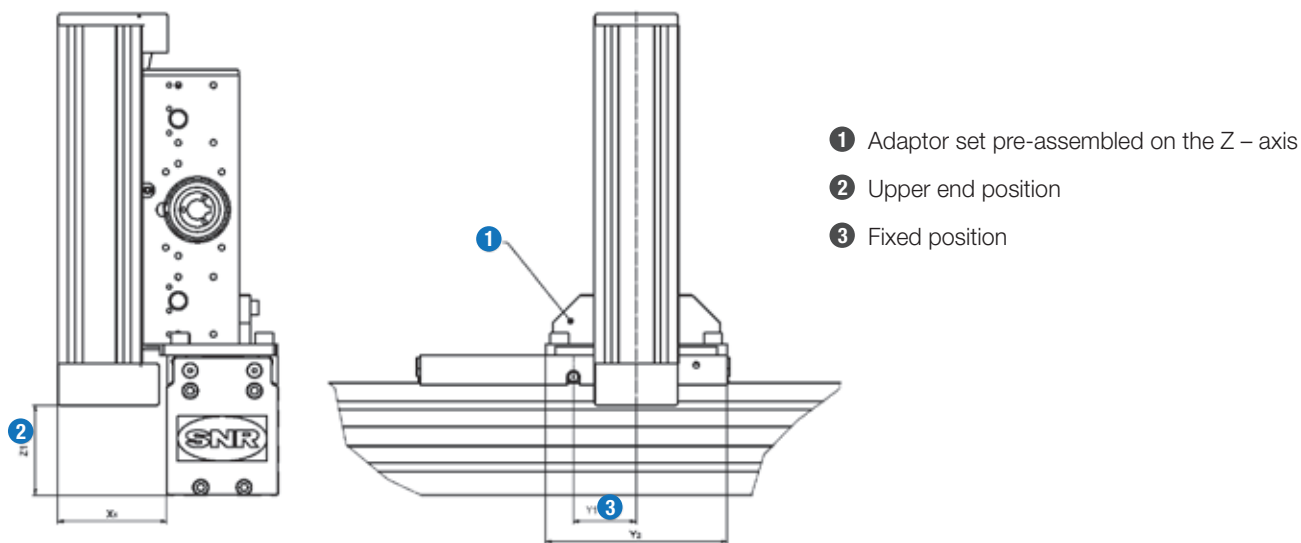


Figure 6.18 — A – Standard connection AXC / AXDL

Table 6.10 — A – Standard connection AXC / AXDL

X - Axis	Y - Axis	Designation	ID number	X1 [mm]	Y1 [mm]	Y2 [mm]	Z1 [mm]
AXC60	AXC40A	AX-AC-SCU-60-40	299881	61	0	120	60,0
AXC80	AXC60A	AX-AC-SCU-80-60	156300	78	45	130	64,0
AXC80A					20		114,0
AXC100_B AXC100_C AXC100_L	AXC80A	AX-AC-SCU-120-80	152388	102	0	150	62,5
AXC100_D				100			
AXC120				92	59	150	87,5
AXC120A					0 / 55		157,5
AXDL110	AXC40A	AX-AC-SCU-110-40	327403	61	0	132	43,0
	AXC60A	AX-AC-SCU-110-60	268606	90	0 / 18	130	29,0
AXDL160	AXC60A	AX-AC-SCU-160-60	458059	75	0	150	51,0
	AXC80A	AX-AC-SCU-160-80	190214	110	0	150	22,5
AXDL240	AXC120A	AX-AC-SCU-240-120	244721	140	0	200	20,0

## 6.1.8 Angle connection

Angle connections provides a variety of possibilities for the combination of Linear Axis of the AXDL series to 2 – axis – systems in X – Y or Y – Z arrangement (Figures 6.19 up to 6.22). Combinations of Linear Axis with the same size and with a different of one size are possible. The connecting elements are produced from aluminum sand cast (EN AC-AISI7Mg0,3 ST6). The angle connections contain all the essential connecting elements including screws.

The type codes and dimensions including ID number of the angle connections are shown in Figures 6.19 up to 6.22 and Tables 6.11 up to Table 22.

### X – Y – Axis – System, profile assembly

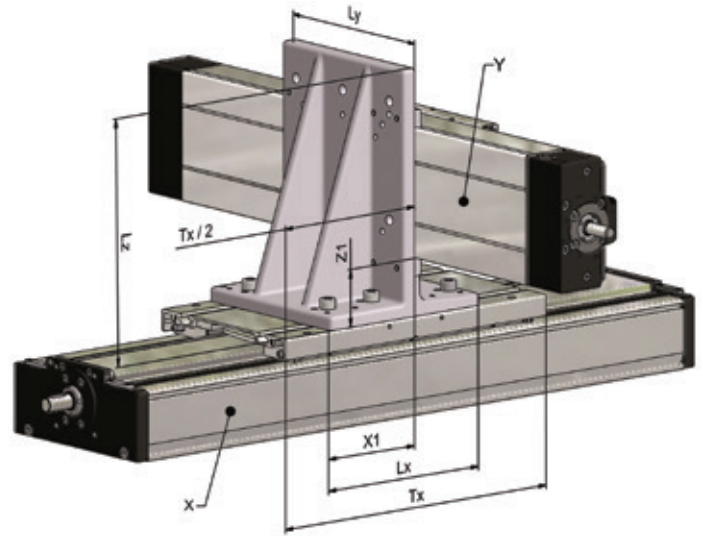


Figure 6.19 –  
Angle connection X – Y – Axis – System, profile assembly

Table 6.11 – Angle connection X – Y – Axis – System, profile assembly

X - Axis	Y - Axis	Designation	ID number	Lx [mm]	X1 [mm]	Ly [mm]	Z1 [mm]	Lz [mm]
AXDL110	AXDL110	AX-AC-ACU-X110-Y110	459876	160	90	156	49,0	209
AXDL160	AXDL110	AX-AC-ACU-X160-Y110P	286227	160	90	156	49,0	209
AXDL160	AXDL160	AX-AC-ACU-X160-Y160	306559	220	120	236	63,0	287
AXDL240	AXDL160	AX-AC-ACU-X240-Y160P	256449	220	120	236	63,0	287
AXDL240	AXDL240	AX-AC-ACU-X240-Y240	262988	220	120	236	49,0	287

### X – Y – Axis – System, tabletop assembly

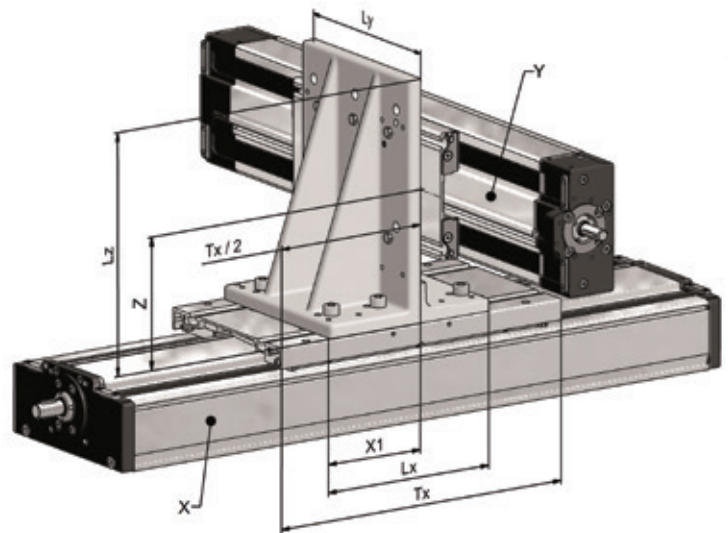


Figure 6.20 –  
Angle connection X – Y – Axis – System, tabletop assembly

Table 6.12 – Angle connection X – Y – Axis – System, tabletop assembly

X - Axis	Y - Axis	Designation	ID number	Lx [mm]	X1 [mm]	Ly [mm]	Z [mm]	Lz [mm]
AXDL110	AXDL110	AX-AC-ACU-110-110	382293	160	90	156	114,0	209
AXDL160	AXDL110	AX-AC-ACU-X160-Y110T	382295	160	90	156	114,0	209
AXDL160	AXDL160	AX-AC-ACU-160-160-2	306666	220	120	236	144,0	287
AXDL240	AXDL160	AX-AC-ACU-X240-Y160T	382295	220	120	236	144,0	287
AXDL240	AXDL240	AX-AC-ACU-240-240	270252	220	120	236	176,5	287

**Y – Z – Axis – System, profile assembly**

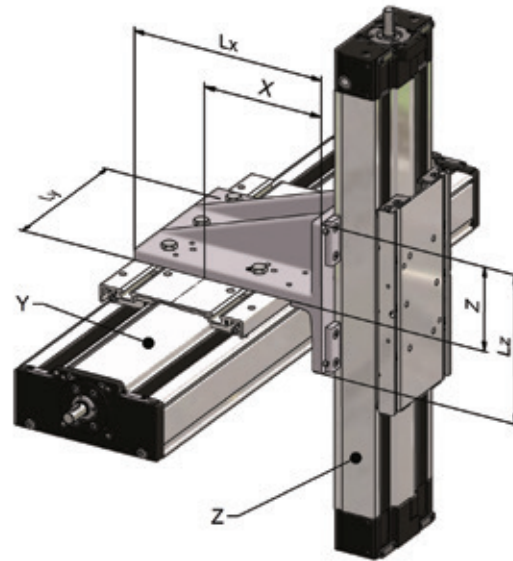


Figure 6.21 –  
Angle connection Y – Z – Axis – System, profile assembly

Table 6.13\_\_\_ Angle connection Y – Z – Axis – System, profile assembly

Y - Axis	Z - Axis	Designation	ID number	Lx [mm]	X [mm]	Ly [mm]	Lz [mm]	Z [mm]
AXDL110	AXDL110	AX-AC-ACU-Y110-Z110	363425	209	114	156	160,0	90
AXDL160	AXDL110	AX-AC-ACU-Y160-Z110P	269049	209	130	156	160,0	90
AXDL160	AXDL160	AX-AC-ACU-Y160-Z160	373108	287	144	236	220,0	120
AXDL240	AXDL160	AX-AC-ACU-Y240-Z160P	256449	287	177	236	220,0	120
AXDL240	AXDL240	AX-AC-ACU-Y240-Z240	382303	287	177	236	220,0	120

**Y – Z – Axis – System, table assembly**

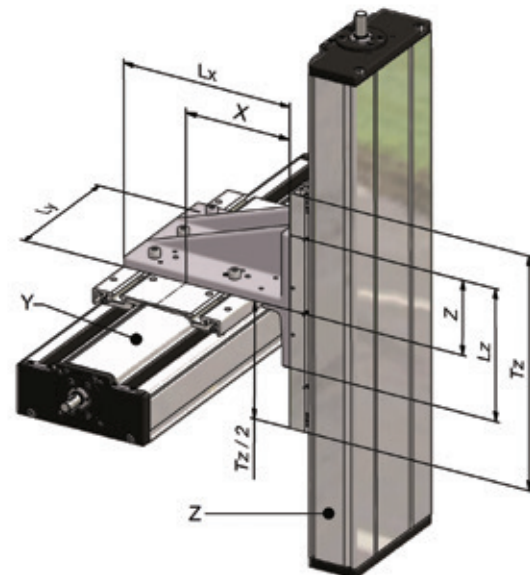


Figure 6.22 –  
Angle connection Y – Z – Axis – System, tabletop assembly

Table 6.14 – Angle connection Y – Z – Axis – System, tabletop assembly

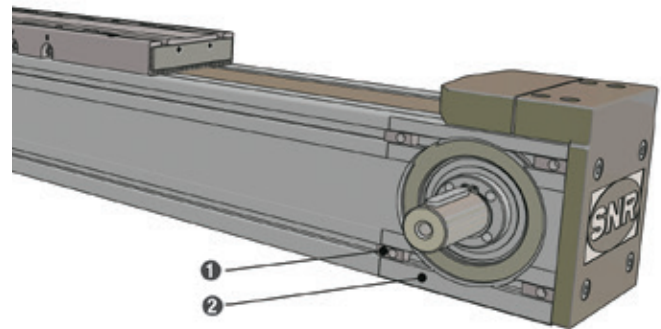
Y - Axis	Z - Axis	Designation	ID number	Lx [mm]	X [mm]	Ly [mm]	Lz [mm]	Z [mm]
AXDL110	AXDL110	AX-AC-ACU-110-110	382293	209	114	156	160,0	90
AXDL160	AXDL110	AX-AC-ACU-Y160-Z110T	267710	209	130	156	160,0	90
AXDL160	AXDL160	AX-AC-ACU-160-160-2	306666	287	144	236	220,0	120
AXDL240	AXDL160	AX-AC-ACU-Y240-Z160T	382306	287	177	236	220,0	120
AXDL240	AXDL240	AX-AC-ACU-240-240	270252	287	177	236	220,0	120

## 6.2 Drive options

### 6.2.1 Plug-in shaft

Plug-in shafts are common variants of the form-fitting drive adaption (Figure 6.23), which is available for Linear Axis of the AXC\_Z, AXC\_A, AXDL\_Z and AXDL\_A series.

For optimal alignment of the fastening elements for the drive, it is necessary to specify the mounting side for the machining of the profile. The delivery includes the corresponding sliding blocks for the drive fixing. The dimensions are shown in Figure 6.24 and Table 6.15. For applications with higher dynamics, we recommend force and form-fitting drive adaptations with integrated couplings as described in chapter 6.2.2 or 6.2.4.



- ❶ sliding block / Threaded hole
- ❷ machined mounting surface for the drive adaption

Figure 6.23\_\_ Plug-in shaft

The dimensions of the plug-in shafts are shown in Figure 6.24 and Table 6.15

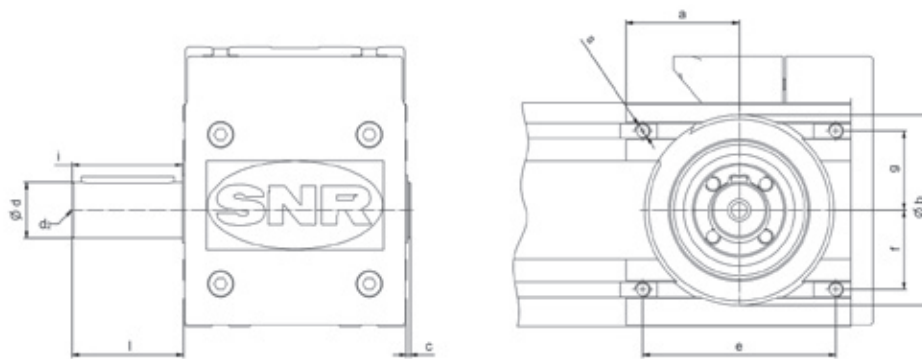


Figure 6.24 — Dimensions plug-in shaft and mounting dimensions

Table 6.15 — Dimensions plug-in shaft

Type	a [mm]	b [mm]	c <sup>1</sup> [mm]	d h6 [mm]	d2	e [mm]	f [mm]	g [mm]	i [mm]	l [mm]	s
AXC40Z AXC40A	23	26H7x1	1	10	M4x7	34,0	9,90	8,10	29,5	30	M3x5
AXC60Z AXC60A	34	47H7x1	1	14	M5x8	54,0	22,50	17,50	30,0	30	M5x6
AXC80Z AXC80A	42	68H7x2	2	20	M6x10	72,0	23,00	20,50	39,3	40	M5x9
AXC100Z	53	90H8x2		25	M10x17	85,0	42,50	42,50	53,5	50	M8x12
AXC120Z	61	102H8x2	2	30	M10x17	104,0	42,50	42,50	59,5	60	M8x12
AXC120A	61 ( $\varnothing 162$ ) <sup>2</sup>	102H8x2 (110H8x3,5) <sup>2</sup>	2	30	M10x17	104 (91,9) <sup>2</sup>	42,50 (45,95) <sup>2</sup>	42,50 (45,95) <sup>2</sup>	59,5	60	M8x12 (M8x13) <sup>2</sup>
AXDL110Z		60H8x19		16	M5x8	48,1	24,05	24,05	55,5	30	M5x10
AXDL160Z		75H8x41		25	M10x17	66,0	25,00	25,00	92,3	50	M6x15
AXDL160A		80H8x3		--	--	70,7	35,35	35,35	--	--	M6x12
AXDL240Z		90H8x53		30	M10x17	70,7	35,35	35,35	113,5	60	M6x18
AXDL240A		110H8x3,5		30	M10x17	91,9	45,95	45,95	113,5	60	M8x15,5

<sup>1</sup> - Not applicable for drive adaption WD

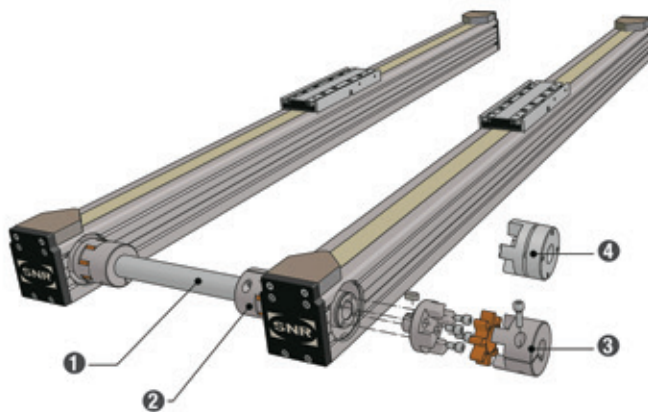
<sup>2</sup> - Dimension of the machined surface from the opposite side



## 6.2.2 Couplings and connecting shafts

Parallel arranged Linear Axis can be linked via a connecting shaft (Figure 6.25). The necessary drive torque is distributed evenly across all axis. As connecting shafts galvanized hollow shafts are used. The use of couplings with clamping hub on the connecting shaft allows precise adjustment of the Linear Axis. In addition a later installation and removal assembly is possible with Linear Axis of the AXC series. A complete axis connection consists of a coupling kit (Table 6.16) and the connecting shaft with flexible selectable length.

For the adaption of drives are couplings with clamping hub for drives with feather key shaft and couplings with clamping ring hub for drives with smooth shaft available.



- 1 Connecting shaft
- 2 Coupling with half-shell clamping hub
- 3 Coupling with clamping hub for drives with feather key shaft
- 4 Coupling with clamping ring hub for drives with smooth shaft

Figure 6.25 — Arrangement couplings and connecting shaft

The dimensions of the couplings and connecting shafts are shown in Figure 6.26 and Table 6.16.

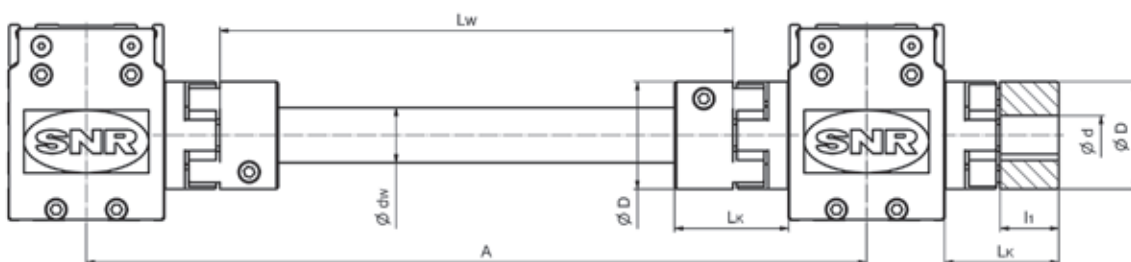


Figure 6.26 — Dimensions couplings and connecting shaft

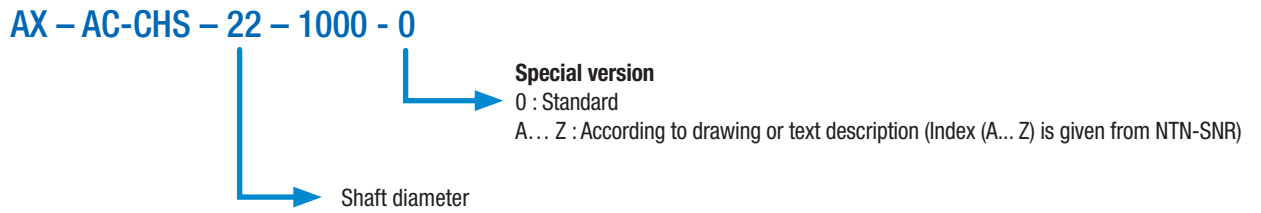
Table 6.16 — Dimensions connecting shaft

Type	D	LK	l <sup>1</sup>	Clamping hub			Tension ring hub			Connecting shaft						
				d <sub>min.</sub>	d <sub>max.</sub>	TA <sup>2</sup>	d <sub>min.</sub>	d <sub>max.</sub>	TA <sup>2</sup>	Type code	ID number	dw	(wall thickness)	Lw	A <sub>min.</sub> <sup>1</sup>	TA <sup>2</sup>
		[mm]	[mm]	[mm]	[mm]	[Nm]	[mm]	[mm]	[Nm]	Coupling kit		[mm]	[mm]	[mm]	[mm]	[Nm]
AXC40_K	30	31,0 38,0	11,0 19,0	8	16	1,34	10	14	1,34	AX-AC-40Z-COU-CHS-14	156301	14	2,0	A - 79	125	1,34
AXC60_K	40	50,0	25,0	12	24	10,0	10	20	3,00	AX-AC-60Z-COU-CHS-22	292876	22	2,0	A - 125	160	6,00
AXC80_K	55	59,0	30,0	12	25	10,0	15	28	6,00	AX-AC-80Z-COU-CHS-28	239998	28	2,5	A - 153	198	10,0
AXC100_K-B AXC100_K-C AXC100_K-L	65	61,0	35,0	20	38	25,0	18,0	38,0	6,00	AX-AC-100Z-COU-CHS-38	156303	38	4,0	A - 172	222	25,0
AXC100_K-D		59,0												A - 166	216	
AXC100_P_K-B AXC100_P_K-C AXC100_P_K-L		55,0												A - 200	250	
AXC120_K AXC120_P_K	65	65,0 25,0	35,0	20	38	25,0	18	38	6,00	AX-AC-120Z-COU-CHS-38	156303	38	4,0	A - 160	210	
AXDL110	55	32,5	30,0	12	25	10,0	15	28	6,00	not applicable						
AXDL160	65	22,5	35,0	20	38	25,0	18	38	6,00	not applicable						
AXDL240	65	10,0	35,0	20	38	25,0	18	38	6,00	not applicable						

<sup>1</sup> - Minimum dimension, which allows the removal assembly without disassembly of the Linear Axis

<sup>2</sup> - Tightening torque

Example type code of a connecting shaft:



In application with high velocity and great length of the connecting shaft, the critical speed is taken into account. The diagram in Figure 6.28 shows the maximum speed depending on the center distance of the Linear Axis. The basis of the limits here are 50% of the critical speed. If there are higher requirements, please contact our NTN-SNR - application engineers.

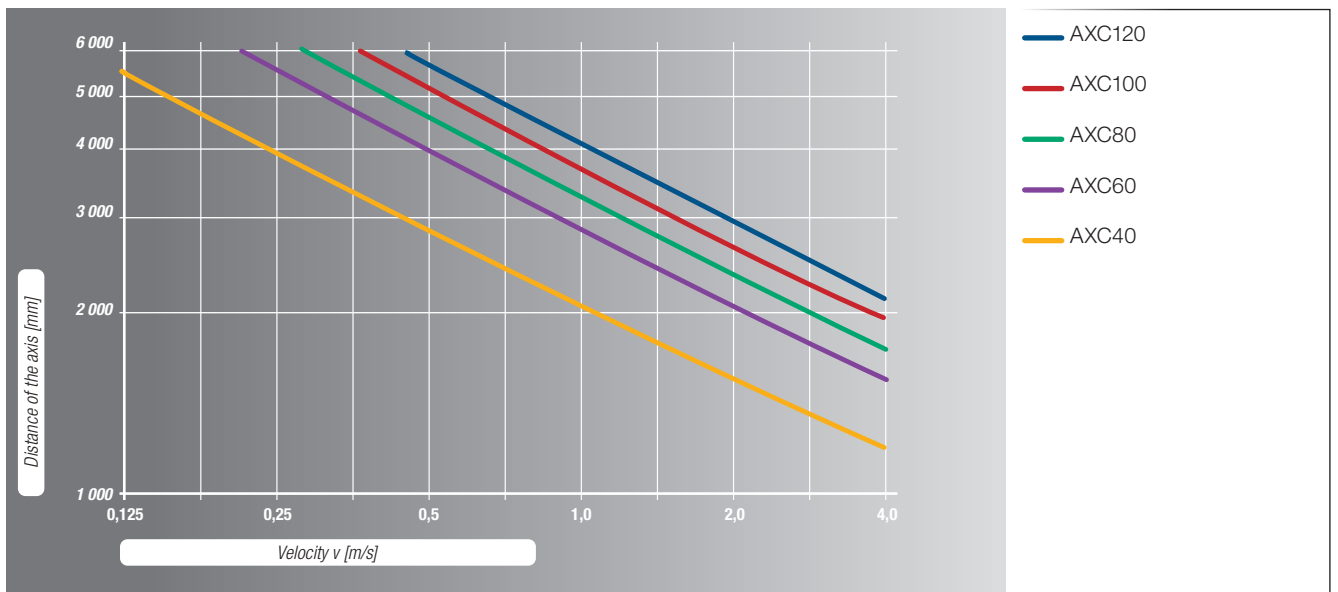


Figure 6.27 — Dynamic limits for connecting shafts

## 6.2.3 Gearboxes

Table 6.17 — Code numbers of the motor adaption

Code number	C	D	E	F	G	B	H	I	J	K	L	M	N	O	P	Q	R	S	T	U	V	W	Y
Centering b [mm]	40	50	50	60	60	60	60	70	80	80	95	95	95	95	110	110	110	110	110	110	130	130	130
Pitch circle e [mm]	63	70	95	75	75	90	90	90	100	100	115	115	130	130	130	130	145	145	165	165	165	165	165
Thread	M4	M4	M6	M5	M5	M5	M5	M5	M6	M6	M8	M8	M8	M8	M8	M8	M8	M8	M10	M10	M10	M10	M10
Shaft diameter d [mm]	9	14	14	11	14	11	14	14	14	19	19	24	19	24	19	24	19	24	19	24	24	32	32

Code number X: Special dimensions

Table 6.18 contains technical data and dimensions (Figure 6.28) of the gearbox versions.

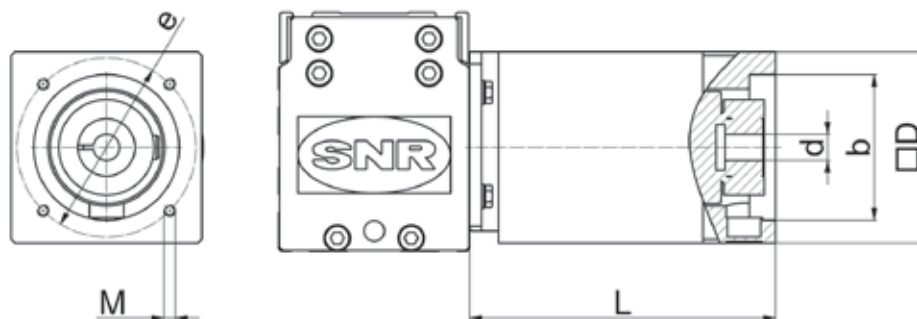


Figure 6.28 — Dimensions AXC with plug-in planetary gearbox version ZS.

### 6.2.3.1 Version ZS – Plug-in planetary gearbox

The version ZS represent the simplest versions of the mounting of a planetary gearbox at NTN-SNR Linear Axis with toothed belt drive of the series AXC. Here, the gearbox shaft with feather key is form-fitted inserted positively into the hollow shaft of the drive pulley. This version is suitable for applications with low dynamics and low alternating loads such as for vertical applications. By the direct mounting account coupling cone, plug-in shaft and coupling, thus resulting in extremely compact dimensions and in addition in a reduction of the moment of inertia and thus in a reduction of the drive torque.

Table 6.17 contains the code numbers for the type code and the dimensions of the adaptations of the planetary gearboxes.

Table 6.18 — Technical data for plug-in planetary gearbox version ZS

Type	Gear ratio i	Gearbox version	Nominal torque at the drive [Nm]	Maximum acceleration moment [Nm] <sup>1</sup>	Permissible input speed [min <sup>-1</sup> ]	Maximum input speed [min <sup>-1</sup> ]	Backlash [arcmin]	Mass [kg]	Maximum diameter of the drive shaft [mm]	Mass moment of inertia [kgcm <sup>2</sup> at d]	Maximum length L <sup>2</sup> [mm] at d	Flange dimension D [mm]	
AXC40	4	1 - stufig	5,6	11	3800	9000	≤ 15	0,5	11	0,04	64	min. 40	
	5		7,0	14									4300
	7			14									
	10			13									
	16	2 - stufig	5,6	11	3800	≤ 18	0,7	0,04	0,04	79			
	20												
	28		7,0	14	4300								
	40												
	70												
100	13												
AXC60	3	1 - stufig	18	35	3300	4000	≤ 15	1,4	14	0,11	85,5	min. 60	
	4		25	40	3500	5000				0,08			
	5									0,07			
	7									0,06			
	10	18	35	4000	6000	0,05							
	16	2 - stufig	30	45	3500	5000	≤ 15	1,8	14	0,08	102		
	20									0,07			
	28				4000	6000				0,06			
	40									0,05			
	70									0,05			
100	18	35	0,05										
AXC80	3	1 - stufig	37	80	2900	3500	≤ 15	2,9	19	0,66	129,5	min. 80	
	4		50		40	3100				4500			0,53
	5												0,48
	7												0,43
	10	40	3600	6000	0,40								
	16	2 - stufig	50	95	3100	4500	≤ 15	3,7	19	0,98	154		
	20					6000				1,1			
	28				1,2								
	40				1,4								
	70				0,7								
100	40	80	3600	0,5									
AXC100 AXC120	3	1 - stufig	90	175	2300	5500	≤ 15	7,5	24	2,6	147 139	min. 120	
	4			255						1,9			
	5			250	1,7								
	7				1,5								
	10	220	2800	1,4									
	16	2 - stufig	90	255	2300	≤ 15	9,6	24	2,3	179,5 171,5			
	20								2,3				
	28				2800				2,4				
	40								2,6				
	70								1,9				
100	220	2800	1,7										

<sup>1</sup> - Consider permissible dynamic operating load of the axis

<sup>2</sup> - Length L depends on the length of the drive shaft

### 6.2.3.2 Version ZE and ZP - Integrated planetary gearbox

NTN-SNR Linear Axis of the series AXC, AXF (Figure 6.29), AXDL (Figure 6.30) and AXS280Y could be equipped with an integrated planetary gearbox. By the direct mounting account coupling cone, plug-in shaft and coupling, thus resulting in extremely compact dimensions. The use of integrated planetary gearboxes results in addition in a reuction of the moment of inertia and thus in a reduction of the drive torque.

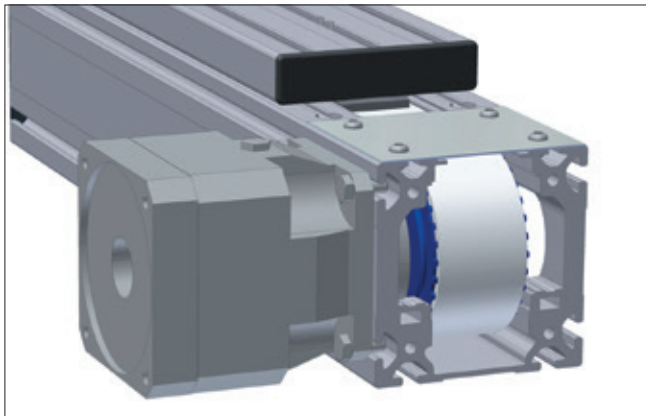


Figure 6.29 — AXC with integrated planetary gearbox

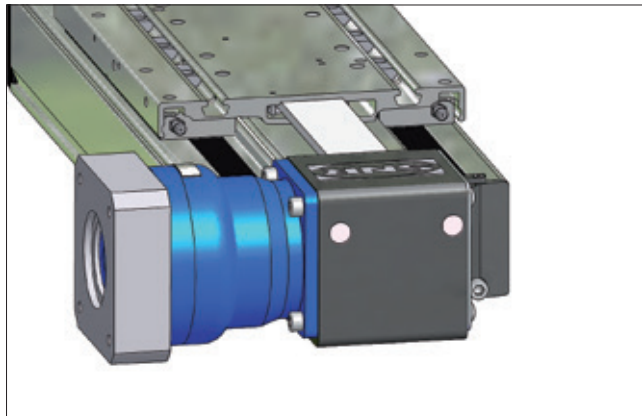


Figure 6.30 — AXDL with integrated planetary gearbox

Depending on series and size different versions of integrated planetary gearboxes are available.

#### Version ZE

In the version ZE drive pulley is force-fitted mounted by clamping ring hub on the smooth motor shaft, which ensures a backlash-free torque transmission. In use are spur-toothed planetary gearboxes with low backlash. This version represents a cost effective solution, which is particularly suitable for applications with high demands on the dynamics. It is to be taken into account that the noise emission of these gearbox versions is approx. 6 dB higher than the ZP version.

#### Version ZP

The version ZP has an identical configuration to the version ZE. In use here are planetary gearbox with helical gearing and reduced backlash. This variant is particularly suitable for applications with highest demands on noise emissions, dynamics, drive torque and precision.

Table 6.17 in Chapter 6.2.3.1 contains the code numbers for the type code and the dimensions of the adaptations of the planetary gearboxes.

Tables 6.19 and 6.20 contain technical datas and dimensions (Figure 6.31 and 6.32) of the gearbox versions.

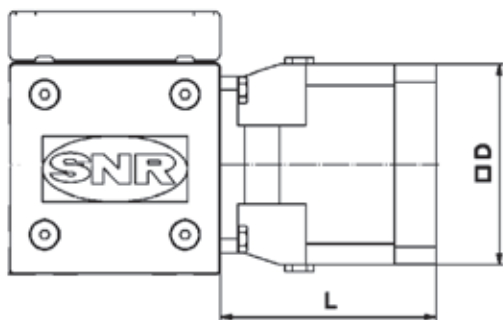


Figure 6.31 — Dimensions AXC with integrated planetary gearbox version ZP and ZE

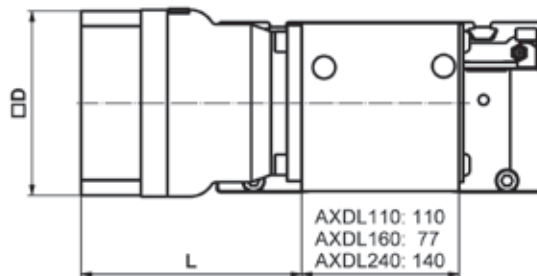


Figure 6.32 — Dimensions AXDL with integrated planetary gearbox version ZP and ZE

Table 6.19 — Technical data integrated planetary gearbox version ZE

Type	Gear ratio i	Gearbox version	Nominal torque at the drive [Nm]	Maximum acceleration moment [Nm] <sup>1</sup>	Permissible input speed [min <sup>-1</sup> ]	Maximum input speed [min <sup>-1</sup> ]	Backlash [arcmin]	Mass [kg]	Maximum diameter of the drive shaft <sup>2</sup> [mm]	Mass moment of inertia <sup>3</sup> [kgcm <sup>2</sup> ] at d	Length L <sup>2,3</sup> [mm] at d	Flange dimension <sup>3</sup> D [mm]					
AXC60	4	single-stage	15	28	3 500	5 000	≤ 10	0,8 ... 1,0	9 14	0,03...0,08	82,0 80,0	min. 55 min. 60					
	5																
	6																
	7																
	9	two-stage	20	30	3 300	4 000			9 14								
	12																
	15																
	16																
	20																
	25																
	28																
	35																
36	two-stage	15	28	4 000	6 000												
45																	
20																	
30																	
81	two-stage	12	22	4 000	6 000												
17																	
19																	
21																	
AXDL110	3	single-stage	21	27	2 900	7 000	≤ 8	1,8...3,0	14 19	0,13...0,55	89,1 97,1	min. 70 min. 90					
	4																
	5																
	7																
	8	two-stage	19		21	3 600			10 000		≤ 10		1,9...2,9	11 14	0,02...0,14	97,4 104,5	min. 50 min. 70
	10																
	16																
	20																
	25																
	35																
50	two-stage	19	21	4300	10 000	≤ 10	1,9...2,9	11 14	0,02...0,14	97,4 104,5	min. 50 min. 70						
70																	
100																	
100																	
AXC80 AXDL160	3	single-stage	53	66	2 700	7 000	≤ 8	2,7...5,9	19 24	0,2...0,57	123,15 131,15	min. 70 min. 90					
	4																
	5																
	7																
	8	two-stage	51		53	2 900			7 000		≤ 10		3,4...5,9	14 19	0,87...8,3	124,6 134,6	min. 120 min. 150
	10																
	16																
	20																
	25																
	32																
40	two-stage	51	53	4 000	7 000	≤ 10	3,4...5,9	14 19	0,87...8,3	124,6 134,6	min. 120 min. 150						
64																	
64																	
64																	
AXC100 AXF100	3	single-stage	133	185	2 000	6 000	≤ 8	8,4...14,3	28 38	0,87...8,3	124,6 134,6	min. 120 min. 150					
	4																
	5																
	7																
	8	two-stage	136		133	2 500			7 000		≤ 10		8,8...13,9	19 28	0,29...2,1	139,1 151,1	min. 90 min. 120
	10																
	16																
	20																
	25																
	32																
40	two-stage	136	133	3 600	7 000	≤ 10	8,8...13,9	19 28	0,29...2,1	139,1 151,1	min. 90 min. 120						
64																	
64																	
64																	
AXC120	3	single-stage	115	184	2 150	2 400	≤ 7	6,8	24 35	1,39...2,49	121,5 137,0	min. 115					
	4																
	5																
	7																
	8																
	10																
	16	two-stage	260		416	3 500			6 500		≤ 9		8,8	24	1,38...2,33	149	min 115
	20																
	25																
	32																
40	two-stage	230	368	3 500	6 500	≤ 9	8,8	24	1,38...2,33	149	min 115						
260																	
416																	
368																	

<sup>1</sup> - Consider permissible dynamic operating load of the axis

<sup>2</sup> - Length L depends on the length of the drive shaft

<sup>3</sup> - Values depending on the version of the clamping hub, smaller diameters with distance tube

Table 6.20 — Technical data integrated planetary gearbox version ZP

Type	Gear ratio i	Gearbox version	Nominal torque at the drive [Nm]	Maximum acceleration moment [Nm] <sup>1</sup>	Permissible input speed [min <sup>-1</sup> ]	Maximum input speed [min <sup>-1</sup> ]	Backlash [arcmin]	Mass [kg]	Diameter of the drive shaft <sup>3</sup> [mm]	Mass moment of inertia <sup>3</sup> [kgcm <sup>2</sup> ] at d	Length L <sup>2,3,4</sup> [mm] at d	Flange dimension <sup>3</sup> D [mm]	
AXC60	4	single-stage	20,0	30,0	4 500	6 000	≤ 4	1,10	9 / 11 / 14	0,0835 / 0,0829 / 0,151	83,5 / 83,5 / 91,0	min. 60,5 / min 70 / min. 70	
	5		15,0	22,5						0,0608 / 0,0602 / 0,132			
	10									0,0380 / 0,0374 / 0,110			
AXDL110	3	single-stage	17,0	30,0	3 300	6 000	≤ 4	1,90	9 / 11 / 14	0,21 / 0,28 / 0,61	89,6 / 94,0 / 106,0	min. 70 / min. 70 / min. 90	
	4									0,15 / 0,22 / 0,55			
	5		26,0	42,0									0,12 / 0,20 / 0,52
	7									0,10 / 0,18 / 0,50			
	10			17,0	32,0	4 000			0,09 / 0,17 / 0,49				
	16	two-stage	26,0	42,0	4 400	6 000	≤ 6	2,00	11 / 14	0,077 / 0,170	108,0 / 116,0	min. 60 / min. 70	
	20									0,069 / 0,160			
	25									0,068 / 0,160			
	28									0,061 / 0,160			
	35												
	40									0,057 / 0,150			
	50												
	100									0,056 / 0,150			
AXC80 AXDL160	3	single-stage	47,0	85,0	2 900	6 000	≤ 4	3,90	14 / 19 / 24	0,86 / 1,03 / 2,40	107,8 / 111,5 / 129,5	min. 90 / min. 90 / min. 120	
	4									0,61 / 0,78 / 2,15			
	5		75,0	110,0									0,51 / 0,68 / 2,05
	7									0,42 / 0,59 / 1,96			
	10			52,0	95,0	3 100			0,38 / 0,54 / 1,91				
	16	two-stage	75,0	110,0	3 500	6 000	≤ 6	3,60	11 / 14 / 19	0,16 / 0,23 / 0,55	119,0 / 123,4 / 136,0	min. 70 / min. 70 / min. 90	
	20									0,13 / 0,20 / 0,53			
	25									0,13 / 0,20 / 0,52			
	28									0,10 / 0,18 / 0,50			
	35									0,091 / 0,17 / 0,49			
40	0,090 / 0,16 / 0,49												
50													
70													
100	0,089 / 0,16 / 0,49												
AXC100 AXF100 AXC120 AXDL240 AXS200Y AXS280Y AXS280Z	3	single-stage	120,0	235,0	2 500	4 500	≤ 3	7,70	19 / 24 / 28 / 38	3,29 / 3,99 / 3,59 / 11,10	122,0 / 129,0 / 129,0 / 156,0	min. 120 / min. 120 / min 120 / min 150	
	4		180,0							2,35 / 3,04 / 2,65 / 10,10			
	5		175,0	315,0									1,92 / 2,61 / 2,22 / 9,68
	7		170,0							1,60 / 2,29 / 1,90 / 9,36			
	10			120,0	235,0	2 800			1,38 / 2,07 / 1,68 / 9,14				
	16	two-stage	180,0	315,0	3 100	6 000	≤ 5	7,90	14 / 19 / 24 / 28	0,64 / 0,81 / 2,18 / 1,98	142,0 / 146,0 / 164,0 / 164,0	min. 90 / min. 90 / min. 120 / min. 120	
	20									0,54 / 0,70 / 2,07 / 1,90			
	25									0,52 / 0,69 / 2,05 / 1,88			
	28									0,43 / 0,60 / 1,97 / 1,81			
	35									0,43 / 0,59 / 1,96 / 1,80			
	40									0,38 / 0,55 / 1,92 / 1,76			
	50									0,38 / 0,54 / 1,91 / 1,75			
	70												
100	0,37 / 0,54 / 1,91 / 1,75												

<sup>1</sup> - Consider permissible dynamic operating load of the axis

<sup>2</sup> - Length L depends on the length of the drive shaft

<sup>3</sup> - Values depending on the version of the clamping hub, smaller diameters with distance tube

### 6.2.3.3 Mounted gearboxes

Linear Axis of the AXS series are normally delivered with mounted gearboxes. For Linear Axis with rack and pinion drive and telescopic axis is the pinion directly mounted on the gearbox shaft and exactly aligned to the rack during assembly.

The Linear Axis AXS280Y is produced with integrated planetary gearbox in the version ZP. The data of these version are described in chapter 6.2.3.

In the Linear Axis AXS280Z the gearbox is mounted by a coupling. The specifications of this are described in chapter 6.2.4.

Depending on the type different gearbox types (Table 6.21) can be used with a variety of gear ratios. The gearbox is configured for the respective application. For more information please contact our NTN-SNR application engineers.

Table 6.21 — Gearboxes for Linear Axis AXS with rack and pinion drive and telescopic axis

Type	Axis version	Gearbox version	Gear ratio i
AXS110TA	Telescopic Axis	Planetary gearbox	3...100
AXS120M_	Beam Axis	Planetary gearbox	3...100
AXS120TH	Telescopic Axis	Bevel gearbox	3...10
AXS120TV	Telescopic Axis	Bevel gearbox	3,19...54,89
AXS200ME	Lifting axis	Spur gearbox	3,83...176,88
AXS200MP	Gantry Axis	Planetary gearbox	3...100
AXS200TH	Telescopic Axis	Planetary gearbox	3...100
AXS200TV	Telescopic Axis	Bevel gearbox	5,20...144,79
AXS230MB	Lifting axis	Bevel gearbox	5,20...144,79
AXS240TH	Telescopic Axis	Bevel gearbox	4,64...131,87
AXS280MB	Lifting axis	Bevel gearbox	7,24...192,18
AXS280P	Gantry Axis	Planetary gearbox	3...100
AXS280TH	Telescopic Axis	Planetary gearbox	3...100
AXS280TV	Telescopic Axis	Bevel gearbox	5,20...144,79
AXS300P	Beam Axis	Planetary gearbox	3...100
AXS460P	Gantry Axis	Planetary gearbox	3...100
AXS500P	Gantry Axis	Planetary gearbox	3...100

## 6.2.4 Adapters / Coupling cones

### 6.2.4.1 Linear Axis toothed belt drive

The simplest way to connect a gearbox or drive with the Linear Axis is the direct insertion of the drive shaft into the hollow shaft of the drive pulley. The drive is screwed via a flat adapter plate with the Linear Axis. The power transmission is form-fitted by a feather key. The only prerequisite is that the diameter of the drive shaft corresponding to the respective hollow shaft diameter of the Linear Axis. In Table 6.22 the code numbers and dimensions for each Linear Axis are summarized and in the dimensions are shown in Figure 6.33.

Table 6.22 — Code numbers and dimensions for form-fitted drive adaptations

Type	Code number	Design type	e2 [mm]	a [°]	s1	b2 [mm]	d [mm]	i2 <sub>max.</sub> [mm]	i2 <sub>max.-l</sub> [mm]	k2 [mm]	a2 [mm]	L2 [mm]
AXC40ZF	A	VC065-E0 <sup>1</sup>	54	0	4 x Ø 6,5	44	12	-	20,0	-	64,5	20,5
AXC40AF	C	B14 C40	34	45	4 x Ø 4,3	26	10	31	4,0	-	-	3,1
AXC60ZF	A	B14 C60	52	45	4 x Ø 5,5	40	14	47	5,0	60	-	5,0
AXC60AF	B	VC065-E01	54	0	4 x Ø 6,5	44	12	-	18,0	70	80	18,0
	C	B5 C120	100	45	4 x M6 x 8	80	14	50	8,0	100	120	8,0
AXC80ZF	A	B14 C80	70	45	4 x Ø 6,5	60	20	71	12,0	82	-	12,0
AXC80AF	E	B5 C120	100	45	4 x M6 x 12	80	20	72	12,5	-	120	12,5
AXC100Z	A	B5 C120	100	45	4 x M6 x 12	80	25	82	17,0	103	120	12,0
	B	B14 C120	100	45	4 x Ø 6,5	80	25	82	17,0	100	115	12,0
	C	B5 C160	130	45	4 x M8 x 12	110	25	82	17,0	115	145	12,0
AXF100ZF	A	B5 C120	100	45	4 x M6 x 12	80	25	82	17,0	103	120	12,0
AXC120ZF	A	B5 C120	100	45	4 x M6 x 12	80	30	107	13,0	120	-	13,0
AXC120AF	C	B5 C200	165	45	4 x M10 x 20	130	30	119	25,0	-	200	25,0
	F	B5 C115	100	45	4 x Ø 11	80	25	113	7,0	120	-	9,0

<sup>1</sup> - Design type E0 contains the delivery of a special plug-in shaft with Ød

X: Code number for special adapters



A universal version is an adaptation via integrated coupling in combination with a coupling cone. Here, the coupling half on the axis side is screwed to the drive pulley and offers by the force-fitted torque transmission even under high dynamic optimal reliability. For usual market drives with a standard B5 flange is a wide range of coupling cones available. Clamping hubs with groove are used as standard for driving shafts with feather key. Also available as a special design are clamping ring hubs for smooth shafts. In Table 6.23 the code numbers and dimensions for each Linear Axis are summarized and in the dimensions are shown in Figure 6.34.

Table 6.23 — Code numbers and dimensions for force-fitted drive adaptations via coupling and couplig cone

Type	Code number	Design type	e2 [mm]	a [°]	s1	b2 [mm]	d <sub>min.</sub> [mm]	d <sub>max.</sub> [mm]	i2 <sub>max.</sub> [mm]	i2 <sub>max.-l</sub> [mm]	k2 [mm]	a2 [mm]	L2 [mm]	LK <sup>1</sup> [mm]
AXC40ZG AXC40AG	A	B5 TK63	63	45	4 x M4 x 8	40	6	10	23,0	7,0	54,0	72	37,0	31,0 / 38,0 <sup>2</sup>
AXC60ZG AXC60AG	A	LP070	62	0	4 x Ø 5,5	52	16	16	36,0	8,0	70	80	58,0	50,0
	E	B5 C120	100	45	4 x M6 x 12	80	19	20	40,0	15,0	96	120	65,0	
	I	B14 C60	52	45	4 x Ø 5,5	40	14	14	38,0	6,5	64	80	56,5	
AXC80ZG AXC80AG	A	B5 C160	130	45	4 x M8 x 16	110	19	25	52,0	15,0	120	150	74,0	59,0
	B	B5 C120	100	45	4 x M6 x 12	80	19	25	50,0	12,0	90	110	71,0	
	C	B5 C120	100	45	4 x M6 x 15	80	14	20	41,0	4,0	83	110	62,0	
	D	LP070	62	0	4 x Ø 5,5	52	16	16	36,0	8,0	82	100	66,0	
	E	LP090	80	0	4 x Ø 6,5	68	22	25	52,0	22,0	80	90	81,0	
	F	B14 C80	70	45	4 x Ø 6,5	60	19	20	40,0	11,0	80	110	70,0	
AXC100ZG	A	B5 C120	100	45	4 x M6 x 15	80	19	20	47,0	4,0	100	112	65,0	61,0
	B	B14 C120	100	45	4 x Ø 10,5 x 14	80	24	25	58,0	15,0	100	116	76,0	
	C	B5 C160	130	45	4 x M8 x 20	110	19	30	60,0	17,0	115	145	78,0	
AXC100ZG -D AXF100ZG AXS200Y AXS280Y	A	B5/B14 C120	100	45	4 x Ø 10,5 x 10	80	19	25	58,0	15,0	90	116	76,0	59,0
	B	B5 C160	130	45	4 x M8 x 15	110	19	30	60,0	17,0	120	160	78,0	
	C	LP090	80	0	4 x Ø 6,6	68	20	25	53,0	10,0	100	135	71,0	
AXC120ZG AXC120AG AXDL240AG	A	B5 C120	100	45	4 x M6 x 18	80	19	25	50,0	7,0	120	150	72,0	65,0
	B	B5 C160	130	45	4 x M8 x 18	110	24	30	60,0	18,0	--	160	83,0	
	C	B5 C200	165	45	4 x M10 x 20	130	25	35	61,0	26,0	--	200	91,0	
AXDL110Z	A	B5 C120	100	45	4 x M6 x 10	80	14	20	47,5	10,0	82	110	42,5	32,5
	C	LP070	62	0	4 x Ø 5,5	52	14	20	45,5	8,0	80	110	40,5	
	E	CP060	52	45	4 x Ø 5,5	40	14	20	45,5	8,0	80	110	40,5	
	F	B14 C80	70	45	4 x Ø 6,6	60	20	25	59,5	22,0	82	110	54,5	
AXDL160Z	A	B5 C120	100	45	4 x M6 x 15	80	14	20	43,0	0,0	86	120	22,5	22,5
	B	LP070	62	0	4 x Ø 5,5	52	14	25	51,5	8,5	78	106	31,0	
	C	LP090	80	0	4 x Ø 6,6	68	14	25	54,0	11,0	100	135	33,5	
	D	B14 C80	70	45	4 x Ø 6,6	60	14	20	49,0	6,0	86	120	28,5	
	E	B5 C160	130	45	4 x M8 x 18	110	19	30	60,0	17,0	120	150	39,5	
AXDL160A	A	B5 C120	100	45	4 x M6 x 10	80	14	25	50,0	7,5	100	115	74,5	67,0
	C	LP090	80	0	4 x Ø 6,6	68	20	25	54,0	11,0	100	130	78,0	
AXDL240Z	A	B5 C120	100	45	4 x M6 x 29	80	14	20	43,0	1,0	96	120	11,0	10,0
	B	B5 C120	100	45	4 x M6 <sup>3</sup>	80	25	25	53,0	11,0	96	120	21,0	
	E	B5 C160	130	45	4 x M8 x 18	110	25	30	62,0	20,0	115	150	30,0	
AXS280Z	A	P	120	45	4 x M8 x 15	90	32	32	88	52,0			48	-4,0
	B	B5 C160	130	45	4 x M8 x 10	110	25	30	62	14,0			10	1,0
	C	LP120	108	0	4 x Ø 9 x 16	90	32	32	77	24,0			25	--4,0

<sup>1</sup> - Graphic account of the dimension in Chapter 3.7.1 Figure 3.11

<sup>2</sup> - Clamping hub / Tension ring hub

<sup>3</sup> - Stud bolt

X: Code number for special adapters

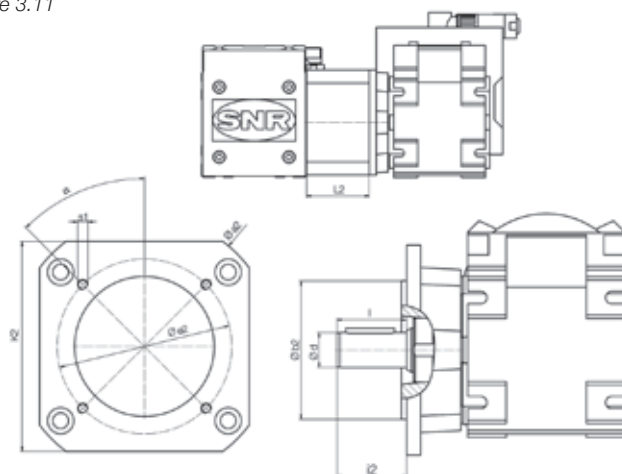


Figure 6.33 — Dimensions drive adaptations

### 6.2.4.2 Linear Axis with screw drive, coupling and coupling cone

For Linear Axis with screw drive, the drive is normally connected via a coupling and coupling cone with the Linear Axis (Figure 6.34).

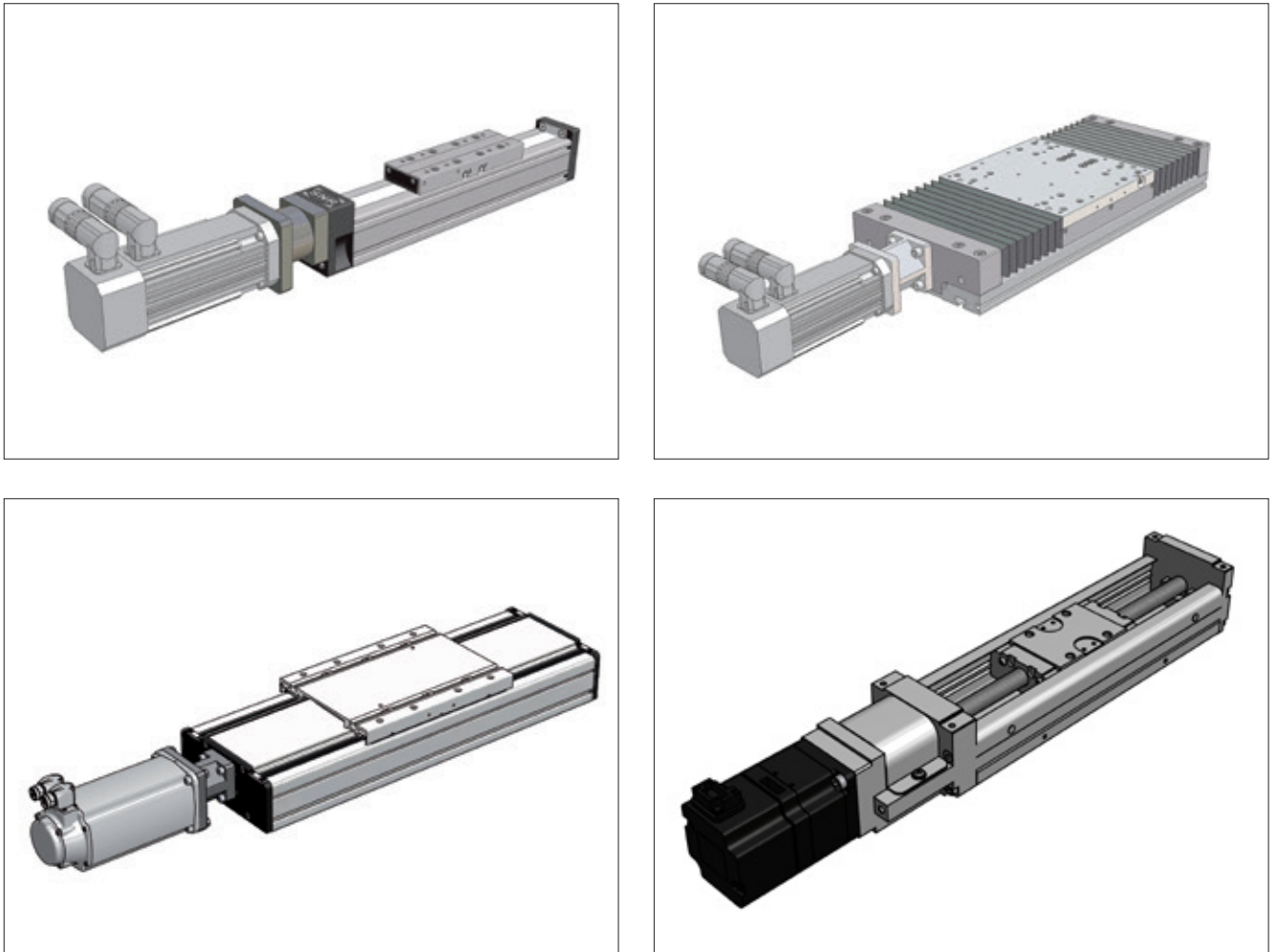


Figure 6.34 — Drive adaption via coupling and coupling cone with screw drive axis

Power is transmitted via pluggable elastomer coupling. It is possible to use drives with smooth shaft (force-fitted connection) as well as drives with shafts with feather key (force- and form-fitted connection).

Table 6.24 contains the limit sizes for the drives of the respective axis of the series AXC, AXF, AXDL and AXLT which are characterized in Figure 6.35. The code numbers of the each possible coupling cone are summarized in Table 6.25.

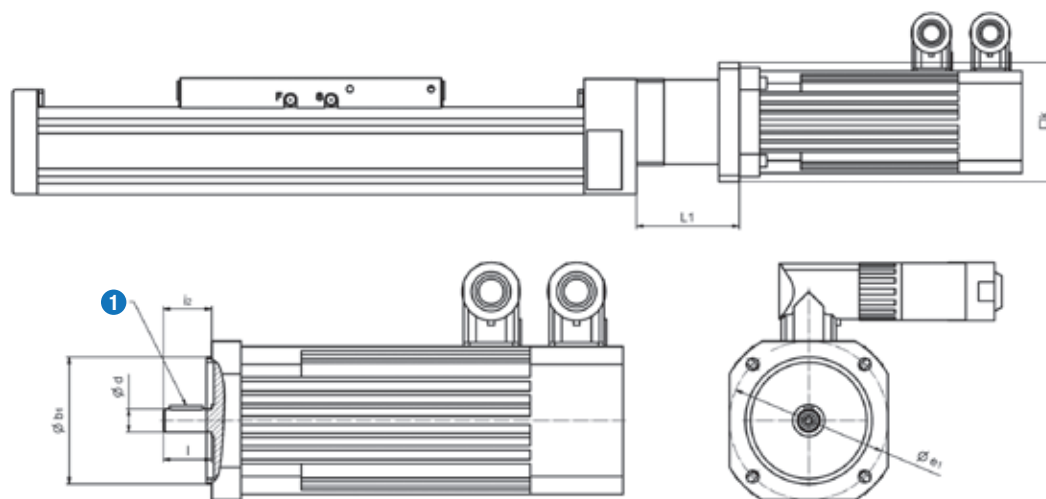
Table 6.24 — EN Code numbers of the drive adaption for AX\_S\_G and AX\_S\_U

Type	Design type	e1 <sub>min.</sub> [mm]	e1 <sub>max.</sub> [mm]	b1 <sub>min.</sub> [mm]	b1 <sub>max.</sub> [mm]	d <sub>min.</sub> [mm]	d <sub>max.</sub> [mm]	i2 <sub>max.</sub> [mm]	i2 <sub>max.</sub> <sup>1,3</sup> [mm]	k [mm]	L1 [mm]	Maximum drive torque [Nm]
AXC40S/T	B5 / B14	45	63	35 <sup>1</sup>	50	5	14	30	7	55	47,0	7,5
AXC60S/T	B5	63	100	50 <sup>1</sup>	80	9	19 <sup>2</sup>	40	3	82	71,0	10,0
	B 14	75	100	50 <sup>1</sup>	80	9	19 <sup>2</sup>	40	3	82	71,0	10,0
	B5	115	130	95	95	19	20	40	15	110	84,0	10,0
		130	130	110	110	24	24	50	25	120	93,0	10,0
AXDL110S/T	B5	50	75	40	60	9	19 <sup>2</sup>	40	3	60	72,0	10,0
	B 14	70	75	40	60	9	19 <sup>2</sup>	40	3	60	72,0	10,0
AXLT155S/T	B5 / B14	55	100	34 <sup>1</sup>	80	5	14	30	7	85	71,0	10,0
AXC80S/T AXC100S/T AXF100G/S/T AXDL160S/T AXLT225S/T	B5 / B14	63	100	50	80	9	19 <sup>2</sup>	40	3	82	76,0	17,0
	B5	115	130	95	110	19	20	40	15	110	88,0	17,0
		130	130	110	110	24	24	50	25	120	98,0	17,0
AXC120S/T AXDL240S/T AXLT325S/T	B5 / B14	75	130	60 <sup>1</sup>	110	14	24 <sup>2</sup>	50	3	112	89,0	60,0
AXLT455S/T	B5 / B14	165	165	130	130	32	32	60	28	155	130,5	60,0
		100	165	80 <sup>1</sup>	130	19	25	50	8	140	105,0	160,0
			165	110	130	28	32	60	23	155	120,0	160,0
		215	215	180	180	38	38	80	45	192	142,0	160,0

<sup>1</sup> - If using drives with smaller centering, the centering is done by the coupling

<sup>2</sup> - For drives with feather key and maximum shaft length, the delivery includes a shorter feather key for exchanging

<sup>3</sup> - Maximum value, dimensional representation in Chapter 3.7.3, Figure 3.14



① Optional feather key

Figure 6.35 — Code numbers of coupling cones for AXC\_S\_G, AXF\_S\_G, AXDL\_S\_G, AXLT\_S\_G

Table 6.25 — EN Limit sizes of coupling cones for AXC\_S\_G, AXF\_S\_G, AXDL\_S\_G, AXLT\_S\_G

Centering b [mm]		35	40	50	60	70	80	95	110	130	180								
Shaft diameter d [mm]		8	9	14	11	14	14	19	19	24	19	24	24	32	24	28	38		
Code number	Shaft without feather key	A	C	E	G	I	K	--	N	P	R	T	V	Y	A	C	E	G	I
	Shaft with feather key	B	D	F	H	J	L	M	O	Q	S	U	W	Z	B	D	F	H	J
When using a deflection belt drive <sup>1</sup>	Pitch circle e1 [mm]	46	63	70 / 95	75	90	100	115	130	130	165								
	Thread	M4	M4	M4 / M6	M5	M5	M6	M8	M8	M10									

<sup>1</sup>: note limit sizes of Chapter 6.2.5

X: Code number for special version according drawing

The coupling cone is no separate componet for Linear Axis of the series AXBG. The fixed bearing of the ball screw and the coupling cone are here one part. The dimensions according Figure 6.35 for this series are summarized in Table 6.26. The dimensions of the associated couplings are shown in Table 6.27 and Figure 6.36 and can be ordered as a separate part.

Table 6.26 — Dimensions of coupling cones for AXBG\_S\_G

Type	Code number	e1 [mm]	Thread	L1 [mm]	b1 [mm]	d <sub>min.</sub> [mm]	d <sub>max.</sub> [mm]	k [mm]	Nominal torque [Nm]
AXBG15S	A	25 x 8	4 x Ø 2,4	42,0	20	3	7	29,5 x 22	0,5
AXBG20S	A	29	4 x M3 x 6	49,0	20	3	7	40 x 29	1,0
AXBG26S	A	33	4 x M3 x 6	52,0	24	3	8	50 x 37	1,5
AXBG33S	A	37	4 x M3 x 8	59,0	28	3	8	50 x 44,5	1,5
		40	4 x M4 x 8						
	B	70	4 x M5 x 10	69,0	50			60 x 60	
AXBG46S	A	60	8 x M4 x 8	85,5	50	5	24	63 x 63,5	10,0
	B	70	4 x M4 x 8	93,5					
	C	90	4 x M5 x 10	100,5	70			80 x 80	
	D		4 x M6 x 12	105,5					
AXBG55S	A	70	4 x M5 x 10	94,0	50	5	24	89 x 74,5	10,0
	B	90	4 x M6 x 12	106,0	70			80 x 80	
	C		4 x M5 x 12		80			86 x 86	
	D	100	4 x M6 x 12						

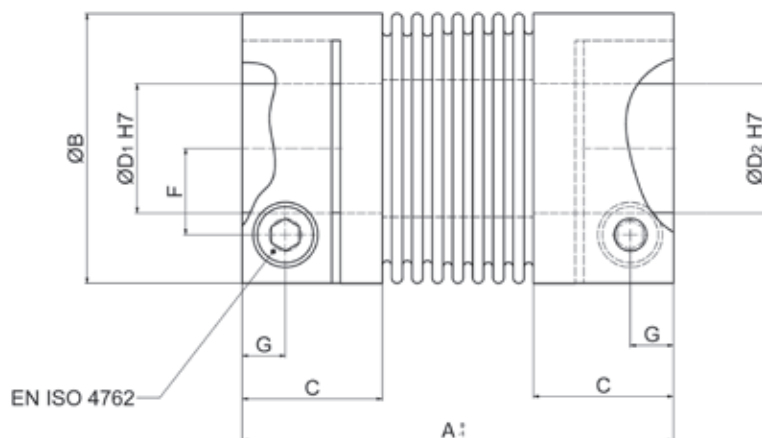
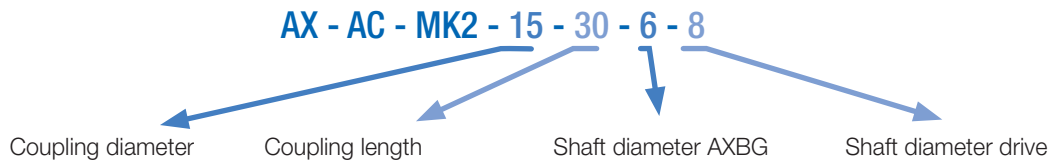


Figure 6.36 — Dimensions of the coupling for AXBG\_S\_G

Table 6.27 — Dimensions of the coupling for AXBG\_S\_G

Type	Coupling designation	A	B	C	D <sub>1</sub>	D <sub>2min</sub>	D <sub>2max</sub>	F	G	H	E	Torsional rigidity	Moment of inertia	Nominal torque	Mass
		[mm]	[mm]	[mm]	[mm]	[mm]	[mm]	[mm]	[mm]	[mm]		[Nm/rad]	[gcm <sup>2</sup> ]	[Nm]	[g]
AXBG15S	AX-AC-MK2-5-25-3-(D <sub>2</sub> )	25	15	9	3,0	3,0	7,0	4,5	3,0	12,0	M2	280	2,6	0,5	9,0
AXBG20S	AX-AC-MK2-10-30-4-(D <sub>2</sub> )	30	15	9	4,0	3,0	7,0	4,5	3,0	17,0	M2	380	3,4	1,0	10,0
AXBG26S	AX-AC-MK2-15-30-5-(D <sub>2</sub> )	30	19	11	5,0	3,0	8,0	6,0	3,5	14,5	M2,5	380	3,4	1,5	10,0
AXBG33S	AX-AC-MK2-15-30-6-(D <sub>2</sub> )	30	19	11	6,0	3,0	8,0	6,0	3,5	14,5	M2,5	750	8,5	1,5	22,0
AXBG46S	AX-AC-MK2-100-50-8-(D <sub>2</sub> )	50	40	16	8,0	5,0	14,0	15,0	5,0	27,5	M4	9 050	160,0	10,0	120,0
AXBG55S	AX-AC-MK2-100-50-12-(D <sub>2</sub> )	50	40	16	12,0	5,0	24,0	15,0	5,0	27,5	M4	9 050	160,0	10,0	120,0

Example type code of a coupling for AXBG\_S\_G:



## 6.2.5 Deflection belt drive

The use of a deflection belt drive allows the reducing of the total length from Linear Axis with screw drive significantly. This gives the possibility of using in restricted spaces and an optimal utilization of the available installation space. Deflection belt drives are available for Linear Axis off he series AXC, AXF, AXDL, AXLT and AXBG (Figure 6.38).

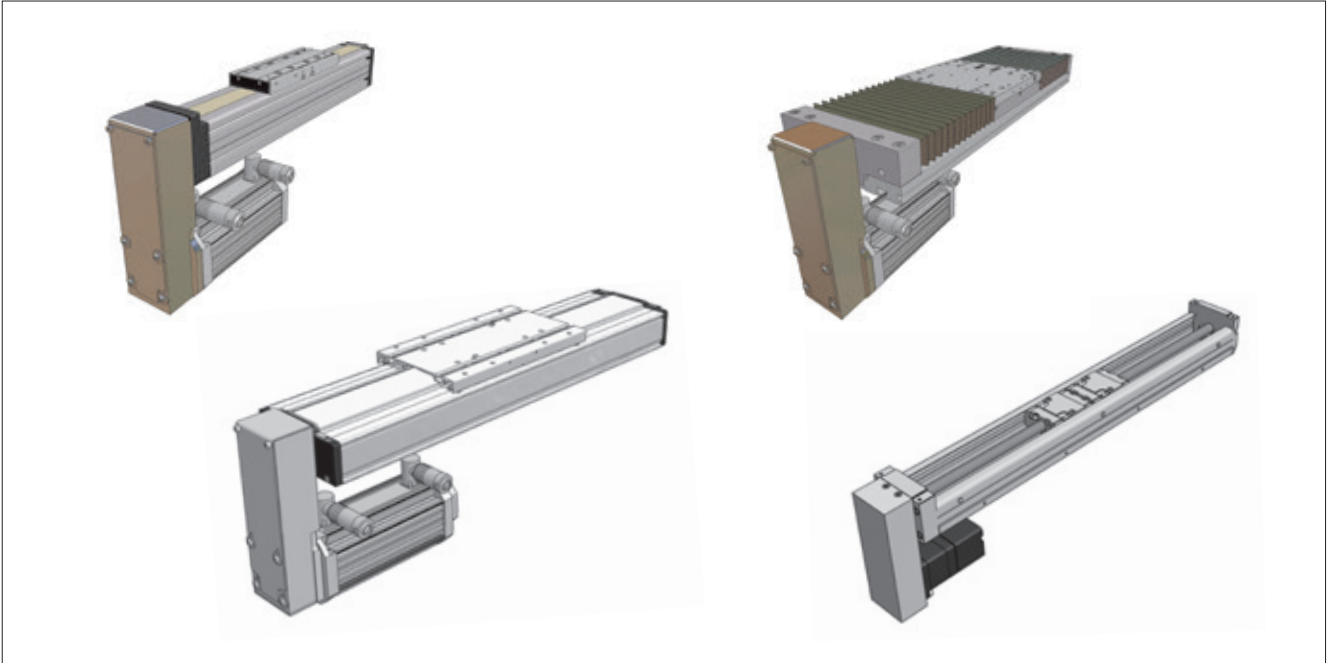


Figure 6.38 — Linear Axis with deflection belt drive

The installation position can be made with 90 ° offset (Figure 6.39).

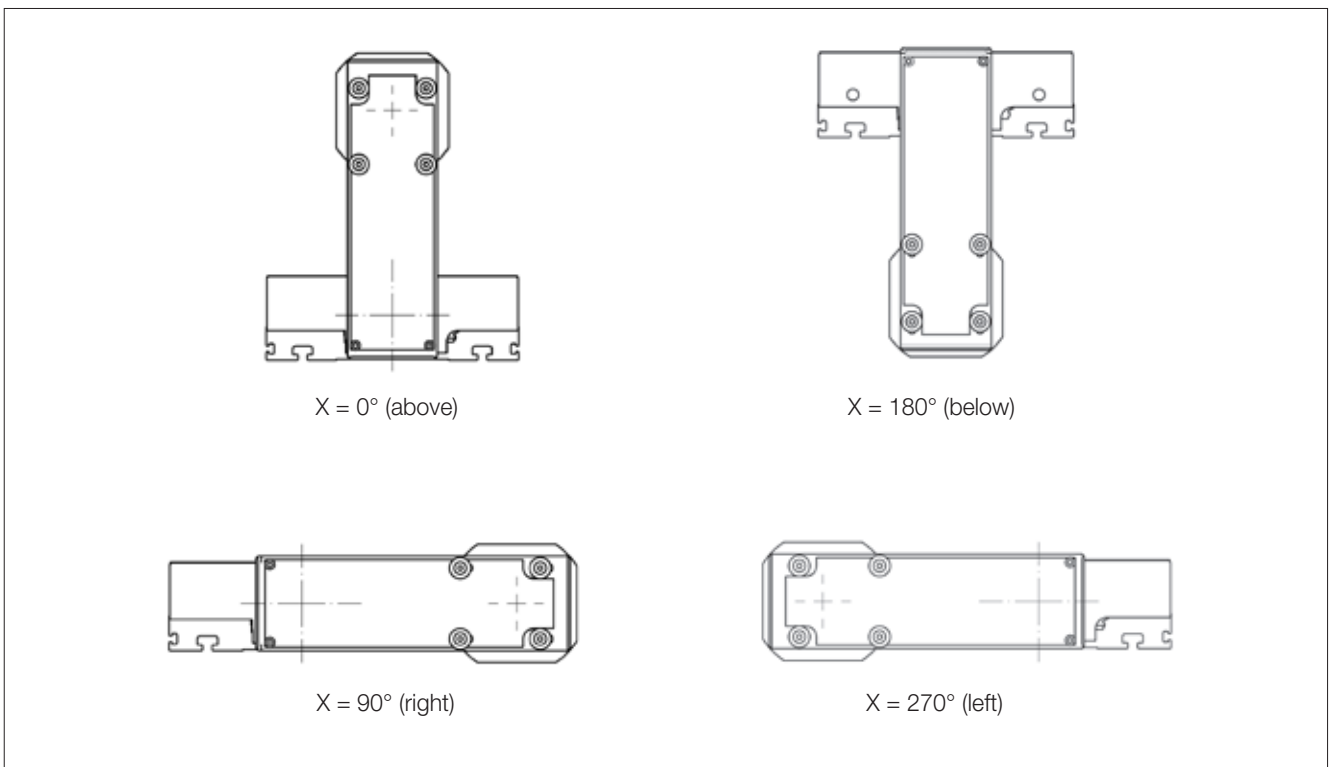


Figure 6.39 — Installation positions of deflection belt drives

Depending on the series and the ratio of the deflection belt drive is it possible to use drives with a smooth shaft or with feather key, which requires different maximum shaft diameter.

In Table 6.29 the maximum drive shaft diameter of the different versions are summarized.

Table 6.29 — Maximum drive shaft diameters for deflection belt drives

Type	Fixation with clamping set Ratio						Fixation with feather key Ratio								Fixation with glue connection Ratio												
	1,00	1,25	1,50	1,60	1,80	2,00	1,00	1,25	1,50	1,60	1,80	2,00	2,25	2,40	2,50	3,20	1,00	1,25	1,50	1,60	1,80	2,00	2,25	2,40	2,50	3,20	4,00
AXBG33	8						8																				
AXBG46	11						11																				
AXC60 AXDL110 AXLT155	14								14		11		9						14		14		9				
AXC80 AXC100 AXF100 AXDL160 AXLT225	16	14	10				24	19	16			12		9			24	24	19			14			11		
AXC120 AXDL240 AXLT325	24			14		10				24		19		14		11				24		24		24		14	11
AXLT455	28	28		28		19						28										28					

The dimensions of the deflection belt drives are shown in Figure 6.40 and Table 6.30.

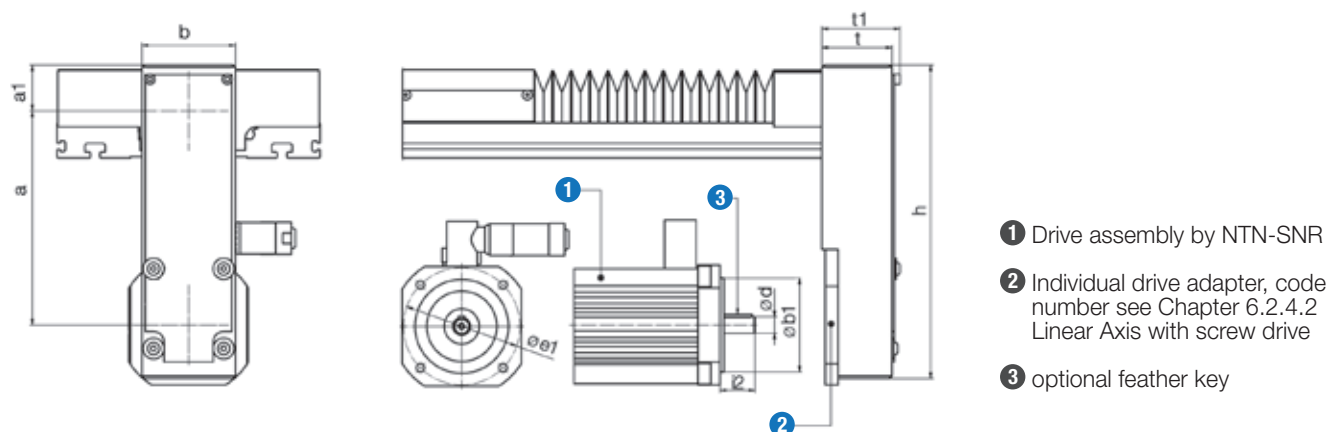


Figure 6.40 — Dimensions of deflection belt drives

Table 6.30 — Dimensions of deflection belt drives

Type	Ø b1 [mm]		Ø e1 [mm]		i2 [mm]		Desing type	a [mm]	a1 [mm]	b [mm]	h [mm]	t [mm]	t1 [mm]
	min.	max.	min.	max.	min.	max.							
AXBG33	30		46		25			72 ± 2,5	21,0	42	117	28	--
AXBG46	50		70		30			102 ± 2,5	31,0	62	167	24	--
AXC60	50 <sup>1</sup>	60	63	75	20	30	B5	106 ± 6	35,0	60	197	40	45
AXDL110 AXLT155	40 <sup>1</sup>	60	63	75	20	30	B5	140,5 ± 2	31,5	60	216	40	45
AXC80 AXC100 AXF100 AXDL160 AXLT225	50 <sup>1</sup>	80	63	100	20	50	B5	185 ± 2,5	39,0	80	267	60	67
AXC120 AXDL240 AXLT325	60 <sup>1</sup>	110	75	130	30	50	B5 / B14	249,5 ± 5,5	57,0	100	407	60	67
AXLT455	80 <sup>1</sup>	130	100	165	30	60	B5 / B14	354 ± 5	89,0	180	565	80	89

<sup>1</sup> For drives with smaller centering, the centering by the drive adapter omitted

## 6.3 Switches

### 6.3.1 Switch versions

For position detection, depending on the requirement, mechanical switches in different protection classes as well as inductive proximity switches Figure 6.41 with the usual output circuits are available.

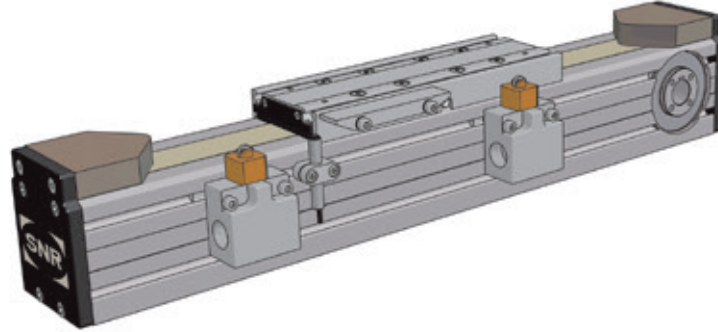


Figure 6.41 — Linear Axis with a set of mechanical limit switches and inductive proximity switch

For the emergency shutdown of the drives before the mechanical end position damper be achieved, mechanically actuated switches are usually used. A combination with outside placed inductive proximity switches to set additional switching points for example for reference movements is possible. A mechanical limit switch set consists of two switches with fasteners and cam switch.

An extremely compact version for Linear Axis of the AXC series are the inductive proximity switches for installation in the profile grooves (Figure 6.42). They are flush with the surface of the aluminum profile of the axis and have almost no interference contour. In this case a groove insert (Chapter 6.6) will be mounted in addition to assured positioning of the cable in the groove.

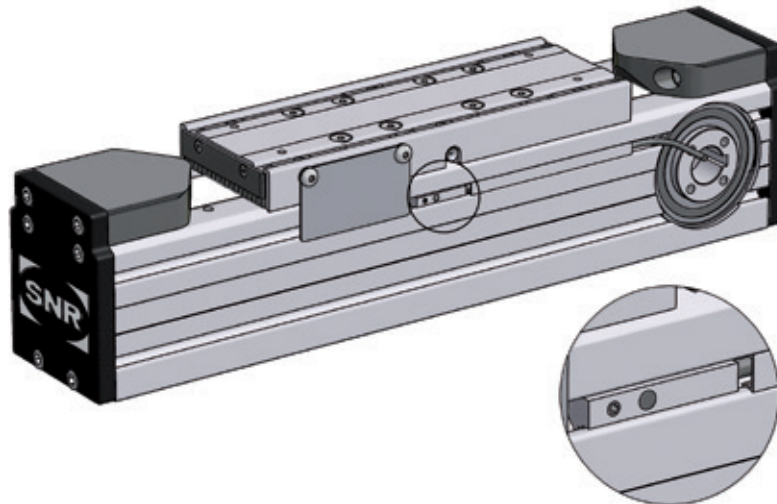


Figure 6.42 — Inductive proximity switches installation in the profile groove

The inductive proximity switches are available in the versions PNP-NC (opener), PNP-NO (closer) and NPN-NC (opener). An inductive proximity switches set consists of two switches with fasteners and cam switch.

All switches are installed factory-provided.



### 6.3.2 Cable guiding

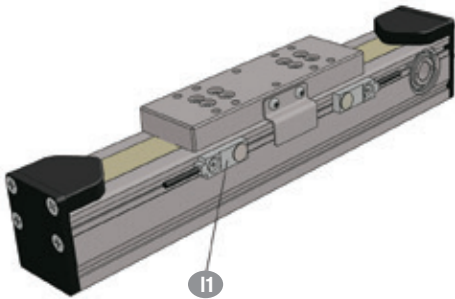
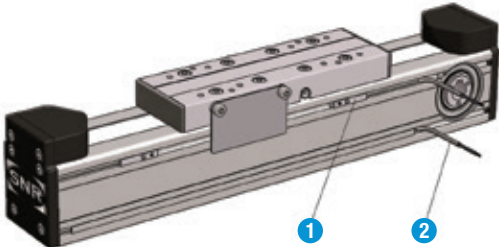
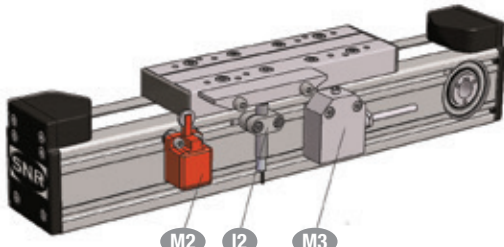
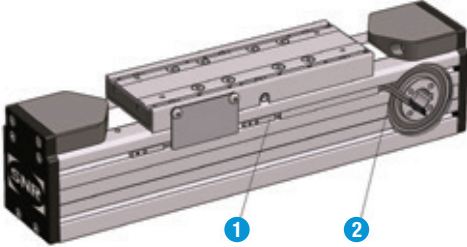
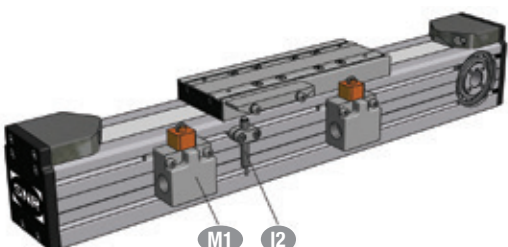
The cable of the inductive proximity switches for the AXC series are laid in a groove to the drive. The cable guiding is chosen such that at least 0.5 m free cable length remains. If this is not possible with the available cable length, the cable is led out on the opposite side. Only two inductive proximity switches per side can be used for the type AXC60.

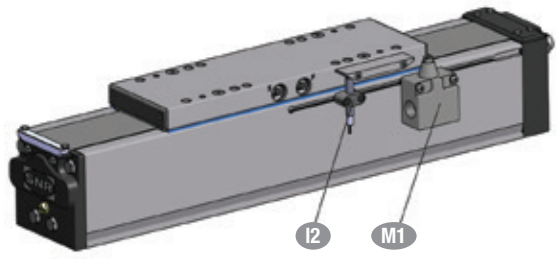
The cable of the inductive proximity switches I2 are laid in a groove to the drive except for AXC40. The cable length is chosen such that at least 0.5 m free cable length remains. If this is not possible with the maximum available cable length, the cable is led out on the opposite side. For the type AXDL 110 Z the cables are always laid out to the deflection pulley side. For the types AXDL160Z and AXDL240Z the cables are always laid out to the pulley side.

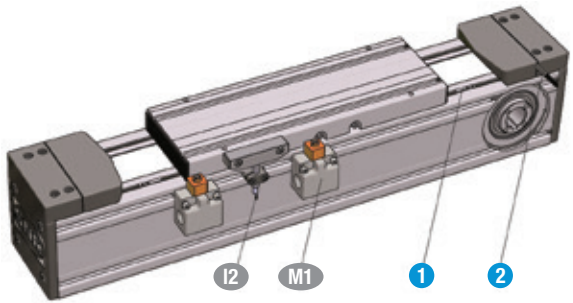
### 6.3.3 Mounting options

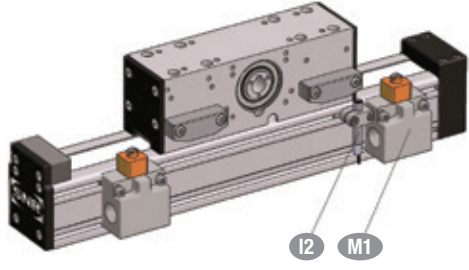
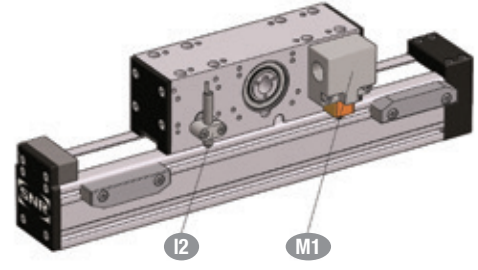
Depending on series and size a variety combination and assembly options of limit switches are possible, which are summarized in Table 6.31. The most common combinations can be encoded on the type code. An overview of these options contains Table 6.36 in Chapters 6.3.7.

Table 6.31 — Switch mounting on SNR Linear Axis

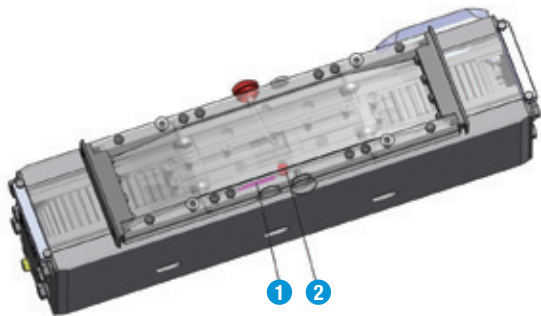
AXC	
<p>AXC40Z AXC40S AXC40T</p>	<p>Inductive proximity switches (I1)</p> 
<p>AXC60Z AXC60S AXC60T</p>	<p>Inductive proximity switches (AXC Initiator)</p>  <p>1 AXC – Initiator 2 Cable guide</p> <p>Mechanical (M2,M3) and inductive proximity switches (I2)</p> 
<p>AXC80Z AXC80S AXC80T AXC100Z_B AXC100Z_C AXC100Z_L</p>	<p>Inductive proximity switches (AXC Initiator)</p>  <p>1 AXC – Initiator 2 Cable guide</p> <p>Mechanical (M1) and inductive proximity switches (I2)</p> 

<p>AXC100Z_D AXC100S_D</p>	<p>Mechanical (M1) and inductive proximity switches (I2)</p> 
--------------------------------	---

<p>AXC120Z AXC120S AXC120T</p>	<p>Mechanical (M1), AXC initiator and inductive proximity switches (I2)</p>  <p> <b>1</b> AXC – Initiator  <b>2</b> Cable guide     </p>
--	--

<p>AXC_A</p>	<p><b>Slider moved</b> Mechanical (M1)* and inductive proximity switches (I2)</p>  <p>* M2 for AXC40A</p>	<p><b>Profile moved</b> Mechanical (M1)* and inductive proximity switches (I2)</p>  <p>* M2 for AXC40A</p>
--------------	--	--

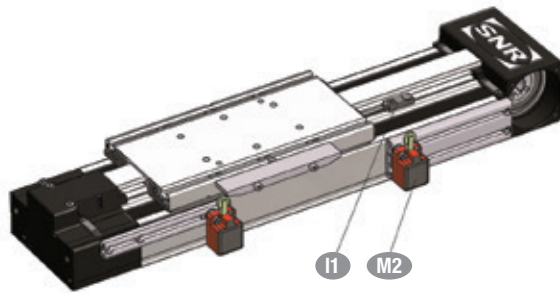
## AXF

<p>AXF100Z AXF100S AXF100T AXF100G</p>	<p>Magnetic field switch</p>  <p> <b>1</b> Magnetic field switch  <b>2</b> Switching magnet     </p>
--	--

## AXDL

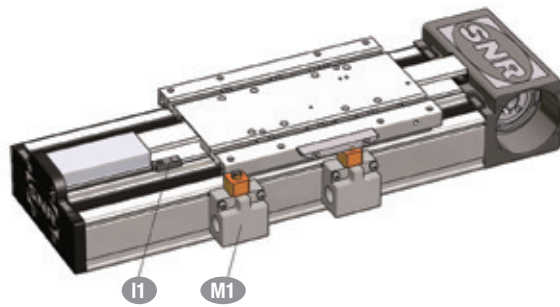
AXDL110Z  
AXDL100S  
AXDL110T

Mechanical (M2) and inductive proximity switches (I1)



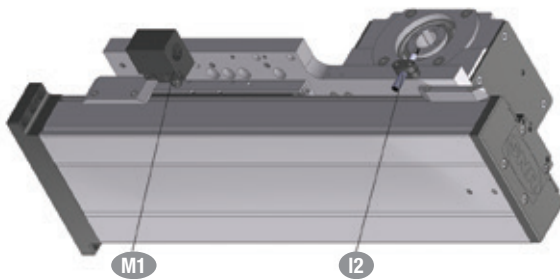
AXDL160Z  
AXDL160S  
AXDL160T  
AXDL240Z  
AXDL240S  
AXDL240T

Mechanical (M1) and inductive proximity switches (I1)



AXDL160A  
AXDL240A

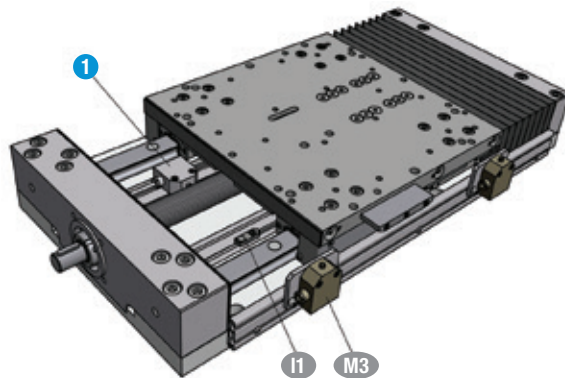
Mechanical (M1) and inductive proximity switches (I2)



## AXLT

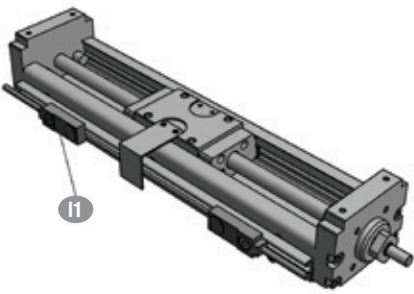
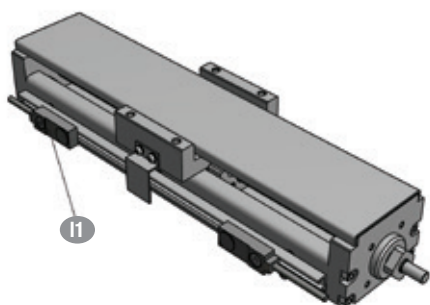
AXLT\_S  
AXLT\_T

Mechanical (M3) and inductive proximity switches (I1, I3)

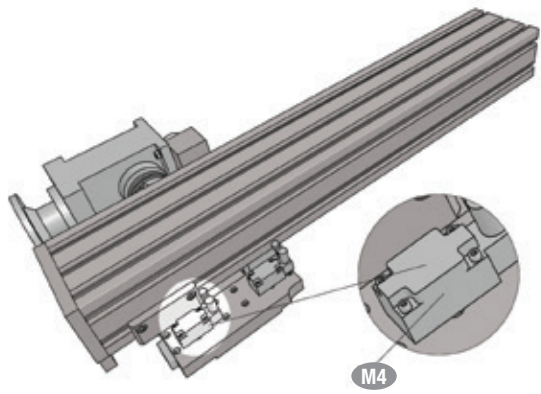
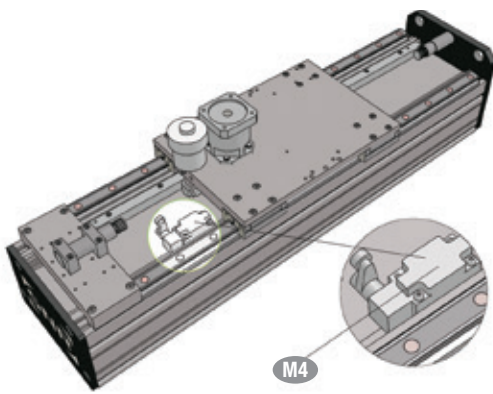


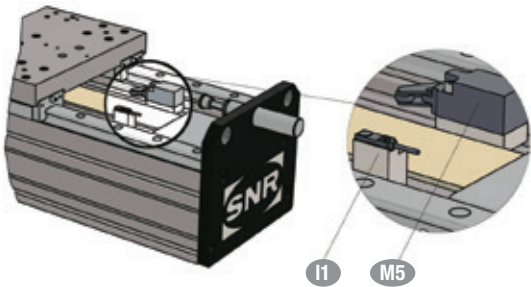
① M1 only for AXLT455

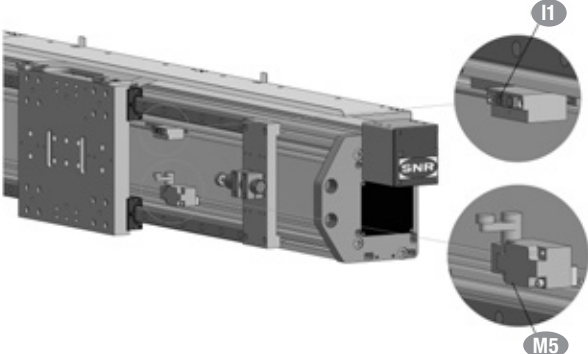
## AXBG

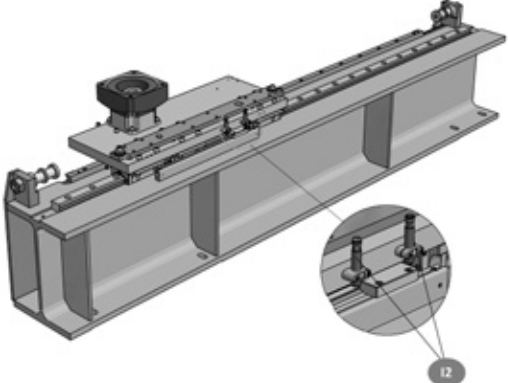
AXBG_S	<p>Inductive proximity switches (I1)</p> 	<p>Inductive proximity switches (I1)</p> 
--------	--	---

## AXS

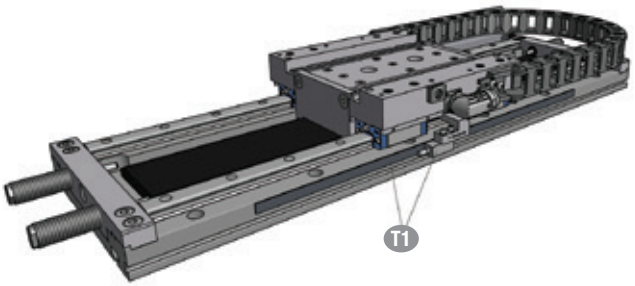
<p>AXS200M_ AXS230MB AXS280MB AXS110TA AXS120TH AXS120TV AXS240TH AXS280TH AXS280TV</p>	<p>Mechanical switches (M4)</p> 
<p>AXS280MP AXS460MP AXS500MP</p>	<p>Mechanical switches (M4)</p> 

<p>AXS200Y AXS280Z</p>	<p>Mechanical (M5) and inductive proximity switches (I1)</p> 
----------------------------	---

<p>AXS_Y</p>	<p>Mechanical (M5) and inductive proximity switches (I1)</p> 
--------------	---

<p>AXS300MP</p>	<p>Inductive proximity switches (I2)</p> 
-----------------	--

**AXLM**

<p>AXLM</p>	<p>Magnetic encoded position measuring system (T1...T4)</p> 
-------------	--

### 6.3.4 Dimensions

For the assembly of limit switches consist of Linear Axis of the series AXC, AXDL, AXLT, AXBG and AXLM depending on size, different mounting versions (Figure 6.43) and from this resulting interference contours.

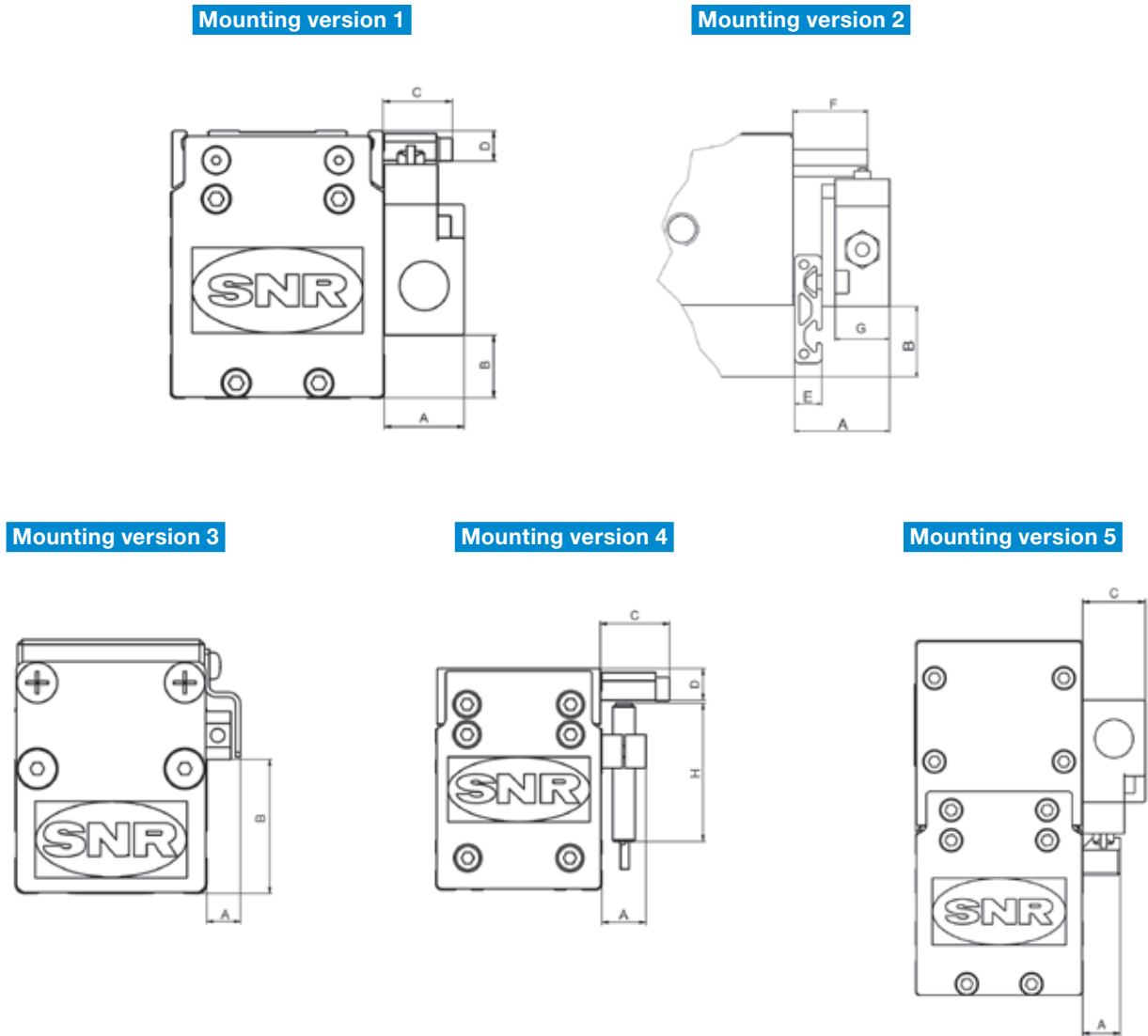


Figure 6.43 — Mounting versions of limit switches

The dimensions are shown in Table 6.32.

Table 6.32 — Dimensions for the limit switch mounting

Type	Switch	Mounting version	A [mm]	B [mm]	C [mm]	D [mm]	E [mm]	F [mm]	G [mm]	H [mm]	L <sup>1</sup> [mm]
AXC40Z AXC40S AXC40T	I1	3	7,0	28,0							30
AXC40A	Slider moved	I1	7,0	28,0							58
	Profile moved	M2	18,0		21,00						58
I2		18,0		16,00						58	
AXC60Z AXC60S AXC60T	M2	1	22,0	19,5	25	11,5					95
	M3	1	20,0	12,5	18	19,0					80
	I2	4	16,0		as with M2 / M3					50	95
AXC60A	Slider moved	M1	30,0	9,5	18	55,0					80
		I2	16,0		15,0	50,0				55	
	Profile moved	M1	18,0		30,0						80
		I2	18,0		16,00						80
AXC80Z AXC80S AXC80T	M1	1	30,0	25,5	26	11,0					95
	I2	4	16,0		26	11,0				50	95
AXC80A	Slider moved	M1	30,0	9,5	18	55,0					55
		I2	16,0		16,0	80,5				55	
	Profile moved	M1	18,0		30,0						80
		I2	18,0		16,00						80
AXC100Z_ AXC100Z_C AXC100Z_L	M1	1	30,0	22,5	15	23,5					80
	I2	4	16,0		15	23,5				50	80
AXC100S_D AXC100Z_D	M1	1	30,0	22,5	15	11,0					85
	I2	4	16,0		15	11,0				50	85
AXC120Z AXC120S AXC120T	M1	1	30,0	64,5	26	20,0					80
	I2	4	16,0		26	11,0				50	80
AXC120A	Slider moved	M1	30,0	9,5	18	55,0					80
		I2	16,0		12,8	150,0				50	80
	Profile moved	M1	18,0		30,0						80
		I2	18,0		16,00						80
AXDL110Z AXDL110S AXDL110T	M2	2	31,0	7,0	24	9,3	10	27,5	20		120
AXDL160Z AXDL160S AXDL160T	M1	1	30,0	9,5	15	8,5					85
	AXDL160A	M1	8,0		33,00						80
I2		15,5		16,00						85	
AXDL240Z AXDL240S AXDL240T	M1	1	30,0	22,0	15	33,0					80
AXDL240A	M1	5	8,0		29,00						80
AXLT155S AXLT155T	M3	2	25,0	1,0				27,5	20		54
AXLT225S AXLT225T	M3	2	25,0	11,0				27,5	20		54
AXLT325S AXLT325T	M3	2	35,0	26,0				27,5	20		90
AXLT455S AXLT455T	M3	2	34,0	39,5				27,5	20		90
AXBG15S	I1	3	12,7	4,8							10
AXBG20S	I1	3	13,0	6,0							10
AXBG26S	I1	3	13,0	7,0							15
AXBG33S	I1	3	13,0	9,0							15
AXBG46S	I1	3	13,0	10,5							15
AXBG55S	I1	3	13,5	13,0							20
AXLM155	T <sub>-</sub>	5	1,7		17,50						
AXLM225	T <sub>-</sub>	5	1,7		18,50						
AXLM325	T <sub>-</sub>	2									

<sup>1</sup> Length of the cam switch<sup>2</sup> Switch internally placed, no interference contour

### 6.3.5 Line splitter

For the field installation of the inductive switches, Linear Axis of the AXC, AXDL and AXLT series can be equipped with line line splitters. Depending on the number of required switches, Y line splitter for two or sensor boxes for four switches are available. Line splitters have to be specified as special options of the Linear Axis and will be delivered with fully wired limit switches. For the connection to the signal processing controller, fixed cables, connectors as well as fieldbus and IO-Link are available.

### 6.3.6 Technical data

The technical data of the available switches and position measuring systems are contained in the Tables 6.33 to 6.36.

Table 6.33 — Mechanical safety limit switches

Switch	Life time	Housing material	Cable gland	Conductor cross-section	Protection class
M1	30 x 10 <sup>6</sup> switching operations	Plastic	M20 x 1,5	0,5...2,5 mm <sup>2</sup>	IP67
M2	30 x 10 <sup>6</sup> switching operations	Plastic	Screwed connection 4 x M3,5	0,5...1,5 mm <sup>2</sup>	IP30
M3	10 x 10 <sup>6</sup> switching operations	Metal	Screwed connection	max. 1,5 mm <sup>2</sup>	IP67
M4	30 x 10 <sup>6</sup> switching operations	Plastic	M20 x 1,5	0,5...2,5 mm <sup>2</sup>	IP67
M5	30 x 10 <sup>6</sup> switching operations	Plastic	M20 x 1,5	0,5...2,5 mm <sup>2</sup>	IP67

Switching segment: Snap-action switch (force disconnection) each case 1 x opener and 1 x closer

Table 6.34 — Inductive proximity switches

Switch	Connection voltage	Max. load current	Switching accuracy	Cable length	Protection class
AXC-Initiator	10...30 V DC	100 mA	≤ 2% of the reacting distance	10 m	IP67
I1	10...30 V DC	100 mA	≤ 10% of the reacting distance	5 m	IP67
I2	12...30 V DC	100 mA	≤ 5% of the reacting distance	2 m	IP67



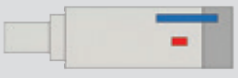



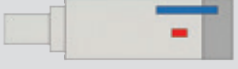

The magnetic field switch detects the magnetic field of the in the slider integrated magnet. Due to the contactless position detection is the function of the magnetic field switches reliable and without wear.

Table 6.35 — AXF – Magnetic field switch

Switch	Connection voltage	Rated operational current	Rated switching field intensity	Cable length	Protection class
AXF Magnetic field switch	10...30 V DC	200 mA	1,2 kA/m	5 m	IP67

The magnet encoded position measuring system is a contactless incremental measuring system, consisting of sensor head and magnetic tape, which is available in several versions. All functions are realized via magnetic sensing.

Table 6.36 — Magnetic encoded position measuring system

Switch	Output signal	Reference point signal	Operating voltage	Total system accuracy	Output voltage (A/B/Z)	Maximum velocity	Protection class	Sensor head	Magnetic tape
T1	Sinusoidal analog signals Sin/Cos	without	5 V ± 5%	± 10µm	1 Vss	5 m/s	IP67		with alternating north and south poles 
T2	Sinusoidal analog signals Sin/Cos	1 Reference point signal	5 V ± 5%	± 10µm	1 Vss	5 m/s	IP67		with one reference point signal 
T3	Sinusoidal analog signals Sin/Cos	Distance-coded reference point signals	5 V ± 5%	± 10µm	1 Vss	5 m/s	IP67		with reference point signals according mathematical algorithm 
T4	Sinusoidal analog signals Sin/Cos	fix periodic reference point signals	5 V ± 5%	± 10µm	1 Vss	5 m/s	IP67		with several reference point signals at the same distance 





Code number	Mechanical switches					Magnetic encoded position measuring system							AXF	AXDL				AXLT	AXBG	AXS			AXLM																	
	M1	M2	M3	M4	M5	AXF - Magnetic field switch PNP-NC	AXF - Magnetic field switch PNP-NO	AXF - Magnetic field switch NPN-NC	I1 PNP-NC	I1 PNP-NO	I1 NPN-NO	I2 PNP-NC		I2 PNP-NO	I2 NPN-NO	T1 (without RP*)	T2 (1 RP*)			T3 (distance-coded RP*)	T4 (fix. periodic RP*)	AXF100...Z / SN / T / G...		AXDL110Z / S / T...	AXDL160Z / S	AXDL240Z / S	AXDL...A	AXLT...155/225...	AXLT...325/455...	all	AXS...M	AXS280Y	AXS200Y - AXS280Z	AXS...T	all					
00																			x	x	x	x	x	x	x	x	x	x	x	x	x									
01	1																				x	x	x					x	x			x								
				1																																				
02					1																																			
03																																								
04																																								
05																																								
06																																								
07																																								
08																																								
12																																								
13																																								
18																																								
19																																								
21																																								
22																																								
26																																								
27																																								
28																																								
29																																								
30																																								
31																																								
32																																								
33																																								
34																																								
35																																								
50																																								
51																																								
52																																								
53																																								

\* RP = Reference point signal

\*\*only on the drive side possible

<sup>1</sup> - not in combination with A – Standard connections possible

Choose in this case code number 01 on both sides (combinations 01 + 26 / 29 / 32 also possible)

<sup>2</sup> - Initiator mounted on the right side on the top; always choose "Switch Installation left" in type code

<sup>3</sup> - Initiator on the left side inside placed; always choose "Switch Installation left" in type code

x: Option possible

Other switch combinations are marked in type code with "XX" and described in plain text.



## 6.5 Gantry support legs

For the assembling of Linear Axis systems are gantry support legs in different sizes and designs available (Figure 6.44). The length and the color of the gantry support legs can be set individually.



Figure 6.44 — SNR Linear Axis system with gantry support legs

Table 6.39 shows the dimensions of the gantry support legs and the different versions. The limit dimensions and combination possibilities are included in Table 6.40.

Table 6.39 — Dimensions and versions of gantry support legs

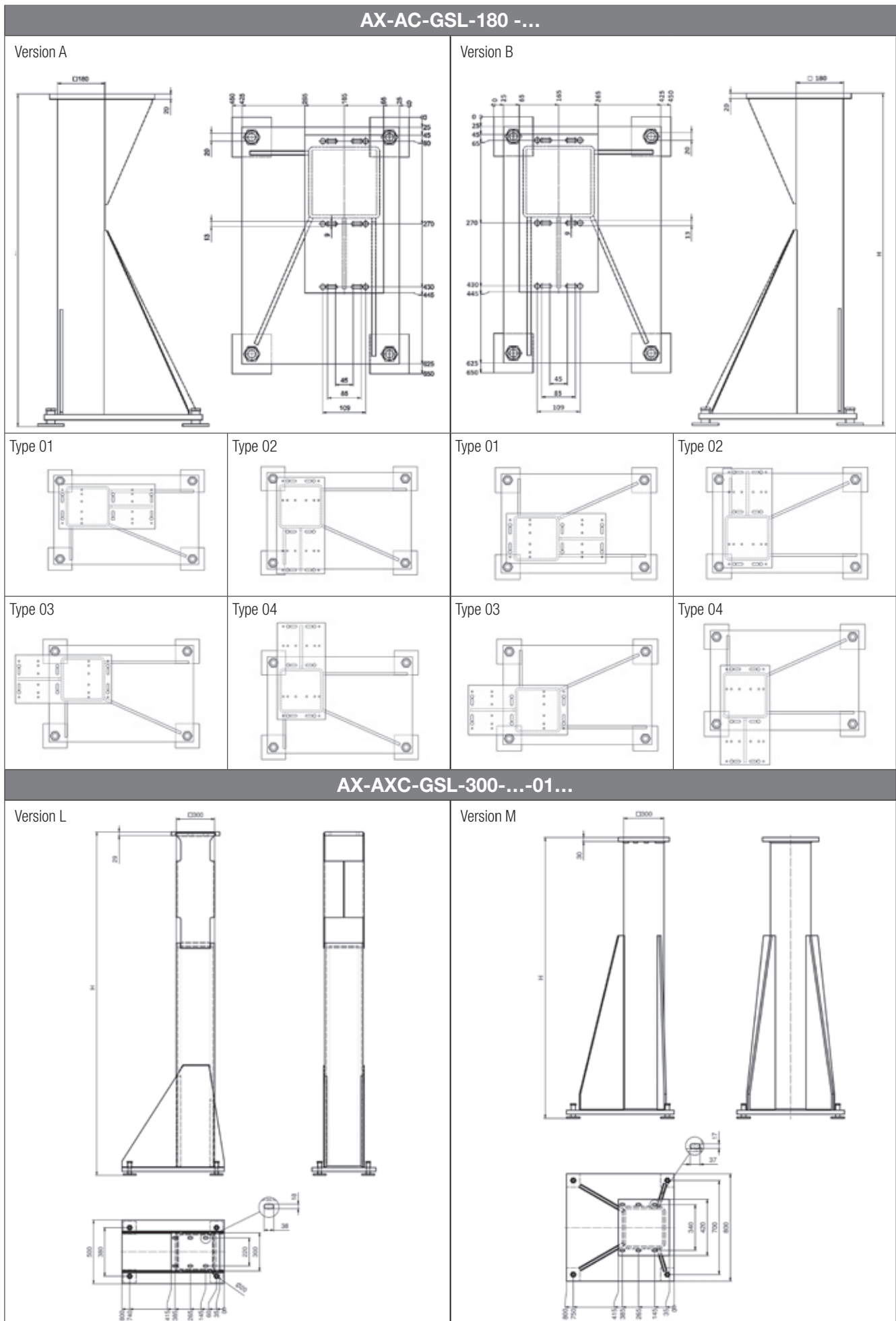


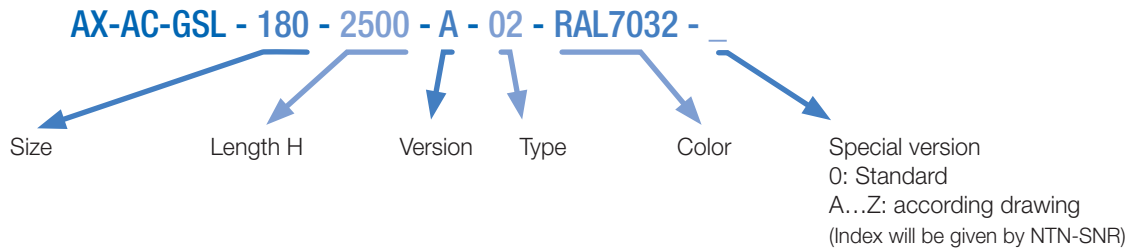
Table 6.40 — Limit dimensions and combination possibilities of gantry support legs

Type	H <sub>min.</sub> [mm]	H <sub>max.</sub> <sup>1</sup> [mm]	AXC120	AXS200M_B	AXDL240	AXS280MP	AXS280Y	AXS280Z	AXS300MP_B	AXS460MP	AXS500MP
AX-AC-GSL-180-_-...	800	4 000	x	x	x <sup>2</sup>	x	x	x			
AX-AC-GSL-300-L-...	1 800	5 000							x	x	x
AX-AC-GSL-300-M-...	1 400	5 000							x	x	x

<sup>1</sup> - maximum recommended length, please contact NTN-SNR for longer gantry support legs

<sup>2</sup> - Assembly via AX-Portal connection-120-240

Example type code of a gantry support leg:



## 6.6 Groove inserts

At environments with heavy dirt, the profile grooves can be closed with groove inserts (Figure 6.45 and 6.46), to avoid deposits in the profile grooves from the Linear Axis. The cleaning of these systems will be facilitated considerably.



Figure 6.45 — Aluminum groove insert



Figure 6.46 — Plastic groove insert

For Linear Axis, which are equipped with inductive proximity switches (Chapter 6.2.8), the grooves containing the cable guides are always closed with groove inserts.

Table 6.41 — contains the list of available groove inserts

Table 6.41 — Groove inserts

Type	Type code	ID number	Mounting possibility	Material	Color	Length [mm]
AXC40	AX-AC-GIN-5-2000-PP	101842	Profile bottom side	Polypropylen	black	2 000
AXC60	AX-AC-GIN-5-2000-PP	101842	all grooves	Polypropylen	black	2 000
AXC80	AX-AC-GIN-6-2000-PP	101832	all grooves	Polypropylen	black	2 000
	AX-AC-GIN-6-2000-AL	101841		Aluminum anodized	natural	2 000
AXC100	AX-AC-GIN-6-2000-PP	101832	lateral groove above	Polypropylen	black	2 000
	AX-AC-GIN-6-2000-AL	101841		Aluminum anodized	natural	2 000
	AX-AC-GIN-8-2000-PP	101632	lateral groove below	Polypropylen	black	2 000
	AX-AC-GIN-8-3000-AL	101822		Aluminum anodized	natural	3 000
AXC120	AX-AC-GIN-6-2000-PP	101832	Profile top side	Polypropylen	black	2 000
	AX-AC-GIN-6-2000-AL	101841		Aluminum anodized	natural	2 000
	AX-AC-GIN-8-2000-PP	101632	Profile bottom side, lateral grooves	Polypropylen	black	2 000
	AX-AC-GIN-8-3000-AL	101822		Aluminum anodized	natural	3 000
all AXDL	AX-AC-GIN-10-2000-AL	173218	Profile top side	Aluminum anodized	natural	2 000
AXDL240	AX-AC-GIN-5-2000-PP	101842	lateral groove above	Polypropylen	black	2 000
	AX-AC-GIN-8-2000-PP	101632		Polypropylen	black	2 000
	AX-AC-GIN-8-3000-AL	101822	lateral groove below	Aluminum anodized	natural	3 000

## 6.7 Connection for sealing air or air suction

SNR Linear Axis of the AXC and AXDL series are equipped with a connection for sealing air or for air suction. The description and dimensions of these connections are summarized in Figure 6.47 and Table 6.42. The configuration version and the associated specification of the Linear Axis in which the connection is useful are described in Chapter 8.2.1.

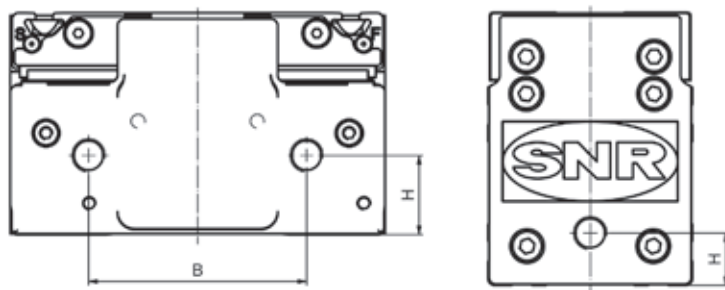


Figure 6.47 \_\_ Connection for sealing air or air suction

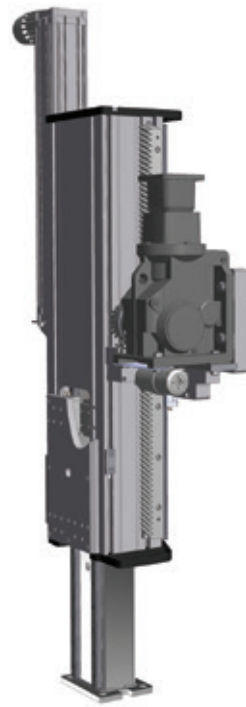
Table 6.42 — Dimensions

Type	H [mm]	B [mm]	Thread	Connection position
AXC40S	9,5		G1/8"	End plate, floating bearing side
AXC60S	20,0		G1/8"	End plate, floating bearing side
AXC60Z	15,0		G1/8"	both end plates
AXC80S	22,0		G1/8"	End plate, floating bearing side
AXC80Z	8,5		G1/8"	both end plates
AXC100S	29,4 57,0	32	G1/8" G1/8"	End plate, fixed bearing side End plate, floating bearing side
AXC100Z	10,2		G1/8"	both end plates
AXC120S	25,0		G1/8"	both end plates
AXC120Z	30,0		G1/8"	both end plates
AXF100S	29,4 57,0	32	G1/8" G1/8"	End plate, fixed bearing side End plate, floating bearing side
AXF100Z	10,2		G1/8"	both end plates
AXDL110S	12,0	74	G1/8"	End plate, floating bearing side
AXDL110Z	30,0	90	G1/8"	Deflection side
AXDL160S	25,0	105	G1/8"	both end plates
AXDL160Z	25,0	123	G1/8"	Deflection side
AXDL240S	46,0	145	G1/8"	both end plates
AXDL240Z	46,0	145	G1/8"	Deflection side

## 6.8 Balance cylinder

At high vertical moving masses, the Linear Axis AXC120A, AXS120TV, ADL240A, AXS230M, AXS280M and AXS280TV can be equipped to relieve the toothed belt with a balance cylinder (Figure 6.48).

Figure 6.48 — AXS280TV with balance cylinder



The dimensions of the possible versions are shown in Figure 6.49 and Table 6.43.

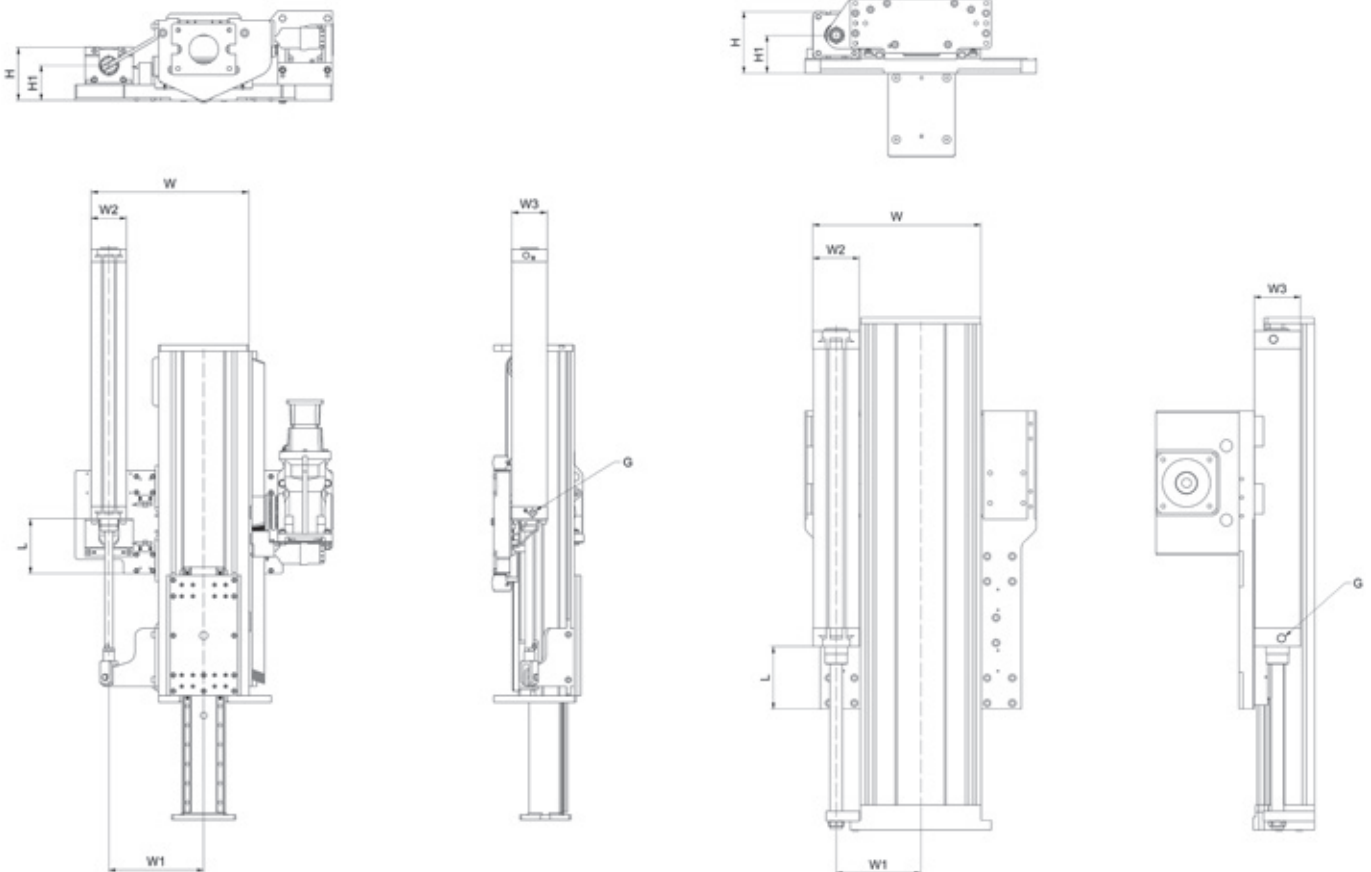


Figure 6.49 — AXDL240A and AXS280TV with balance cylinder

Table 6.43 — Dimensions axis with balance cylinder

Type	Cylinder	Piston - Ø [mm]	L [mm]	W [mm]	H [mm]	H1 [mm]	W1 [mm]	W2 [mm]	W3 [mm]	G
AXC120A										on request
AXS120TV										on request
AXDL240A	DNC80	80	variably adjustable	335	123	168	76	93	93	G3/8"
AXS280TV	DNC100	100	170	490	165	110	295	110	110	G1/2"
AXS230MB										on request
AXS280MB	DSBG160	160	265	474	251	158	241	186	186	G3/4"



## 6.9 Safety breaks

Lifting axis, designed for higher loads, can optionally be equipped with a safety brake as a safety option (Chapter 8.3.2).

The safety brakes have the following characteristics:

- Operating pressure 4...6 bar
- Pressureless active
- 2 000 breaking cycles respectively 5 000 000 clamping cycles life time
- Reaction time <30ms
- Optional with initiator to scan the actuating situation

Table 6.44 — Dimensions axis with safety break

Type	Breake type	Shaft - Ø [mm]	Holding force [N]	W [mm]	H [mm]	H1 [mm]	W1 [mm]	G	
AXC120A	RBPS2000	20	10 000	294,0	246,0	191,0	125,0	G1/8"	
AXDL160A	RBPS1000	10	3 500	217,5	119,0	73,0	110,0	M5	
AXDL240A	RBPS2000	20	10 000	340,5	153,0	103,5	171,0	G1/8"	
AXS200ME	RBPS2000	20	10 000	300,5	168,0	111,0	151,0	G1/8"	
AXS120TV				on request					
AXS230MB	RBPS2000	20	10 000	388,0	219,0	169,0	166,0	G1/8"	
AXS280TV	RBPS2000	20	10 000	425,0	194,7	145,2	191,0	G1/8"	
AXS280MB	RBPS2800	28	18 000	420,0	163,0	95,5	212,5	G1/8"	

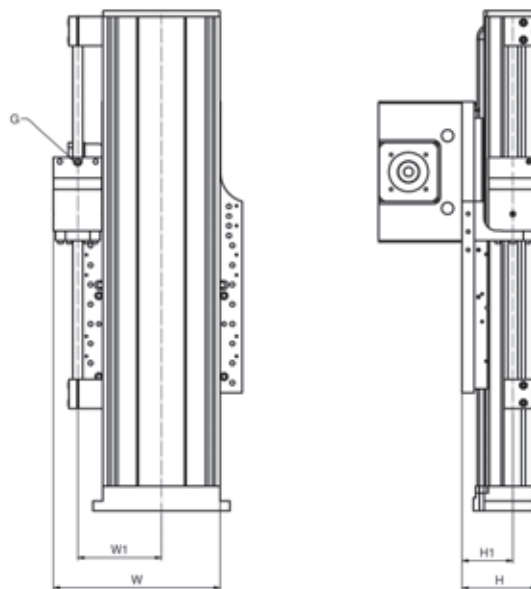


Figure 6.50 — Axis with safety break

## 6.10 Lubrication connections

The existing grease nipple of the linear axis of the AXC, AXDL, AXLT and AXS280Z series can be replaced if necessary by different types of grease nipples or by push-in fittings in accordance with the Tables 6.45 and 6.46.

Table 6.45 — Dimensions of the lubrication connections


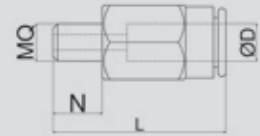
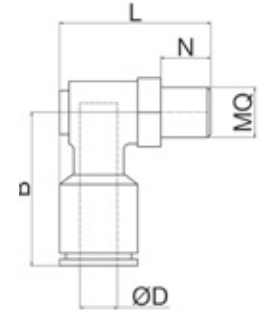
Type		Designation	ID Number	MQ	D / Mq [mm]	B [mm]	N [mm]	L [mm]		
Type 1 Extension		LE-M6-M6x22,4	250159	M6	M6		13,0	22,4		
Type 2 Tube connection straight		PUSH-IN STR M5 D4_0910101	330240	M5	4		4,0	20,0		
		Tube connection LH-M6x5A-4	244379	M6			5,0	16,0		
		Tube connection LH-M6x8A-4	391765	M6			8,0	19,0		
						6		5,0	17,0	
		Tube connection LH-M6x5A-6	244380	M6			8,0	26,0		
		Tube connection LH-M6x8A-6	391763	M6			6,0	24,3		
		Push-in fitting-M8x1-D6-straight	295839	M8x1			8,0	28,0		
Type 3 Tube connection angulate		PUSH-IN 90 M5 D4_0911095	352749	M5	4	17,5	4,0	21,0		
		Push-in fitting-L M5-D6	327405		6	20,8	4,0	22,5		
						4		18,0	5,0	22,5
		Tube connection LH-M6x5S-4	270991	M6			18,2	8,0	25,2	
		Tube connection LH-M6x8S-4	391762	M6						
						6		21,0	5,0	22,0
		Tube connection LH-M6x5S-6	262033	M6			21,0	8,0	26,1	

Table 6.46 — Correlation of the lubrication connections

Linear Axis	Design type standard grease nipple	Lubrication point	Type 1										Type 2			Type 3				
			MQ	LE-MQ-M6x22,4	PUSH-IN STR M5 D4_0910101	LH-M6x5A-__	LH-M6x8A-__	LH-M8x1x6A-6	PUSH-IN-STRAIGHT CONN178D6_3084578	PUSH-IN 90 M5 D4_0911095	LH-M5x4S-6	LH-M6x5S-__	LH-M6x8S-4							
AXC40A	Cup head grease nipple DIN 3405-A	all	M5		x															
AXC60A	Cup head grease nipple DIN 3405-A		M6				x													x
AXC60Z / S / T	Cup head grease nipple DIN 3405-A		M6				x													x
AXC80A	Cup head grease nipple DIN 3405-A		M6			(x)													(x)	
AXC80Z / S / T	Cup head grease nipple DIN 3405-A		M6			(x)													(x)	
AXC100	Hydraulic type grease nipple DIN 71412-A		M6			x														
AXC120	Hydraulic type grease nipple DIN 71412-A		M6			x														
AXDL110	Hydraulic type grease nipple DIN 71412-A		M5		x								x	x						
AXDL160	Hydraulic type grease nipple DIN 71412-A		M6	x			x <sup>1</sup>												x <sup>1</sup>	
AXDL240	Hydraulic type grease nipple DIN 71412-A		M6	x			x <sup>1</sup>												x <sup>1</sup>	
AXLT155	Hydraulic type grease nipple DIN 71412-A		M5			x							x	x						
AXLT225	Hydraulic type grease nipple DIN 71412-A		S	M8x1						x										
			F	M5			x						x	x						
AXLT325	Hydraulic type grease nipple DIN 71412-A			G1/8									x							
AXLT455	Hydraulic type grease nipple DIN 71412-A		G1/8									x								
AXS280Z	Hydraulic type grease nipple DIN 71412		M6						x										x	

x montable

(x) factory-provided montable (specify position)

x<sup>1</sup> only in connection with extension possible

# 7. Multi – Axis - Systems

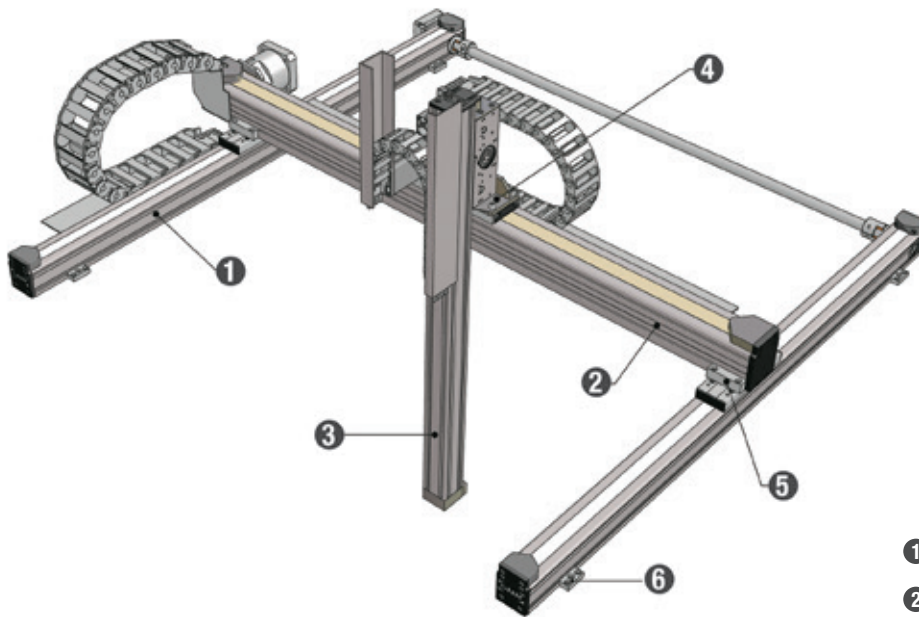
NTN-SNR standard axis systems allow the user to create modular two and three axis systems with very small design effort. Various combinations of the Linear Axis of the AXC, AXDL and AXS series to standard axis systems are possible.

All complete systems are pre-assembled ready for installation with switches, energy chains, gearboxes and necessary connecting and fastening elements.

If no energy chain is desired, the deliveries include the single components together with the necessary connecting and fastening elements. The descriptions of the direct, gantry, cross, A - standard connections and their combination possibilities, the drive adaptations as well as other accessories are contained in Chapter 6 "Accessories".

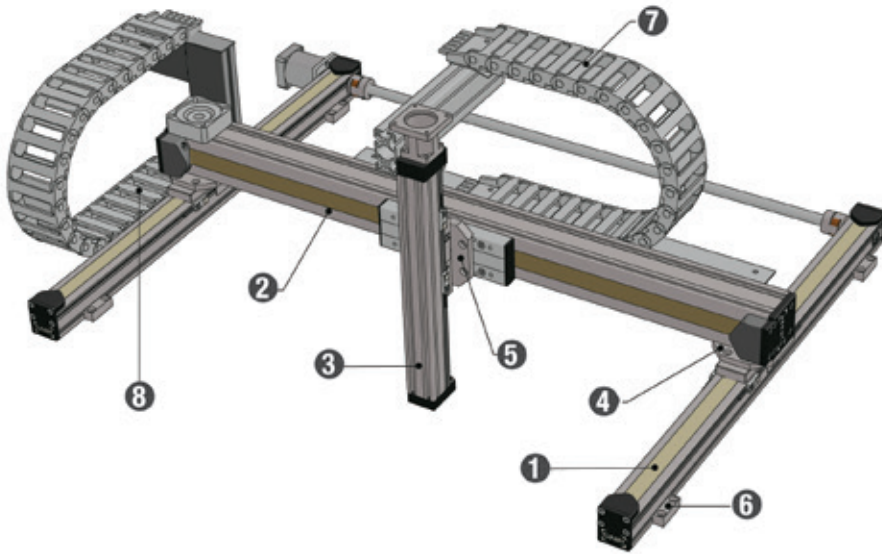
The figures in the following, chapters show examples of standard combinations of NTN-SNR Linear Axis.

## 7.1 Standard combinations AXC - AXDL



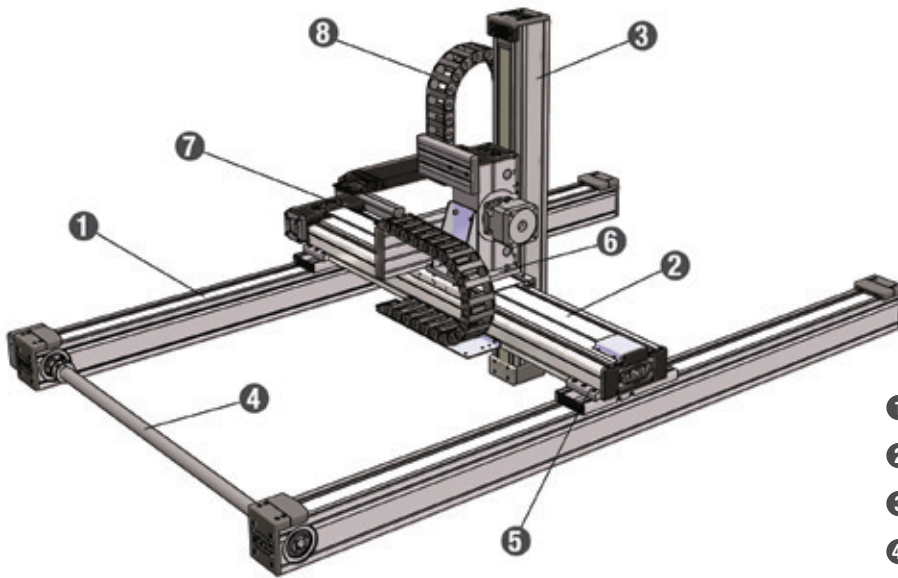
- ❶ X – Axis AXC\_Z
- ❷ Y – Axis AXC\_Z
- ❸ Z – Axis AXC\_A
- ❹ Standard connection AX-AC-SCU-\_\_
- ❺ Direct connection AX-AC-DCU-\_\_
- ❻ optional:  
Fastening cstrips AX-AC-FST-\_\_

Figure 7.1 — 3-Axis-System AXC\_Z – AXC\_Z – AXC\_A



- ① X - Axis AXC\_Z
- ① Y - Axis AXC\_Z
- ① Z - Axis AXC\_S
- ① AXC - Gantry connection AX-AC-GCU-
- ① Cross connection AX-AC-CCU-
- ① optional:  
Fastening strips AX-AC-FST-
- ① Energy chain direct to the Z-Axis
- ① Energy chain X-Axis  
(for AXC40 mounting direct on the machine frame)

Figure 7.2 — 3-Axis-System AXC\_Z - AXC\_Z - AXC\_S



- ① X - Axis AXC\_Z
- ② Y - Axis AXDL\_Z
- ③ Z - Axis AXC\_A
- ④ Connecting shaft AX-AC-CHS-
- ⑤ Direct connection AX-AC-DCU-
- ⑥ Standard connection AX-AC-SCU-
- ⑦ Energy chain Y-Axis
- ⑧ Energy chain Z-Axis

Figure 7.3 — 3-Axis-System AXC\_Z - AXDL\_Z - AXC\_A

## 7.2 Standard combinations AXS – AXC - AXDL

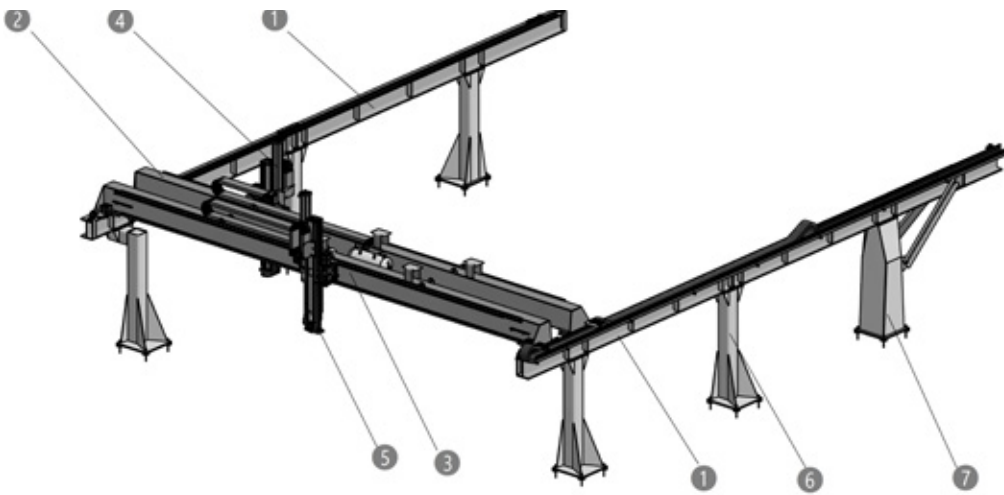


Figure 7.4 — 3-Axis-System AXS300M - AXS500M - AXS280B

- ❶ X – Axis AXS300MP
- ❷ Y – Axis 1 AXS500MP
- ❸ Y – Axis 2 AXS500MP
- ❹ Z – Axis 1 AXS280MB
- ❺ Z – Axis 2 AXS280MB
- ❻ Gantry support leg AX-AC-GSL-300
- ❼ Special gantry support leg AX-AC-GSL-500

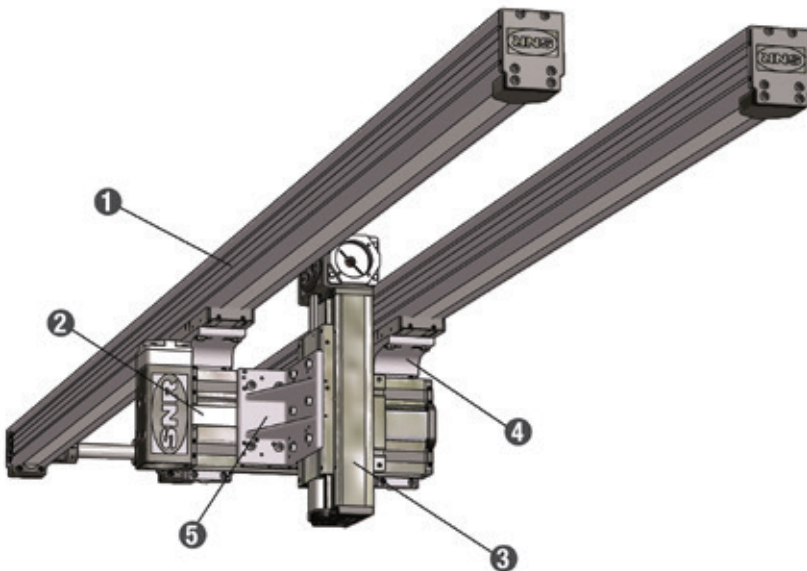
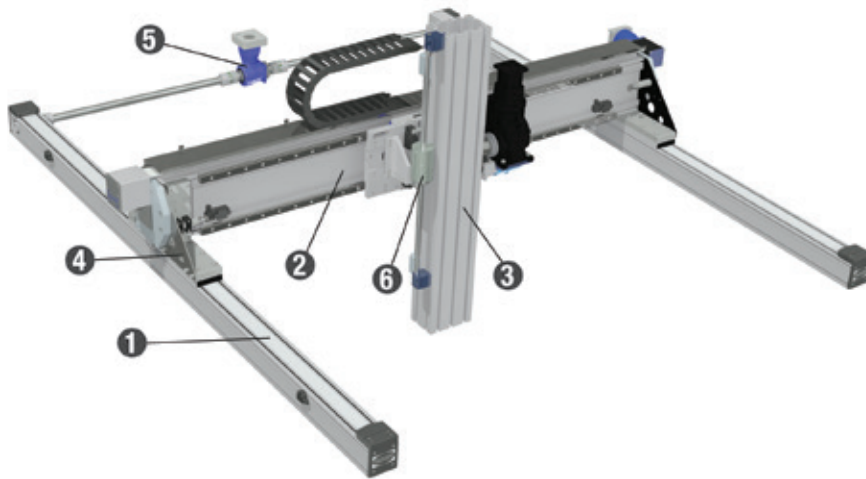


Figure 7.5 — 3-Axis-System AXC\_Z – AXDL\_Z - AXDL\_Z

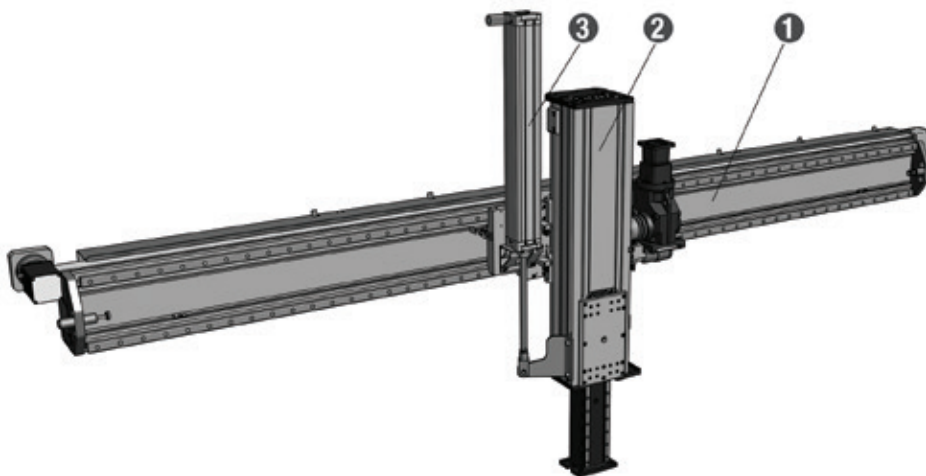
- ❶ X – Axis AXC\_Z
- ❷ Y – Axis AXDL\_Z
- ❸ Z – Axis AXDL\_Z
- ❹ Gantry connection AX-AC-GCU-<sub>1</sub>
- ❺ Angle connection AX-AC-ACU-<sub>1</sub>



- ❶ X – Axis AXC120Z\*
- ❷ Y – Axis AXS280Y
- ❸ Z – Axis AXS200M
- ❹ Gantry connection  
AX-AC-GCU-120C-280
- ❺ optional: Angular gearbox  
for wider spacings of the axis
- ❻ optional: Safety break

\*AXC\_A for very large travel ranges  
 • if several carriages should moved independently  
 • if connecting shaft at the end of the axis not possible

Figure 7.6 — 3-Axis-System AXC120Z(A) – AXS280Y – AXS200M



- ❶ Y – Axis AXS280Y
- ❷ Z – Axis AXS280TV
- ❸ Balance cylinder

Figure 7.7 — 2-Axis-System AXS280Y – AXS280TV

### 7.3 Standard combinations AXS

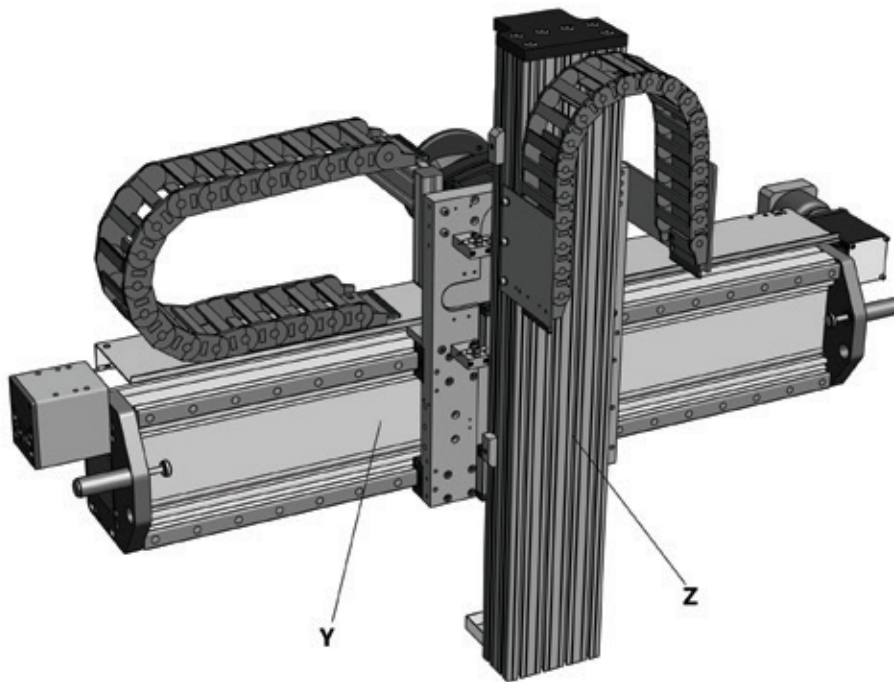


Figure 7.8 — Standard combination AXS – Lifting Axis with AXS – Gantry Axis with toothed belt drive

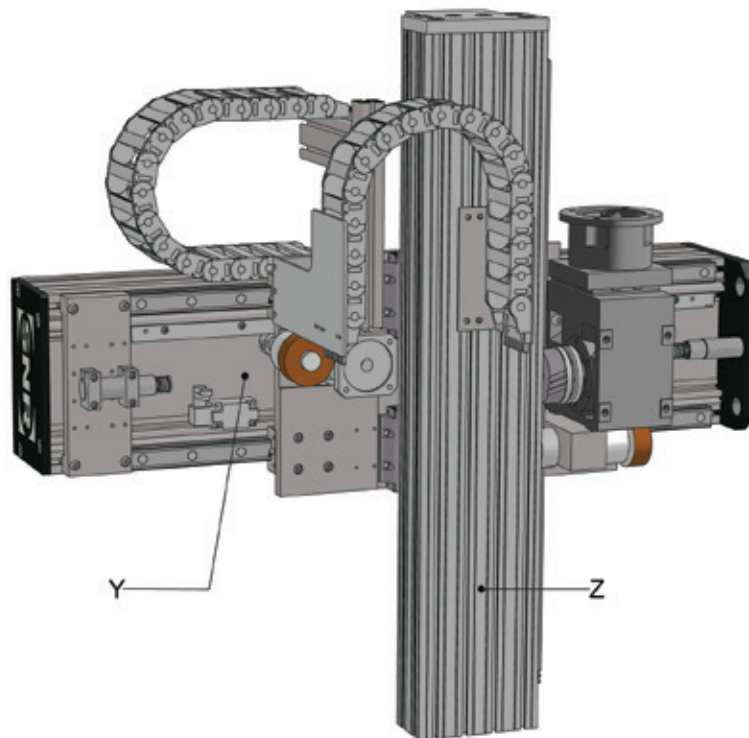


Figure 7.9 — Standard combination AXS – Lifting Axis with AXS – Gantry Axis with rack and pinion drive

Table 7.1 – shows the possible standard combinations for AXS Linear Axis.

Table 7.1 – AXS – Standard combinations

			Y - Axis					
			Toothed belt drive		Rack and pinion drive			
			AXS200Y__	AXS280Y__	AXS200MP__	AXS280MP__	AXS460MP__	AXS500MP__
Z Axis	Toothed belt / $\Omega$ - Axis	AXDL160A__	x		x			
		AXDL240A__		x		x		
		AXC120A__	x	x	x	x		
	Lifting Axis	AXS200ME__		x		x		
		AXS230MB__		x		x	x	
		AXS280MB__					x	x
	Telescopic Axis	AXS120TV__	x		x			
		AXS200TV__	x		x	x		
		AXS280TV__		x		x	x	x
	Spindle Axis	AXC100S__	x		x			
		AXC120S__	x	x	x	x		
		AXDL160S__	x		x			

Table 7.2 contains the AXS standard combinations in which the table tops of the linear axis can be mounted on table top of one another. Figure 7.10 and Table 7.3 show the dimensions of the AXS standard combinations with a common table top.

Table 7.2 – AXS - Standard combinations in which the table tops of the linear axis can be mounted on table top of one another

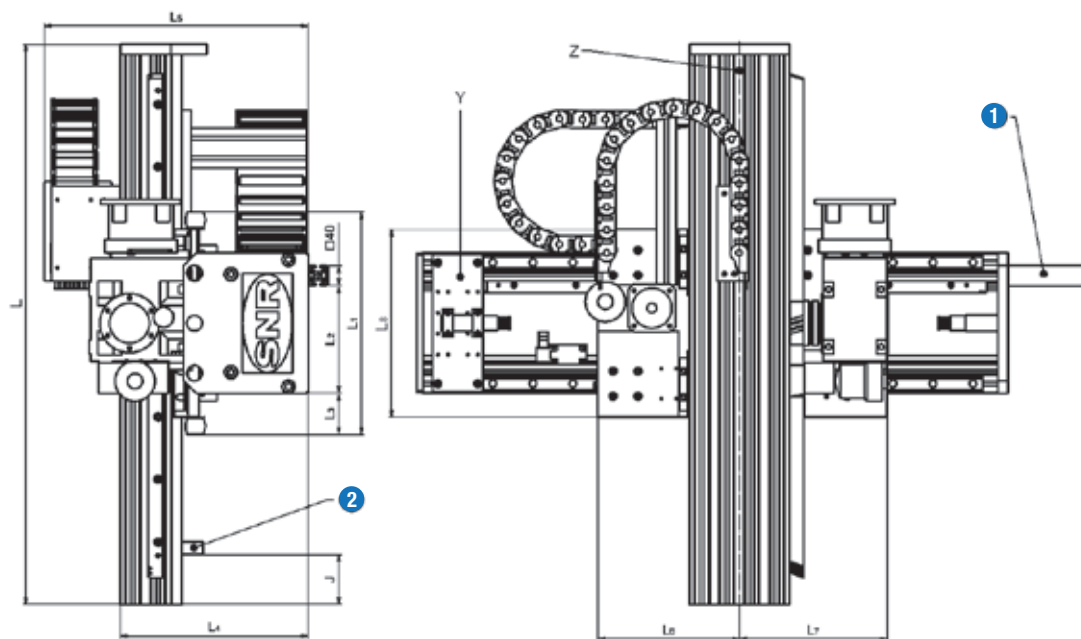
Y Axis	Z Axis	Version Z Axis
AXS200MP__ -D	AXC100S_-D	Spindle Axis
	AXC120A_-B	Parallel Axis with toothed belt / $\Omega$ drive
	AXC120S_-B	Spindle Axis
	AXS120TV_-D	Telescopic Axis
	AXDL160S_-D	Spindle Axis
	AXS200TV_-D	Telescopic Axis
AXS200Y__ -D	AXC100S_-D	Spindle Axis
	AXC120S_-B	Spindle Axis
	AXS120TV_-D	Telescopic Axis
	AXDL160A_-D	Parallel Axis with toothed belt / $\Omega$ drive
	AXDL160S_-D	Spindle Axis
	AXS200TV_-D	Telescopic Axis
AXS280Y__ -D	AXC120A_-B	Parallel Axis with toothed belt / $\Omega$ drive
	AXC120S_-B	Spindle Axis
AXS280MP__ -D	AXC120A_-B	Parallel Axis with toothed belt / $\Omega$ drive
	AXC120S_-B	Spindle Axis
	AXS280TV_-D	Telescopic Axis



Table 7.3 — Dimensions AXS – Standard combinations with common top table

Y - Axis	Z - Axis	Z - Axis version	K	L1	L2	L3	L4	L6	L7	L8
AXS200MP __ -R	AXDL160A ____-D	Parallel Axis with toothed belt / $\Omega$ drive	522	455	-	10	256	275	165	455
AXS200Y ____ -R	AXDL160A ____-D	Parallel Axis with toothed belt / $\Omega$ drive	496	429	-	20	253	165	165	429
AXS280Y ____ -R	AXS120TV ____-D	Lifting Axis	620	593	215	18	361	200	200	593
	AXS200ME ____-E	Telescopic Axis	700	680	215	51	382	200	200	610
AXS280Y ____ -S	AXS230MB ____-D	Lifting Axis	383	363	215	26	406	170	230	322
AXS280Y ____ -T	AXS280TV ____-D	Telescopic Axis	524	429	215	70	442	350	400	321
AXS280Y ____ -U	AXDL240A ____-D	Parallel Axis with toothed belt / $\Omega$ drive	500	420	215	70	480	400	400	321
AXS280MP __ -R	AXS200ME ____-G	Lifting Axis	700	680	215	51	382	350	200	610
AXS280MP __ -S	AXS230MB ____-D	Lifting Axis	449	429	215	70	442	350	380	321
AXS280MP __ -T	AXS280TV ____-D	Telescopic Axis	500	420	215	70	480	475	400	321
AXS280MP __ -U	AXDL240A ____-D	Parallel Axis with toothed belt / $\Omega$ drive	620	593	215	18	361	328	200	593
AXS460MP __ -R	AXS230MB ____-G	Lifting Axis	578	558	210	49	578	345	375	450
AXS460MP __ -S	AXS280MB ____-D	Lifting Axis	620	600	210	70	614	392	448	493
AXS460MP __ -T	AXS280TV ____-E	Telescopic Axis	672	592	210	51	625	475	400	493
AXS500MP __ -R	AXS280MB ____-D	Lifting Axis	720	700	-	100	743	492	483	593
AXS500MP __ -T	AXS280TV ____-G*	Telescopic Axis	772	692	-	100	754	475	400	593

\* on request



**S** = Stroke

**L** = S + J + K for Lifting Axis

**L** = S/2 + J + K for Telescopic Axis

- ① Driver for energy chain X - Axis
- ② Limit stop can be omitted, if the function is given by the customer application (J=0)

Figure 7.10 — Dimensions AXS – Standard combinations

## 8. Systematic

### 8.1 Type code single axis

<b>AXC</b>	<b>80</b>	<b>SN</b>	<b>G</b>	<b>2005</b>	<b>-</b>	<b>B</b>	<b>-</b>	<b>1000</b>	<b>-</b>	<b>1440</b>	<b>-</b>	<b>A</b>	<b>2</b>	<b>-</b>	<b>00</b>	<b>00</b>	<b>-</b>	<b>A</b>	<b>-</b>	<b>A</b>
1	2	3	4	5		6		7		8		9	10	11	12	13	14			

<b>1</b>	<b>AXC</b>	Series
<b>2</b>	<b>80</b>	Size
<b>3</b>	<b>SN</b>	<p><b>Drive type</b></p> <ul style="list-style-type: none"> <li><b>A:</b> Toothed belt / <math>\Omega</math> - drive</li> <li><b>E:</b> Linear motor drive</li> <li><b>GN:</b> Sliding screw drive</li> <li><b>M:</b> Rack and pinion drive</li> <li><b>NS:</b> without drive, screw base</li> <li><b>NZ:</b> without drive, toothed belt base</li> <li><b>SC:</b> Ball screw drive, right-left-hand helix with two tables</li> <li><b>SN:</b> Ball screw drive</li> <li><b>SV:</b> Ball screw drive, reinforced bearings</li> <li><b>TA:</b> Telescopic Axis, toothed belt drive in the first drive level</li> <li><b>TC:</b> Trapezodial screw drive, right-left-hand helix with two tables</li> <li><b>TH:</b> Telescopic Axis, horizontal, rack and pinion drive in the first drive level</li> <li><b>TN:</b> Trapezodial screw drive</li> <li><b>TV:</b> for AXC: Trapezodial screw drive, reinforced bearings</li> <li><b>TV:</b> for AXS: Telescopic Axis, vertical, rack and pinion drive in the first drive level</li> <li><b>Y:</b> Toothed belt drive, lateral</li> <li><b>Z:</b> Toothed belt drive</li> </ul>

4	G	<p><b>Drive version for screw drives</b></p> <p><b>C:</b> Coupling cone  <b>G:</b> Coupling cone + coupling (not for AXBG)  <b>U:</b> Deflection belt drive</p>
		<p><b>Drive version for rack and pinion drives</b></p> <p><b>B:</b> with bevel gearbox  <b>N:</b> without mounted gearbox  <b>E, P:</b> with planetary gearbox  <b>PL (PR):</b> with planetary gearbox left (right) for AXS with guiding system B, C (see Chapter 5.7.7)  <b>S:</b> with spur gearbox</p>
		<p><b>Drive version for linear motor drives</b></p> <p><b>A:</b> Motor with air cooling  <b>W:</b> Motor with water cooling</p>
		<p><b>Drive version for toothed belt drives</b></p> <p><b>EL (ER):</b> integrated planetary gearbox left (right) (not for AXS_Y)  <b>ELK (ERK):</b> integrated planetary gearbox left (right) + integrated coupling for connecting shaft right (left) (not for AXS_Y)  <b>FL (FR):</b> Drive adapter flange (direct connection drive shaft / hollow shaft) left (right)  <b>GL (GR):</b> Coupling and coupling cone left (right)  <b>GLK (GRK):</b> Coupling and coupling cone left (right) + integrated coupling for connecting shaft right (left)  <b>GBL (GBR):</b> Coupling and coupling cone, back side left (right) (only for AXS_Y)  <b>GFL (GFR):</b> Coupling and coupling cone, front side left (right) (only for AXS_Y)  <b>HL (HR):</b> Machining of the mounting surface for the drive adaption for hollow shaft version left (right)  <b>HW:</b> Hollow shaft (not for AXF_Z)  <b>KL (KR):</b> integrated coupling for main drive pinion side, left (right)  <b>KLK (KRK):</b> integrated coupling for main drive pinion side, left (right) + integrated coupling for connecting shaft right (left)  <b>PL (PR):</b> Integrated planetary gearbox with low-backlash left (right) (not for AXS_Y)  <b>PLK (PRK):</b> Integrated planetary gearbox with low-backlash left (right) + integrated coupling for connecting shaft right (left) (not for AXS_Y)  <b>PBL (PBR):</b> integrated planetary gearbox with low-backlash, rear side left (right) (only for AXS_Y)  <b>PFL (PFR):</b> integrated planetary gearbox with low-backlash, front side left (right) (only for AXS_Y)  <b>TL (TR):</b> Plug-in planetary gearbox left (right)  <b>TLK (TRK):</b> Plug-in planetary gearbox left (right) + integrated coupling for connecting shaft right (left)  <b>WL (WR):</b> Free drive shaft left (right)  <b>WD:</b> Free drive shaft, on both sides</p>
5	2005	<p><b>Size index for toothed belt drive</b></p> <p>Drive version <b>F</b> and <b>H</b>... shaft or hollow shaft diameter  Drive version <b>K</b> and <b>G</b>... inner diameter of the coupling for the main drive pinion side  Drive version <b>E, P</b> and <b>S</b>... gear ratio (for the versions <b>_LK</b> and <b>_RK</b> is also to indicate the gear ratio and not the diameter of the coupling)</p> <hr/> <p><b>Size index for screw drive</b></p> <p>Screw diameter + pitch [mm]</p> <hr/> <p><b>Size index for rack and pinion drive</b></p> <p>Gear ratio</p> <hr/> <p><b>Size index for linear motor drive</b></p> <p>Peak force of the linear motor [N]</p>

6	B	<b>Guiding system (not for AXBG)</b> <b>A:</b> Linear guide, short table <b>B:</b> Linear guide, standard table <b>C:</b> Linear guide, long table <b>D:</b> Two parallel linear guides, standard table <b>E:</b> Two parallel linear guides, long table <b>F:</b> Without guiding system (feeding axis), standard table <b>G:</b> Two parallel linear guides, extra long table <b>H:</b> wo parallel linear guides, wide table <b>L:</b> Track roller guide, standard table <b>M:</b> Track roller guide, long table <b>P:</b> Polymer track roller guide, standard table <b>R...U:</b> Two parallel Linear Guides, without top table for direct combination with a table of an additional Linear Axis
		<b>Guiding system AXBG</b> <b>A:</b> One carriage, long <b>B:</b> Two carriages, long <b>C:</b> One carriage,short <b>D:</b> Two carriages, short
7	1000	Stroke [mm]
8	1440	<b>Total length [mm]</b> Stroke + additional length according catalogue description (for AXBG profile length)
9	A	<b>Configuration versions / Protection against pollution</b> <b>0:</b> Without options <b>A...Z:</b> see Chapter 8.3.1
10	2	<b>Additional options for screw drive axis (not for AXLT, AXBG)</b> <b>0:</b> Without screw drive support units <b>1...4:</b> Number of screw drive support units
		<b>AXS with hydraulic shock absorber</b> <b>A...H:</b> Index for shock absorber version <b>AXBG</b> <b>N:</b> Normal precision <b>P:</b> P precision
11	00	<b>Switch combination left</b> See Chapter 6.3
12	00	<b>Switch combination right</b> See Chapter 6.3
13	0	<b>Drive adaption</b> <b>0:</b> no drive adaption <b>A...Z:</b> see Chapter 6.2.3, 6.2.4
14	0	<b>Special version</b> <b>0:</b> without special options <b>A...Z:</b> According to drawing or text description (Index (A... Z) is given from NTN-SNR)

**X:** Index for special options at all positions in the type code

## 8.2 Type code axis systems

<b>AS</b>	<b>-</b>	<b>80</b>	<b>Z</b>	<b>-</b>	<b>120</b>	<b>Z</b>	<b>-</b>	<b>80</b>	<b>A</b>	<b>-</b>	<b>X</b>	<b>1000</b>	<b>-</b>	<b>Y</b>	<b>800</b>	<b>-</b>	<b>Z</b>	<b>400</b>	<b>-</b>	<b>0</b>
1		2	3		4	5		6	7		8	9		10	11		12	13		14

Consisting of: 15

X – Axis 1  
1 x AXC80ZP\_K\_-...  
Planetary gearbox.....

X – Axis 2  
1 x AXC80ZK\_28\_-...  
Coupling.....

Connecting shaft  
1 x AX – VBW – 28 -...

Y – Axis  
1 x AXC120ZP\_\_-...  
Planetary gearbox.....

Direct connection  
2 x AXC – Direct connection – 80 -200

Z – Axis  
1 x AXC80AP\_-...  
Planetary gearbox.....

A-Standard connection  
AX-A-Standard connection-120-80

<b>1</b>	<b>AS</b>	Axis system <sup>1</sup>
<b>2</b>	<b>80</b>	Size of the first axis
<b>3</b>	<b>Z</b>	Drive version of the first axis
<b>4</b>	<b>120</b>	Size of the second axis
<b>5</b>	<b>Z</b>	Drive version of the second axis
<b>6</b>	<b>80</b>	Size of the third axis
<b>7</b>	<b>A</b>	Drive version of the third axis
<b>8</b>	<b>X</b>	Designation of the first axis
<b>9</b>	<b>1000</b>	Stroke of the first axis
<b>10</b>	<b>Y</b>	Designation of the second axis
<b>11</b>	<b>800</b>	Stroke of the second axis
<b>12</b>	<b>Z</b>	Designation of the third axis
<b>13</b>	<b>400</b>	Stroke of the third axis
<b>14</b>	<b>0</b>	<b>Special version</b> <b>0:</b> without special options <b>A...Z:</b> According to drawing or text description (Index (A...Z) is given from NTN-SNR)
<b>15</b>	<b>.....</b>	List of type code of all components and the description of all single components

<sup>1</sup>Axis systems contain all specified Linear Axis and accessories.

An Linear Axis system is not necessarily a completely assembled system due to the dimensions.

## 8.3 Options

### 8.3.1 Configuration versions

For SNR Linear Axis are a variety of configuration versions (Table 8.1) available, which can be specified by the type code.

Table 8.1 — Configuration versions

Index	Appication conditions	Operational area	Configuration version
<b>O</b>	Low level of pollution	General engineering	Without
<b>A</b>	Slight polution, grit	General engineering	Plastic cover strip and additional AXC: brush wiper AXF: lip wiper AXDL: side and inner seal
<b>B</b>	Radiant heat, optical reason	Thermal processes, medical engineering, soldering installation, oven areas	Metal cover strip, lip wiper
<b>C</b>	Slight polution	General engineering	Cover plate
<b>D</b>	Dust, cooling lubricant, chips	Immediante environment of processing machines	Plastic cover strip, side seal, felt wiper (AXDL additional with inner seal)
<b>F</b>	Strong pollution	Wood and metal processing machines	Bellow
<b>G</b>	very high assembling tolerances	General engineering	Table with fixed tolerance compensation system
<b>H</b>	very high assembling tolerances	General engineering	Table with activatable tolerance compensation system
<b>K</b>	Strong pollution	Wood and metal processing machines, building materials industry	Plastic cover strip (cover strip guiding by bearings with seals), side seal, felt wiper (AXDL additional with inner seal)
<b>M</b>	Radiant heat, strong pollution, hot chips, spatter	Inside of matal processing machines, welding machines	Metal cover strip, lip wiper, side seal
<b>Q</b>	Clean environmental conditions, low corrosion protection against surface rust	Laboratory environment, medical engineering, food packaging	Plastic cover strip (cover strip guiding by bearings with shields), outside placed steel parts with coating or stainless
<b>R</b>	Humid environmental conditions, corrosion protection necessary	Food production, paper industry, application with strong temperature variation and condensation, application with base or acids	Plastic cover strip, lip wiper, side seal, outside placed steel parts stainless, stainless bearings with seals, inside placed steel parts with coating or stainless, guiding elements corrosion resistant or with coating, special greasing with SNR LUB FOOD
<b>S</b>	Wash down version	Cleaning or production with aqueous solutions under high pressure, media can pass into the interior region, application in the outdoor area	Plastic cover strip, lip wiper, side seal, outside placed steel parts stainless, stainless bearings with seals, inside placed steel parts stainless or carbonitrided, polymer track roller guide, sliding screw, maintenance free
<b>U</b>	Clean room	Semiconductor and electronic industry	Plastic cover strip, outside placed steel parts with coating or stainless, stainless bearings with shields, special greasing with Klübersynth BEM34-32
<b>X</b>			Special version

The possible configuration versions of the Linear Axis are depending on series, size, driving and guiding system. In the Tables 8.2 to 8.4 are the possible versions summarized.

The standard versions marked with "S" are the basic versions and must be specified in the type code of the respective Linear Axis.

Table 8.2 — Configuration versions AXC / AXF

Type	Drive system	Guiding system	O	A	B	C	D	F	K	M	Q	R	S	U	X	
<b>AXC40</b>	A	B	S	-	-	-	-	-	-	-	-	-	-	-	X	
	S	B	x	S	-	-	-	-	-	-	X	-	-	-	X	
	T	B	x	S	-	-	-	-	-	-	X	-	-	-	X	
	Z	L	S	-	-	-	-	-	-	-	-	-	-	-	X	
<b>AXC60</b>	A	B	S	-	-	-	-	-	-	-	-	-	-	-	X	
		L	S	-	-	-	-	-	-	-	-	-	-	-	X	
	S	B,C	x	S	-	-	-	-	-	X	-	X	-	-	X	X
		L	x	S	-	-	-	-	-	X	-	X	-	-	-	X
	T	B,C	x	S	-	-	-	-	-	X	-	X	-	-	-	X
		L	x	S	-	-	-	-	-	X	-	X	-	-	-	X
	Z	B	S	x	-	-	-	-	-	X	-	X	-	-	X	X
		L	S	x	-	-	-	-	-	X	-	X	-	-	-	X
<b>AXC80</b>	A	B	S	-	-	-	-	-	-	-	-	-	-	-	X	
		L	S	-	-	-	-	-	-	-	-	-	-	-	X	
	S	A,B	x	S	-	-	-	-	-	X	-	X	-	-	X	X
		F	x	S	-	-	-	-	-	X	-	X	-	-	-	X
	T	B	x	S	-	-	-	-	-	X	-	X	-	-	-	X
		F	x	S	-	-	-	-	-	X	-	X	-	-	-	X
	L	x	S	-	-	-	-	-	-	X	-	X	-	-	-	X
		B,C	S	x	-	-	-	-	-	X	-	X	-	-	X	X
L	S	x	-	-	-	-	-	X	-	X	-	-	-	X		
<b>AXC100</b>	S	D	x	S	x	-	X	-	X	X	X	X	-	X	X	
	T	D	x	S	x	-	X	-	X	X	X	X	-	-	X	
	Z	B,C,D	S	x	x	-	X	-	X	X	X	X	-	X	X	
		L	S	x	x	-	X	-	X	X	X	X	-	-	X	
<b>AXC120</b>	A	B	S	-	-	-	-	-	-	-	-	-	-	-	X	
		L	S	-	-	-	-	-	-	-	-	-	-	-	X	
	S	B	x	S	-	-	-	-	-	X	-	X	-	-	X	X
		L	x	S	-	-	-	-	-	X	-	X	-	-	-	X
	T	B	x	S	-	-	-	-	-	X	-	X	-	-	-	X
		L	x	S	-	-	-	-	-	X	-	X	-	-	-	X
	Z	B,C	S	x	-	-	-	-	-	X	-	X	-	-	X	X
		L,M	S	x	-	-	-	-	-	X	-	X	-	-	-	X
<b>AXF100</b>	G	P	-	S	x	-	X	-	X	X	X	X	X	-	X	
	S	D	x	S	x	-	X	-	X	X	X	X	-	X	X	
	T	D	x	S	x	-	X	-	X	X	X	X	X	-	-	X
		P	-	S	x	-	X	-	X	X	X	X	X	X	-	X
	Z	B,C,D	x	S	x	-	X	-	X	X	X	X	X	-	X	X
		P	-	S	x	-	X	-	X	X	X	X	X	X	-	X

S: Standard version  
x: Special option possible  
-: Option not possible

Table 8.3 — Configuration versions AXDL

Type	Drive system	Guiding system	0	A	B	C	D	F	K	M	Q	R	S	U	X
AXDL110	D	x	S	-	-	x	-	-	x	x	-	-	x	x	x
	D	x	S	-	-	x	-	-	x	x	-	-	-	x	x
	D	x	S	-	-	x	-	-	x	x	-	-	x	x	x
AXDL160	D	x	S	-	-	x	-	-	x	x	-	-	-	x	x
		L	x	S	-	-	x	-	x	-	x	-	-	-	x
	D	x	S	-	-	x	-	-	x	x	-	-	x	x	x
	D	x	S	-	-	x	-	-	x	x	-	-	-	x	x
	D	x	S	-	-	x	-	-	x	x	-	-	x	x	x
		L	x	S	-	-	x	-	x	-	x	-	-	-	x
AXDL240	D	x	S	-	-	x	-	-	x	x	-	-	-	x	x
		L	x	S	-	-	x	-	x	-	x	-	-	-	x
	D, E	x	S	-	-	x	-	-	x	x	-	-	x	x	x
	D, E	x	S	-	-	x	-	-	x	x	-	-	-	x	x
	D, E	x	S	-	-	x	-	-	x	x	-	-	x	x	x
		L	x	S	-	-	x	-	x	-	x	-	-	-	x

S: Standard version  
 x: Special option possible  
 -: Option not possible

Table 8.4 — Configuration versions AXLT / AXBG / AXLM / AXS

Type	Drive system	Guiding system	0	A	B	C	D	F	G	H	K	M	Q	R	S	U	X
AXLT155	T	D, E	S	-	-	-	-	x	-	-	-	-	x <sup>1</sup>	-	-	-	x
	S	D, E	S	-	-	-	-	x	-	-	-	-	x <sup>1</sup>	-	-	(x)	x
AXLT225	T	D, E	S	-	-	-	-	x	-	-	-	-	x <sup>1</sup>	-	-	-	x
	S	D, E	S	-	-	-	-	x	-	-	-	-	x <sup>1</sup>	-	-	(x)	x
AXLT325	T	D, E	S	-	-	-	-	x	-	-	-	-	x <sup>1</sup>	-	-	-	x
	S	D	S	-	-	-	-	x	-	-	-	-	x <sup>1</sup>	-	-	(x)	x
AXLT455	T	D	S	-	-	-	-	x	-	-	-	-	x <sup>1</sup>	-	-	-	x
	S	A, B	S	-	-	x	-	(x)	-	-	-	-	x <sup>1</sup>	-	-	(x)	x
AXBG15	S	A, B	S	-	-	x	-	(x)	-	-	-	-	x <sup>1</sup>	-	-	(x)	x
AXBG20	S	A, B	S	-	-	x	-	(x)	-	-	-	-	x <sup>1</sup>	-	-	(x)	x
AXBG26	S	A, B, C, D	S	-	-	x	-	(x)	-	-	-	-	x <sup>1</sup>	-	-	(x)	x
AXBG33	S	A, B, C, D	S	-	-	x	-	(x)	-	-	-	-	x <sup>1</sup>	-	-	(x)	x
AXBG46	S	A, B	S	-	-	x	-	(x)	-	-	-	-	x <sup>1</sup>	-	-	(x)	x
AXBG55	E	D, E	S	-	-	x	-	x	-	-	-	-	x <sup>1</sup>	-	-	(x)	x
AXLM155	E	D, E	S	-	-	x	-	x	-	-	-	-	x <sup>1</sup>	-	-	(x)	x
AXLM225	E	D, E	S	-	-	x	-	x	-	-	-	-	x <sup>1</sup>	-	-	(x)	x
AXLM325	E	D, E	S	-	-	x	-	x	-	-	-	-	x <sup>1</sup>	-	-	(x)	x
AXS110	TA	D	S	-	-	-	-	-	-	-	-	-	x <sup>1</sup>	-	-	-	x
AXS120	M	B, C	-	-	-	-	-	-	x	x	-	-	-	-	-	-	x
	TH, TV	D	S	-	-	-	-	-	-	-	-	-	x <sup>1</sup>	-	-	-	x
AXS200	M	D, R	S	-	-	-	-	-	-	-	-	-	x <sup>1</sup>	-	-	-	x
	TH, TV	D	S	-	-	-	-	-	-	-	-	-	x <sup>1</sup>	-	-	-	x
	Y	D	S	-	-	-	-	-	-	-	-	-	x <sup>1</sup>	-	-	-	x
AXS230	M	D, E, G	S	-	-	-	-	-	x	x	-	-	-	-	-	-	x
AXS240	M	D, E	S	-	-	-	-	-	-	-	-	-	x <sup>1</sup>	-	-	-	x
AXS280	M	D, R, S, T, U	S	-	-	-	-	-	-	-	-	-	x <sup>1</sup>	-	-	-	x
	TH, TV	D	S	-	-	-	-	-	-	-	-	-	x <sup>1</sup>	-	-	-	x
	Y	D, E	S	-	-	-	-	-	-	-	-	-	x <sup>1</sup>	-	-	-	x
	Z	D	S	-	-	-	-	-	-	-	-	-	x <sup>1</sup>	-	-	-	x
AXS300	M	B	-	-	-	-	-	x	x	-	-	-	-	-	-	x	
AXS460	M	R, S, T	S	-	-	-	-	-	-	-	-	-	x <sup>1</sup>	-	-	-	x
AXS500	M	R, T	S	-	-	-	-	-	-	-	-	-	x <sup>1</sup>	-	-	-	x

S: Standard version  
 x: Special option possible  
 (x): Option conditionally possible, please contact NTN-SNR  
 -: Option not possible

<sup>1</sup> - without cover strip



### 8.3.2 Safety options

Depending on series, size and drive type is it possible to equip the Linear Axis with additional safety options. The possible options are not always useful and available for all sizes of a series.

As safety options the following versions are possible:

- Safety nut for vertical axis with ball screw drive
- Safety break (Chapter 6.9) for vertical axis (Figure 8.1)
- Collision protection for vertical axis with ball screw drive

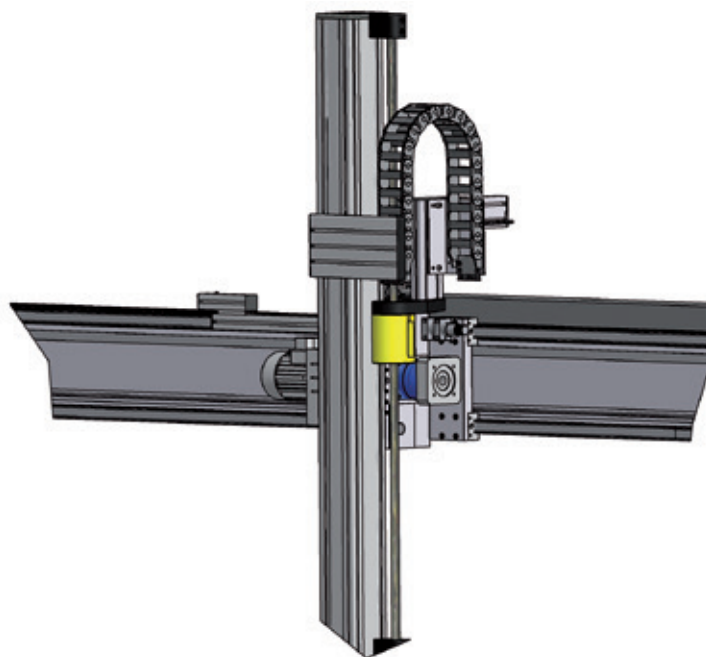


Figure 8.1 — Lifting - Axis with safety break

This options can only be selected after consultation from one of our NTN-SNR application engineers.

## 9. Special solutions

In addition to the standard program, a variety of customized special solutions could be realized with the SNR Linear Axis. Our application and design engineers develop together with the customers high quality solutions with high efficiency and high user benefits.

For more information please contact our NTN-SNR - application engineers.

Below are some examples of typical special solutions are presented.

### Linear Axis with several sliders (Figure 8.2 and 8.3)



Figure 8.2 — AXC\_Z with several sliders



Figure 8.3 — AXS280M with several sliders

Depending on the type of Linear Axis different solutions can be implemented here.

#### AXC and AXLT with screw drive

- One mechanical powered slider, arbitrary sliders without powering
- Several mechanical powered slider
- Two slider moving in the opposite direction, powered by a right hand – left hand screw drive

#### AXDL with toothed belt drive

- One mechanical powered slider, arbitrary sliders without powering

#### AXC and AXS with toothed belt drive

- Several sliders with fixed distances

#### AXC with Toothed belt / $\Omega$ - drive, AXS with rack and pinion drive, AXLM

- Several independent moving sliders

### Linear Axis with in the oposite direction moving sliders (Figure 8.4)

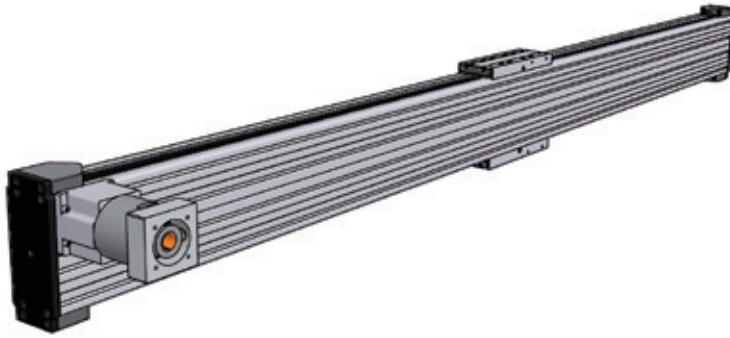


Figure 8.4 — AXC\_Z with in the oposite direction moving sliders

With this solution it is possible to move and position two sliders in opposite directions by one toothed belt. The solution is suitable for example for loading and unloading of two parallel conveyor belts.

### Linear Axis AXC40Z with sliding guide (Figure 8.5)

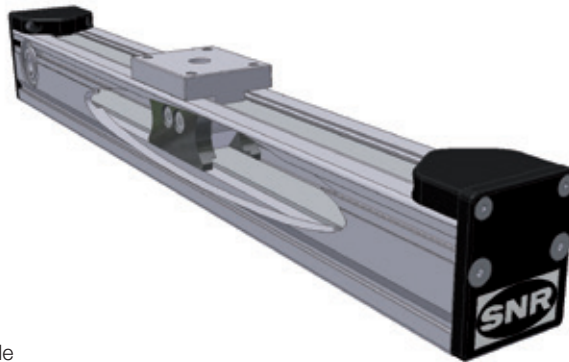


Figure 8.5 — AXC40Z with sliding guide

A cost-effective alternative to standard Linear Axis is a version of the Linear Axis with toothed belt drive and sliding guide. This robust and compact version is characterized by lower own weight. Other advantages, such as maintenance friendly, minimal operating noise and smooth running without lubricant allow the use linear axis in various applications.

Linear Axis with ball bushings (Figure 8.6 and 8.7)

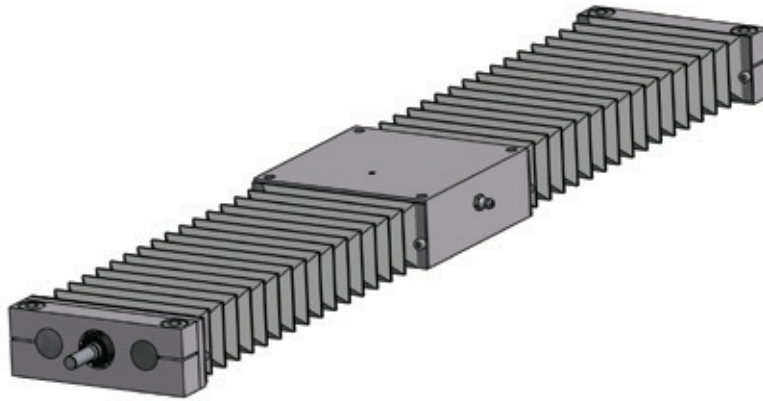
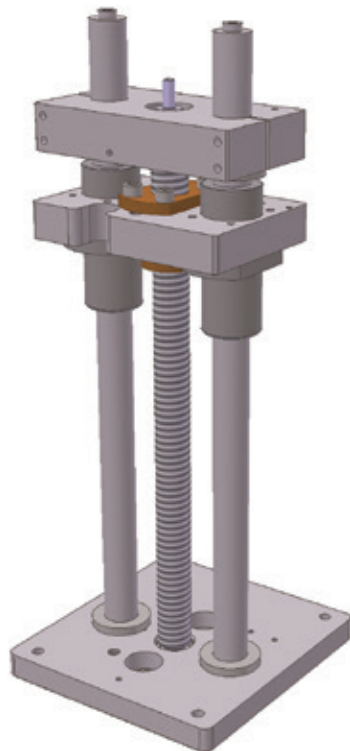


Figure 8.6 — AXLB\_T Ball bushing table with trapezoidal screw drive

At low loads ball bushings tables are a cost-efficient alternative to linear tables. As drive element is the use of ball screws or trapezoidal screws possible.



Here is shown a ball bushing table as a special design according. The guiding is realized by two shafts with middle flange ball bushings. Drive element is a trapezoidal screw. The bearing units of the screw drive and the housing of the nut are simultaneous considerate function elements of the customer application. This results in a cost-effective solution with minimized moving masses.

Figure 8.7 — AXLX\_T Ball bushing table - Special Special design with trapezoidal screw drive

# 10. Type list

Table 10.1 — Type list

Type code	Designation	Page
AX-AC-ACU-...	Angle connection	186 - 197
AX-AC-CCU-...	Cross connection	181 - 182
AX-AC-CHS-...	Connecting shaft	189 - 190
AX-AC-DCU-...	Direct connection	179 - 180
AX-AC-FEL-...	Fastening element for AXF	175
AX-AC-FST-...	Fastening strip	174 - 175
AX-AC-GCU-...	Gantry connection	183 - 184
AX-AC-GIN-...	Groove insert	218
AX-AC-GIN-...-AL	Aluminum groove insert	218
AX-AC-GIN-...-PP	Plastic groove insert	218
AX-AC-GSL-...	Gantry support leg	216 - 218
AX-AC-HNU-...	Hammer nut	178
AX-AC-HSC-...	Hammer screw	178
AX-AC-SBL-....	Sliding block	176 - 177
AX-AC-SCU-...	A - Standard connection	184 - 185
AXBG...	Precision Axis	113 - 130
AXBG...S	Precision Axis with ball screw drive	113 - 130
AXC...	Compact Axis	54 - 78
AXC...A	Compact Axis with toothed belt / $\Omega$ - drive	73 - 78
AXC...S	Compact Axis with ball screw drive	61 - 72
AXC...T	Compact Axis with trapezoidal screw drive	61 - 72
AXC...Z	Compact Axis toothed belt drive	54 - 60
AXC-SP-...-WPS	Wear Part Set	45
AXDL...	Parallel Axis	86 - 102
AXDL...A	Parallel Axis with toothed belt / $\Omega$ - drive	99 - 103
AXDL...S	Parallel Axis with ball screw drive	91 - 98
AXDL...T	Parallel Axis with trapezoidal screw drive	91 - 98
AXDL...Z	Parallel Axis with toothed belt drive	86 - 90
AXF...	Compact Axis	79 - 85
AXF...G	Compact Axis with sliding screw	82 - 85
AXF...S	Compact Axis with ball screw drive	82 - 85
AXF...T	Compact Axis with trapezoidal screw drive	82 - 85
AXF...Z	Compact Axis toothed belt drive	79 - 81
AXLM...	Linear Motor Axis	165 - 173
AXLM...E	Linear Motor Axis	165 - 173
AXLT...	Linear Table Axis	103 - 112
AXLT...S	Linear Table Axis with ball screw drive	103 - 112
AXLT...T	Linear Table Axis with trapezoidal screw	103 - 112
AXS...	System Program Axis	131 - 164
AXS...M	Lifting Axis with rack and pinion drive	134 - 138
AXS...M	Gantry Axis with rack and pinion drive	139 - 144
AXS...M	System Program Axis for parallel use with rack and pinion drive	131 - 133
AXS...TA	Telescopic Axis with toothed belt drive	131 - 133
AXS...TH	Telescopic Axis with rack and pinion drive / toothed belt drive, horizontal	145 - 152
AXS...TV	Telescopic Axis with rack and pinion drive / toothed belt drive, vertical	145 - 152
AXS...Y	System Program Axis with lateral toothed belt drive	154 - 157
AXS...Z	System Program Axis with toothed belt drive	158 - 160
AX-SP-CST-...	Cover Strip (Spare Part)	47
AX-SP-...-KIT-S...	Sealing kit (Spare Part)	47

Table 10.2 — ID - Number list

ID number	Type code	Designation	Chapter
101632	AX-AC-GIN-8-2000-PP	Groove insert, plastic	6.6
101822	AX-AC-GIN-8-3000L-AL	Groove insert, aluminum	6.6
101832	AX-AC-GIN-6-2000L-PP	Groove insert, plastic	6.6
101841	AX-AC-GIN-6-2000-AL	Groove insert, aluminum	6.6
101842	AX-AC-GIN-5-2000-PP	Groove insert, plastic	6.6
103749	AX-AC-SBL-DIN508-14-M12-S	Sliding block, design type S	6.1.2
103753	AX-AC-SBL-8ST-M5-S	Sliding block, design type S	6.1.2
103755	AX-AC-SBL-8ST-M6-S	Sliding block, design type S	6.1.2
103758	AX-AC-SBL-5-M3-R-Zi	Sliding block, design type R	6.1.2
103759	AX-AC-SBL-6-M4-R-Zi	Sliding block, design type R	6.1.2
103760	AX-AC-SBL-12ST-M10-S	Sliding block, design type S	6.1.2
103761	AX-AC-SBL-8-M5-R-Zi	Sliding block, design type R	6.1.2
103763	AX-AC-SBL-8ST-M4-E	Sliding block, design type E	6.1.2
103764	AX-AC-SBL-DIN508-14-M8-S	Sliding block, design type S	6.1.2
104481	AX-AC-FST-80x22-2	Fastening strip	6.1.1
104481	AX-AC-FST-80x22-2	Fastening strip	6.1.1
104481	AX-AC-FST-80x22-2	Fastening strip	6.1.1
108075	AX-AC-FST-70x20-2	Fastening strip	6.1.1
108579	AX-AC-FST-40x10-3	Fastening strip	6.1.1
108663	AX-AC-FST-40x13-2	Fastening strip	6.1.1
108961	AX-AC-SBL-8ST-M8-S	Sliding block, design type S	6.1.2
108962	AX-AC-SBL-8ST-M8-E	Sliding block, design type E	6.1.2
108963	AX-AC-SBL-8ST-M6-E	Sliding block, design type E	6.1.2
109066	AX-AC-SBL-5ST-M3-E	Sliding block, design type E	6.1.2
109067	AX-AC-SBL-12ST-M8-S	Sliding block, design type S	6.1.2
109070	AX-AC-SBL-5ST-M5-E	Sliding block, design type E	6.1.2
109073	AX-AC-SBL-5ST-M4-E	Sliding block, design type E	6.1.2
109090	AX-AC-SBL-8-M4-R-Zi	Sliding block, design type R	6.1.2
109091	AX-AC-SBL-6ST-M6-E	Sliding block, design type E	6.1.2
109093	AX-AC-SBL-6ST-M5-E	Sliding block, design type E	6.1.2
109094	AX-AC-SBL-6ST-M4-E	Sliding block, design type E	6.1.2
110236	AX-AC-FST-78x22-2	Fastening strip	6.1.1
110236	AX-AC-FST-78x22-2	Fastening strip	6.1.1
110236	AX-AC-FST-78x22-2	Fastening strip	6.1.1
111181	AX-AC-FST-120x22-3	Fastening strip	6.1.1
111181	AX-AC-FST-120x22-3	Fastening strip	6.1.1
111181	AX-AC-FST-120x22-3	Fastening strip	6.1.1
139275	AX-AC-SBL-5ST-M5-E-A2	Sliding block, design type E	6.1.2
146277	AX-AC-GCU-80-80	Gantry connection	6.1.6
149812	AX-AC-SBL-8-ST-M8-F	Sliding block, design type F	6.1.2
150822	AX-AC-FST-47x7-2	Fastening strip	6.1.1
150999	AX-AC-FST-68x9-2	Fastening strip	6.1.1
150999	AX-AC-FST-68x9-2	Fastening strip	6.1.1
152388	AX-AC-SCU-120-80	A Standard connection	6.1.7
153844	AX-AC-80Z-COU-CHS-28	Coupling set for connecting shaft	6.2.2
156300	AX-AC-SCU-80-60	A Standard connection	6.1.7
156301	AX-AC-40Z-COU-CHS-14	Coupling set for connecting shaft	6.2.2
156303	AX-AC-120Z-COU-CHS-38	Coupling set for connecting shaft	6.2.2

ID number	Type code	Designation	Chapter
158840	AX-AC-CCU-80-60	Cross connection	6.1.5
160364	AX-AC-GCU-60-80	Gantry connection	6.1.6
160635	AX-AC-CCU-60-60	Cross connection	6.1.5
163391	AX-AC-CCU-240-240	Cross connection	6.1.5
164317	AX-AC-GCU-120-280	Gantry connection	6.1.6
167332	AX-AC-DCU-80-160	Direct connection	6.1.4
169154	AX-AC-GCU-80-160	Gantry connection	6.1.6
169160	AX-AC-CCU-160-80	Cross connection	6.1.5
170469	AX-AC-DCU-120-120	Direct connection	6.1.4
172106	AX-AC-GCU-120-240	Gantry connection	6.1.6
172533	AX-AC-CCU-240-120	Cross connection	6.1.5
173183	AX-AC-GCU-80-120	Gantry connection	6.1.6
173218	AX-AC-GIN-10-2000-AL	Groove insert, aluminum	6.6
173421	AX-AC-DCU-60-110	Direct connection	6.1.4
183942	AX-AC-SBL-8-ST-M6-F	Sliding block, design type F	6.1.2
186015	AX-AC-CCU-155-155	Cross connection	6.1.5
187412	AX-AC-DCU-240-240	Direct connection	6.1.4
187419	AX-AC-CCU-120-80	Cross connection	6.1.5
190012	AX-AC-GCU-60-60	Gantry connection	6.1.6
190214	AX-AC-SCU-160-80	A Standard connection	6.1.7
202918	AXC-SP-160-KIT-S240	Sealing kit	4.10
203039	AXC-SP-160-KIT-S280	Sealing kit	4.10
203213	AX-AC-SBL-8ST-M8-S-A2	Sliding block, design type S	6.1.2
203255	AXC-SP-240-KIT-S330	Sealing kit	4.10
203392	AX-AC-SBL-6ST-M6-E-A2	Sliding block, design type E	6.1.2
203549	AXC-SP-110-KIT-S215	Sealing kit	4.10
205685	AX-AC-DCU-60-80	Direct connection	6.1.4
207896	AX-AC-DCU-80-120	Direct connection	6.1.4
207936	AX-AC-DCU-110-110	Direct connection	6.1.4
230147	AX-AC-DCU-60-60	Direct connection	6.1.4
230361	AX-AC-GCU-60-110	Gantry connection	6.1.6
244721	AX-AC-SCU-240-120	A Standard connection	6.1.7
245182	AX-AC-DCU-455-325	Direct connection	6.1.4
248768	AX-AC-DCU-240-160	Direct connection	6.1.4
250762	AX-AC-DCU-40-40	Direct connection	6.1.4
252537	AX-AC-CCU-110-60	Cross connection	6.1.5
253556	AX-AC-CCU-80-80	Cross connection	6.1.5
253949	AX-AC-GCU-80-240	Gantry connection	6.1.6
254152	AXC-SP-80-A-WPS	Wear part set for configuration version A	4.10
255069	AX-AC-SBL-6-ST-M4-F	Sliding block, design type F	6.1.2
255070	AX-AC-SBL-6-ST-M6-F	Sliding block, design type F	6.1.2
256449	AX-AC-ACU-Y240-Z160P	Angle connection	6.1.8
257256	AXC-SP-120-A-WPS	Wear part set for configuration version A	4.10
258120	AXC-SP-60-A-WPS	Wear part set for configuration version A	4.10
258785	AX-AC-SBL-8-ST-M5-F	Sliding block, design type F	6.1.2
259405	AX-AC-CCU-110-110	Cross connection	6.1.5
259861	AX-AC-GCU-120C-280	Gantry connection	6.1.6
261642	AX-AC-DCU-155-155	Direct connection	6.1.4
262080	AX-AC-CCU-225-155	Cross connection	6.1.5
262988	AX-AC-ACU-X240-Y240	Angle connection	6.1.8

ID number	Type code	Designation	Chapter
262991	AX-AC-CCU-325-225	Cross connection	6.1.5
264974	AX-AC-CCU-160-160	Cross connection	6.1.5
265454	AX-AC-GCU-60-160	Gantry connection	6.1.6
265455	AX-AC-CCU-160-60	Cross connection	6.1.5
267710	AX-AC-ACU-Y160-Z110T	Angle connection	6.1.8
268344	AX-SP-110-A-WPS	Wear part set for configuration version A	4.10
268345	AX-SP-160-A-WPS	Wear part set for configuration version A	4.10
268346	AX-SP-240-A-WPS	Wear part set for configuration version A	4.10
268606	AX-AC-SCU-110-60	A Standard connection	6.1.7
269049	AX-AC-ACU-Y160-Z110P	Angle connection	6.1.8
270252	AX-AC-ACU-240-240	Angle connection	6.1.8
281274	AX-AC-DCU-110-60	Direct connection	6.1.4
284121	AX-AC-100Z-COU-CHS-38	Coupling set for connecting shaft	6.2.2
286227	AX-AC-ACU-X160-Y110P	Angle connection	6.1.8
288848	AX-AC-DCU-160-80	Direct connection	6.1.4
288945	AX-AC-DCU-240-120	Direct connection	6.1.4
288999	AXC-SP-240-KIT-S500	Sealing kit	4.10
289073	AX-AC-SBL-5ST-M4-E-A2	Sliding block, design type R	6.1.2
290188	AX-AC-DCU-325-325	Direct connection	6.1.4
292876	AX-AC-60Z-COU-CHS-22	Coupling set for connecting shaft	6.2.2
299881	AX-AC-SCU-60-40	A Standard connection	6.1.7
305211	AX-AC-GCU-40-60	Gantry connection	6.1.6
306559	AX-AC-ACU-X160-Y160	Angle connection	6.1.8
306666	AX-AC-ACU-160-160-2	Angle connection	6.1.8
308879	AX-AC-DCU-160-160	Direct connection	6.1.4
311633	AX-AC-CCU-120-120	Cross connection	6.1.5
315714	AX-AC-DCU-225-225	Direct connection	6.1.4
327403	AX-AC-SCU-110-40	A Standard connection	6.1.7
328149	AX-AC-HSC-8M8x30	Hammer screw	6.1.3
329494	AX-AC-CCU-240-160	Cross connection	6.1.5
351593	AX-AC-CCU-160-110	Cross connection	6.1.5
352103	AX-AC-DCU-225-155	Direct connection	6.1.4
353280	AX-AC-SBL-6-ST-M5-F	Sliding block, design type F	6.1.2
357642	AX-AC-DCU-160-110	Direct connection	6.1.4
363425	AX-AC-ACU-Y110-Z110	Angle connection	6.1.8
371439	AX-AC-FEL-48x39-1	Fastening element	6.1.1
372088	AX-AC-HSC-8M8x40	Hammer screw	6.1.3
373054	AX-AC-ACU-X160-Y110T	Angle connection	6.1.8
382274	AX-AC-DCU-325-225	Direct connection	6.1.4
382275	AX-AC-DCU-455-455	Direct connection	6.1.4
382276	AX-AC-CCU-60-40	Cross connection	6.1.5
382277	AX-AC-CCU-100-80	Cross connection	6.1.5
382278	AX-AC-CCU-110-40	Cross connection	6.1.5
382279	AX-AC-CCU-240-80	Cross connection	6.1.5
382280	AX-AC-CCU-240-100	Cross connection	6.1.5
382281	AX-AC-CCU-225-225	Cross connection	6.1.5
382282	AX-AC-CCU-325-325	Cross connection	6.1.5
382283	AX-AC-DCU-60-120	Direct connection	6.1.4



ID number	Type code	Designation	Chapter
382284	AX-AC-CCU-455-325	Cross connection	6.1.5
382285	AX-AC-CCU-455-455	Cross connection	6.1.5
382286	AX-AC-DCU-40-60	Direct connection	6.1.4
382287	AX-AC-DCU-110-40	Direct connection	6.1.4
382288	AX-AC-DCU-160-60	Direct connection	6.1.4
382292	AX-AC-ACU-X240-Y160P	Angle connection	6.1.8
382293	AX-AC-ACU-110-110	Angle connection	6.1.8
382301	AX-AC-ACU-Y160-Z160	Angle connection	6.1.8
382303	AX-AC-ACU-Y240-Z240	Angle connection	6.1.8
382306	AX-AC-ACU-Y240-Z160T	Angle connection	6.1.8
396378	AX-AC-HNU-8M6	Hammer nut	6.1.3
401040	AXC-SP-40-A-WPS	Wear part set for configuration version A	4.10
410647	AX-AC-SBL-12ST-M6-S	Sliding block, design type S	6.1.2
458059	AX-AC-SCU-160-60	A Standard connection	6.1.7
459876	AX-AC-ACU-X110-Y110	Angle connection	6.1.8
461377	AXC-SP-100-A-WPS	Wear part set for configuration version A	4.10
461378	AXC-SP-100-B/M-WPS	Wear part set for configuration version B and M	4.10
461379	AXC-SP-100-D-WPS	Wear part set for configuration version D	4.10
461381	AXC-SP-100-Q/U-WPS	Wear part set for configuration version Q and U	4.10
461382	AXC-SP-120-K-WPS	Wear part set for configuration version K	4.10
461383	AXC-SP-120-Q/U-WPS	Wear part set for configuration version Q and U	4.10
461384	AXC-SP-120-R-WPS	Wear part set for configuration version R	4.10
461385	AXC-SP-40-Q/U-WPS	Wear part set for configuration version Q and U	4.10
461386	AXC-SP-40-R-WPS	Wear part set for configuration version R	4.10
461387	AXC-SP-60-D-WPS	Wear part set for configuration version D	4.10
461388	AXC-SP-60-Q/U-WPS	Wear part set for configuration version Q and U	4.10
461389	AXC-SP-60-R-WPS	Wear part set for configuration version R	4.10
461390	AXC-SP-80-K-WPS	Wear part set for configuration version K	4.10
461391	AXC-SP-80-Q/U-WPS	Wear part set for configuration version Q and U	4.10
461392	AXF-SP-100-A-WPS	Wear part set for configuration version A	4.10
461393	AXF-SP-100-B/M-WPS	Wear part set for configuration version B and M	4.10
461394	AXF-SP-100-Q-WPS	Wear part set for configuration version Q	4.10
461396	AXF-SP-100-R/S-WPS	Wear part set for configuration version R and S	4.10
461398	AXF-SP-100-U-WPS	Wear part set for configuration version U	4.10

# 11. Fits

## Shaft tolerance [ $\mu\text{m}$ ]

over	up to	d9	e8	f7	f6	f5	g6	g5	h5	h6	h7	h8	h9	h10
-	3	-20	-14	-6	-6	-6	-2	-2	0	0	0	0	0	0
		-45	-28	-16	-12	-10	-8	-6	-4	-6	-10	-14	-25	-40
3	6	-30	-20	-10	-10	-10	-4	-4	0	0	0	0	0	0
		-60	-38	-22	-18	-15	-12	-9	-5	-8	-12	-18	-30	-48
6	10	-40	-25	-13	-13	-13	-5	-5	0	0	0	0	0	0
		-76	-47	-28	-22	-19	-14	-11	-6	-9	-15	-22	-36	-58
10	18	-50	-32	-16	-16	-16	-6	-6	0	0	0	0	0	0
		-93	-59	-34	-27	-24	-17	-14	-8	-11	-18	-27	-43	-70
18	30	-65	-40	-20	-20	-20	-7	-7	0	0	0	0	0	0
		-117	-73	-41	-33	-29	-20	-16	-9	-13	-21	-33	-52	-84
30	50	-80	-50	-25	-25	-25	-9	-9	0	0	0	0	0	0
		-142	-89	-50	-41	-36	-25	-20	-11	-16	-25	-39	-62	-100
50	80	-100	-60	-30	-30	-30	-10	-10	0	0	0	0	0	0
		-174	-106	-60	-49	-43	-29	-23	-13	-19	-30	-46	-74	-120
80	120	-120	-72	-36	-36	-36	-12	-12	0	0	0	0	0	0
		-207	-126	-71	-58	-51	-34	-27	-15	-22	-35	-54	-87	-140
120	180	-145	-85	-43	-43	-43	-14	-14	0	0	0	0	0	0
		-245	-148	-83	-68	-61	-39	-32	-18	-25	-40	-63	-100	-160
180	250	-170	-100	-50	-50	-50	-15	-15	0	0	0	0	0	0
		-285	-172	-96	-79	-70	-44	-35	-20	-29	-46	-72	-115	-185
250	315	-190	-110	-56	-56	-56	-17	-17	0	0	0	0	0	0
		-320	-191	-108	-88	-79	-49	-40	-23	-32	-52	-81	-130	-210
315	400	-210	-125	-62	-62	-62	-18	-18	0	0	0	0	0	0
			-214	-119	-98	-87	-54	-43	-25	-36	-57	-89	-140	-230

## Bore tolerance [ $\mu\text{m}$ ]

over	up to	D10	E9	F6	F7	F8	G6	G7	H5	H6	H7	H8	H9	H10
-	3	+60	+39	+12	+16	+20	+8	+12	+4	+6	+10	+14	+25	+40
		+20	+14	+6	+6	+10	+2	+2	0	0	0	0	0	0
3	6	+78	+50	+18	+22	+28	+12	+16	+5	+8	+12	+18	+30	+48
		+30	+20	+10	+10	+10	+4	+4	0	0	0	0	0	0
6	10	+98	+61	+22	+28	+35	+14	+20	+6	+9	+15	+22	+36	+58
		+40	+25	+13	+13	+13	+5	+5	0	0	0	0	0	0
10	18	+120	+75	+27	+34	+43	+17	+24	+8	+11	+18	+27	+43	+70
		+50	+32	+16	+16	+16	+6	+6	0	0	0	0	0	0
18	30	+149	+92	+33	+41	+53	+20	+28	+9	+13	+21	+33	+52	+84
		+65	+40	+20	+20	+20	+7	+7	0	0	0	0	0	0
30	50	+180	+112	+41	+50	+64	+25	+34	+11	+16	+25	+39	+62	+100
		+80	+50	+25	+25	+25	+9	+9	0	0	0	0	0	0
50	80	+220	+134	+49	+60	+76	+29	+40	+13	+19	+30	+46	+74	+120
		+100	+60	+30	+30	+30	+10	+10	0	0	0	0	0	0
80	120	+260	+159	+58	+71	+90	+34	+47	+15	+22	+35	+54	+87	+140
		+120	+72	+36	+36	+36	+12	+12	0	0	0	0	0	0
120	180	+305	+185	+68	+83	+106	+39	+54	+18	+25	+40	+63	+100	+160
		+145	+85	+43	+43	+43	+14	+14	0	0	0	0	0	0
180	250	+335	+215	+79	+96	+122	+44	+61	+20	+29	+46	+72	+115	+185
		+170	+110	+50	+50	+50	+15	+15	0	0	0	0	0	0
250	315	+400	+240	+88	+108	+137	+49	+69	+23	+32	+52	+81	+130	+210
		+190	+110	+56	+56	+56	+17	+17	0	0	0	0	0	0
315	400	+440	+265	+98	+119	+151	+54	+75	+25	+36	+57	+89	+140	+230
		+210	+125	+62	+62	+62	+18	+18	0	0	0	0	0	0

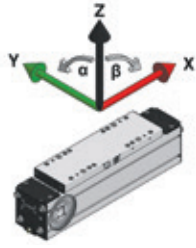
	h11	js5	js6	j5	j6	k5	k6	m5	m6	n5	n6	p6	p5	over	up to
	0	+2	+3	+2	+4	+4	+6	+6	+8	+8	+10	+12	+10	-	3
	-60	-2	-3	-2	-2	0	0	+2	+2	+4	+4	+6	+6		
	0	+ 2.5	+4	+3	+6	+6	+9	+9	+12	+13	+16	+20	+17	3	6
	-75	- 2.5	-4	-2	-2	+1	+1	+4	+4	+8	+8	+12	+12		
	0	+3	+ 4.5	+4	+7	+7	+10	+12	+15	+16	+19	+24	+21	6	10
	-90	-3	- 4.5	-2	-2	+1	+1	+6	+6	+10	+10	+15	+15		
	0	+4	+ 5.5	+5	+8	+9	+12	+15	+18	+20	+23	+29	+26	10	18
	-110	-4	- 5.5	-3	-3	+1	+1	+7	+7	+12	+12	+18	+18		
	0	+ 4.5	+ 6.5	+5	+9	+11	+15	+17	+21	+24	+28	+35	+31	18	30
	-130	- 4.5	- 6.5	-4	-4	+2	+2	+8	+8	+15	+15	+22	+22		
	0	+ 5.5	+8	+6	+11	+13	+18	+20	+25	+28	+33	+42	+37	30	50
	-160	- 5.5	-8	-5	-5	+2	+2	+9	+9	+17	+17	+26	+26		
	0	+ 6.5	+ 9.5	+6	+12	+15	+21	+24	+30	+33	+39	+51	+45	50	80
	-190	- 6.5	- 9.5	-7	-7	+2	+2	+11	+11	+20	+20	+32	+32		
	0	+ 7.5	+11	+6	+13	+18	+25	+28	+35	+38	+45	+59	+52	80	120
	-220	- 7.5	-11	-9	-9	+3	+3	+13	+13	+23	+23	+37	+37		
	0	+9	+ 12.5	+7	+14	+21	+28	+33	+40	+45	+52	+68	+61	120	180
	-250	-9	- 12.5	-11	-11	+3	+3	+15	+15	+27	+27	+43	+43		
	0	+10	+ 14.5	+7	+16	+24	+33	+37	+46	+51	+60	+79	+70	180	250
	-290	-10	- 14.5	-13	-13	+4	+4	+17	+17	+31	+31	+50	+50		
	0	+ 11.5	+16	+7	+16	+27	+36	+43	+52	+57	+66	+88	+79	250	315
	-320	- 11.5	-16	-16	-16	+4	+4	+20	+20	+34	+34	+56	+56		
	0	+ 12.5	+18	+7	+18	+29	+40	+46	+57	+62	+73	+98	+87	315	400
	-360	- 12.5	-18	-18	-18	+4	+4	+21	+21	+37	+37	+62	+62		

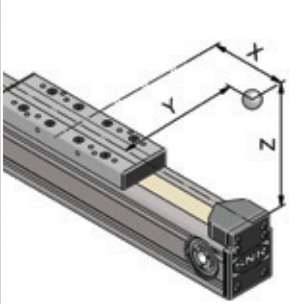
	JS7	JS6	J7	J6	K6	K7	M6	M7	N6	N7	N9	P7	P9	over	up to
	+5	+3	+4	+2	0	0	-2	-2	-4	-4	-4	-6	-6	-	3
	-5	-3	-6	-4	-6	-10	-8	-12	-10	-14	-29	-16	-31		
	+6	+4	+6	+5	+2	+3	-1	0	-5	-4	0	-8	-12	3	6
	-6	-4	-6	-3	-6	-9	-9	-12	-13	-16	-30	-20	-42		
	+ 7.5	+ 4.5	+8	+5	+2	+5	-3	0	-7	-4	0	-9	-15	6	10
	- 7.5	- 4.5	-7	-4	-7	-10	-12	-15	-16	-19	-36	-24	-51		
	+9	+ 5.5	+10	+6	+2	+6	-4	0	-9	-5	0	-11	-18	10	18
	-9	- 5.5	-8	-5	-9	-12	-15	-18	-20	-23	-43	-29	-61		
	+ 10.5	+ 6.5	+12	+8	+2	+6	-4	0	-11	-7	0	-14	-22	18	30
	- 10.5	- 6.5	-9	-5	-11	-15	-17	-21	-24	-28	-52	-35	-74		
	+ 12.5	+8	+14	+10	+3	+7	-4	0	-12	-8	0	-17	-26	30	50
	- 12.5	-8	-11	-6	-13	-18	-20	-25	-28	-33	-62	-42	-88		
	+15	+ 9.5	+18	+13	+4	+9	-5	0	-14	-9	0	-21	-32	50	80
	-15	- 9.5	-12	-6	-15	-21	-24	-30	-33	-39	-74	-51	-106		
	+ 17.5	+11	+22	+16	+4	+10	-6	0	-16	-10	0	-24	-37	80	120
	- 17.5	-11	-13	-6	-18	-25	-28	-35	-38	-45	-87	-59	-124		
	+20	+ 12.5	+26	+18	+4	+12	-8	0	-20	-12	0	-28	-43	120	180
	-20	- 12.5	-14	-7	-21	-28	-33	-40	-45	-52	-100	-68	-143		
	+23	+ 14.5	+30	+22	+5	+13	-8	0	-22	-14	0	-33	-50	180	250
	-23	- 14.5	-16	-7	-24	-33	-37	-46	-51	-60	-115	-79	-165		
	+26	+16	+36	+25	+5	+16	-9	0	-25	-14	0	-36	-56	250	315
	-26	-16	-16	-7	-27	-36	-41	-52	-57	-66	-130	-88	-186		
	+ 28.5	+18	+39	+29	+7	+17	-10	0	-26	-16	0	-41	-62	315	400
	- 28.5	-18	-18	-7	-29	-40	-46	-57	-62	-73	-140	-98	-202		

# 12. Guide to queries

Company \_\_\_\_\_ Date \_\_\_\_\_  
 Contact person \_\_\_\_\_ Offer valid until \_\_\_\_\_  
 Position/department \_\_\_\_\_  
 Address \_\_\_\_\_  
 Phone \_\_\_\_\_ Fax \_\_\_\_\_  
 E-mail \_\_\_\_\_  
 Project description \_\_\_\_\_  
 Unique needs \_\_\_\_\_ Number of items \_\_\_\_\_  
 Series product \_\_\_\_\_ Items / year \_\_\_\_\_  
 Requested delivery date for: \_\_\_\_\_ items \_\_\_\_\_ calendar week  
 New design \_\_\_\_\_ yes / no  
 Cost reduction \_\_\_\_\_ Budget \_\_\_\_\_ €  
 Alternative to competition \_\_\_\_\_ Competition product \_\_\_\_\_  
 Technical upgrade \_\_\_\_\_ Previous solution \_\_\_\_\_

## • Application parameters

	General application parameters	Single Axis	Multi-Axis system		
			X	Y	Z
	For parallel axis: axis distance [mm]				
	Mounting position: horizontal/vertical				
	Mounting angle $\alpha / \beta$ [°]				
	Travel distance / stroke [mm]				
	Velocity: [m/s]				
	Acceleration: [m/s <sup>2</sup> ]				
	Alternative - travel time [s]				
	Cycle time [s]				
	Repeatability [mm]				
	Required service life time [h]				
	Operating conditions (dust, splash water...)				

Loads						
	Masses [kg]	Position of the <b>force application point</b>				Comments
		longitudinal [mm]		lateral [mm]	vertical [mm]	
		$x_{max}$	$x_{min}$	y	z	
Position of the <b>center of mass</b>						
	Forces [N]	Position of the <b>center of mass</b>				Comments
		longitudinal [mm]		lateral [mm]	vertical [mm]	
Force direction X		$x_{max}$	$x_{min}$	y	z	
Force direction Y						
Force direction Z						

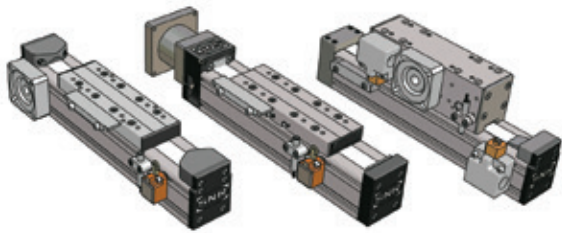
Please attach drawings / sketches / travel cycle for complex applications.

Comments / sketch:

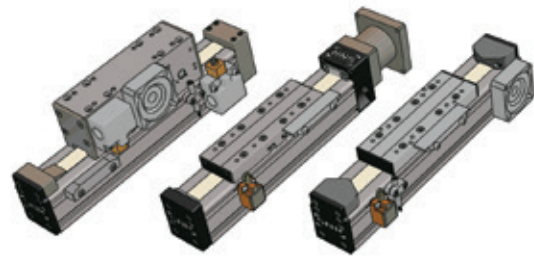
**Annex for axis:** please tick / record as appropriate

Drive type	Guiding system
<input type="checkbox"/> Ball screw	<input type="checkbox"/> Linear guides
<input type="checkbox"/> Trapezoidal screw	<input type="checkbox"/> Track roller guides
<input type="checkbox"/> Sliding screw	<input type="checkbox"/> Polymer track roller guides
<input type="checkbox"/> Toothed belt	<input type="checkbox"/> No guiding system
<input type="checkbox"/> Toothed belt / $\Omega$ - Drive	
<input type="checkbox"/> Rack and pinion	
<input type="checkbox"/> Telescopic axis	
<input type="checkbox"/> Linear motor	
<input type="checkbox"/> Without drive	

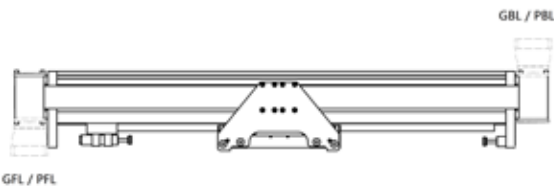
**Attachments left**



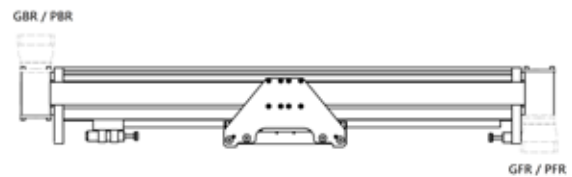
**Attachments right**



**AXS\_Y Attachments left**



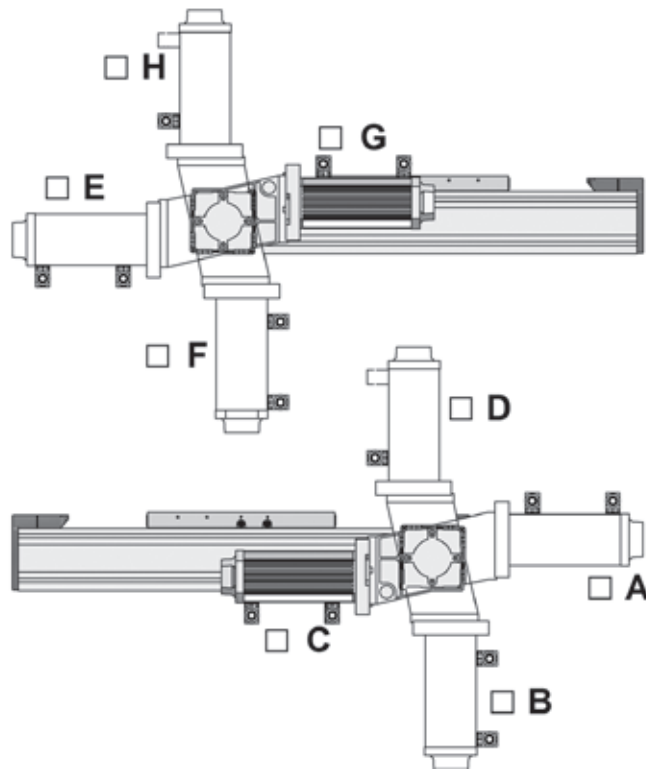
**AXS\_Y Attachments right**



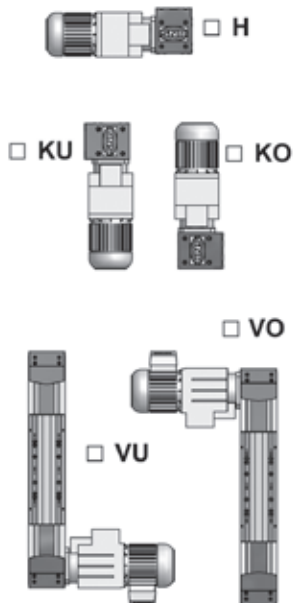
Drive version for toothed belt drive			Drive version for screw drive	
<input type="checkbox"/> Hollow shaft			<input type="checkbox"/> Coupling + Coupling cone	
<input type="checkbox"/> Free drive shaft	<input type="checkbox"/> right	<input type="checkbox"/> left	<input type="checkbox"/> Deflection belt drive	
<input type="checkbox"/> Integrated coupling	<input type="checkbox"/> right	<input type="checkbox"/> left	<input type="checkbox"/> Free drive shaft	
+ <input type="checkbox"/> integrated coupling for connecting shaft				
+ <input type="checkbox"/> integrated planetary gearbox	<input type="checkbox"/> right	<input type="checkbox"/> left	Drive version for Linear motor drive	
+ <input type="checkbox"/> integrated coupling for connecting shaft			<input type="checkbox"/> Air cooling	
<input type="checkbox"/> AXS_Y with integrated planetary gearbox			<input type="checkbox"/> Water cooling	
	<input type="checkbox"/> Front side	<input type="checkbox"/> right	<input type="checkbox"/> left	
	<input type="checkbox"/> Rear side	<input type="checkbox"/> right	<input type="checkbox"/> left	
<input type="checkbox"/> Coupling + Coupling cone	<input type="checkbox"/> right	<input type="checkbox"/> left		
+ <input type="checkbox"/> integrated coupling for connecting shaft				
<input type="checkbox"/> Adapter flange	<input type="checkbox"/> right	<input type="checkbox"/> left		

Switches				
<input type="checkbox"/> Mechanical switches	<input type="checkbox"/> right	<input type="checkbox"/> left	Quantity:	
<input type="checkbox"/> Inductive switches	<input type="checkbox"/> right	<input type="checkbox"/> left	Quantity:	
	<input type="checkbox"/> PNP - NC	<input type="checkbox"/> PNP - NO	<input type="checkbox"/> NPN - NC	
<input type="checkbox"/> Magnetic field switch (for AXF)				Quantity:
<input type="checkbox"/> Magnetic encoded position measuring system (for AXLM)				
	<input type="checkbox"/> without reference signal	<input type="checkbox"/> with one reference signal		
	<input type="checkbox"/> with distance coded reference signal	<input type="checkbox"/> with fix periodically reference signal		

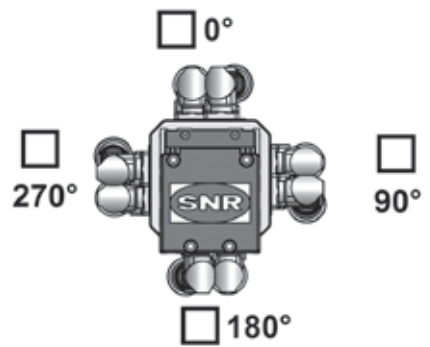
Mounting position angular gearbox



Mounting position Linear Axis



Position drive connections



Axis position: Table up  
Viewing direction: on the drive shaft

# 13. Index

## A

A - Standard connection	186, 187
Accessories	186 - 224
A - Standard connection	186, 187
Adapter	198, 199, 203, 205
Angle connection	188, 189
Balance cylinder	222
Connection shaft	26, 191, 192
Connection for sealing air or air suction	221
Coupling	26 - 29, 190, 191, 198 - 203
Coupling cone	10, 27, 29, 193, 195, 199 - 203
Cross connection	183, 184
Deflection belt drive	29 - 31, 202, 204, 205
Direct connection	181, 182
Energy chains	217
Fastening elements	176, 177
Fastening strips	24, 176, 177
Gantry connection	185, 186
Gantry support legs	218 - 220
Gearbox	27 - 29, 193 - 198
Grease nipple	8, 36, 38, 41, 224
Groove inserts	220
Hammer nut	25, 178
Hammer screw	25, 180
Line splitter	214
Planetary gearbox	27, 193 - 198
Push-in fittings	224
Sliding blocks	24, 178, 179
Switches	206 - 216
Tube connection	224
Adapter	198, 199, 203, 205
Angle connection	188, 189

## B

Backlash	15, 132
Backlash of ball screws	15
Balance cylinder	220
Ball bushing table	242
Base profile	7
Profile with steel shafts	7
Profile with guiding rails	7
Beam Axis for parallel use	
with rack and pinion drive	31, 163 - 166, 229 - 231
Brush wiper	8, 45, 46
Brush wiper replacement	45

## C

Compact Axis	48, 49, 56 - 87
Compact Axis	
with ball screw drive	48, 49, 63 - 74, 84 - 87
Compact Axis	
with sliding screw	49, 56 - 87
Compact Axis	
with toothed belt drive	48, 49, 56 - 62, 81 - 83
Compact Axis	
with toothed belt / $\Omega$ - drive	48, 75 - 80
Compact Axis	
with trapezoidal screw	8, 49, 63 - 74, 84 - 87
Configuration versions	236 - 238
Connection shaft	26, 191, 192
Connection for sealing air or air suction	221
Coordinate system	16
Cover strip	7, 8, 44 - 47, 236
Cover strip deflection	8, 46, 47
Cover strip replacement	44 - 47
Coupling	26 - 29, 190, 191, 198 - 203
Coupling cone	10, 27, 29, 193, 195, 199 - 203
Cross connection	183, 184

## D

Declaration of incorporation	15
Deflection belt drive	29 - 31, 202, 204, 205
Direct connection	181, 182
Drive calculation	21
Drive options	190 - 205
Adapters / Coupling cones	198 - 203
Couplings and connecting shafts	191, 192
Deflection belt drive	29 - 31, 202, 204, 205
Gearbox	27 - 29, 193 - 198
Plug-in shaft	190
Driving systems	9 - 11, 34
Linear motor drive	11
Rack and pinion drive	11
Screw drive	10
Toothed belt drive	9
Dynamic load capacity	17
Dynamic operating load	19

## E

Energy chains	217
Equivalent load	17

## F

Fastening elements	176, 177
Fastening strips	24, 1176, 177
Force - Velocity - Characteristic	173

## G

Gantry Axis	39, 52, 141 - 146, 156 - 162, 229 - 231
Gantry Axis with lateral toothed belt drive	156 - 159, 229 - 231
Gantry Axis with rack and pinion drive	39, 52, 141 - 146, 156 - 162, 229 - 231
Gantry Axis with toothed belt drive	39, 52, 141 - 146, 229 - 231
Gantry connection	185, 186
Gantry support legs	218 - 220
Gearbox selection	20
Maximum acceleration torque	20
Maximum operation speed	20
Nominal torque on the drive	20
Gearbox	27 - 29, 193 - 198
Integrated planetary gearbox	193 - 197
Mounted gearboxes	193 - 198
Grease nipple	8, 36, 38, 41, 224
Groove inserts	220
Aluminum groove insert	220
Plastic groove insert	220
Guide to queries	250 - 252
Guiding systems	12, 13
Linear guide	12
Track roller guide	13

## H

Hammer nut	25, 180
Hammer screw	25, 180

## I

Influence factors	17, 42
Intended use	16

## L

Life time	17
Nominal life time	17
Lifting Axis	39, 52, 136 - 140, 229 - 231
Line splitter	214
Linear guide	7, 12, 17, 32 - 41, 46 - 50
Linear motor	7, 9, 11, 39, 74, 167 - 174
Linear motor with air cooling	74, 167 - 174
Linearmotor with water cooling	74, 167 - 174
Linear motor drive	9, 11
Linear table	16, 29, 30, 50, 105 - 114, 182, 184
Linear table with ball screw drive	50, 105 - 114
Linear table with trapezoidal screw drive	50, 105 - 114
Load capacity	17
Dynamic load capacity	17
Static load capacity	17

Lubrication	34 - 44
Lubricants	34 - 44
Lubrication amount	40 - 42
Lubrication intervals	43, 44
Lubrication methods	36, 37
Lubrication points	38, 39

## M

Main parameters	53 - 55
Maintenance and lubrication	34 - 47
Brush wiper replacement	45
Cover strip replacement	45 - 47
Lubricants	34 - 36
Lubrication amount	40 - 42
Lubrication intervals	43, 44
Lubrication methods	36, 37
Lubrication points	38, 39
Wear part set	47
Measuring device for the toothed belt tension	9, 32
Mounting	22 - 25
Design of the mounting surfaces	22, 23
Monting instruction	24, 25
Mounting tolerances	22, 23
Multi Axis systems	225 - 231
Standard combinations	229 - 231

## N

Nominal life time	17
-------------------	----

## O

Operating temperature	16
Options	190 - 205, 207 - 211, 236 - 239
Configuration versions	236 - 238
Safety options	239

## P

Parallele Axis	49, 88 - 104
Parallele Axis with ball screw drive	49, 93 - 100
Parallele Axis with toothed belt drive	49, 88 - 92
Parallele Axis with toothed belt / $\Omega$ - drive	49, 101 - 104
Parallele Axis with trapezoidal screw	49, 93 - 100
Planetary gearbox	27, 193 - 198
Plug-in shaft	190
Position accuracy	10, 11, 15, 132
Positioning repeatability	10, 11, 15, 50, 51, 57 - 165
Precision	19
Precision Axis	50, 115 - 132
Precision Axis with ball screw drive	50, 115 - 132
Precision classes	50, 132
Push-in fittings	224



## R

Rack and pinion drive	7, 9, 11, 17, 36, 37, 39, 42, 44, 52, 54, 136 - 146, 163 - 166, 198
Rigidity	10, 11, 18
Running parallelism	15, 19, 132

## S

Safety breaks	223, 239
Safety instructions	16
Selection criteria	14
Side seals	8, 43, 236
Slider unit	7, 8, 11, 13, 15, 38, 39
Slider unit with brush wipers	8
Slider unit with thread holes	8
Slider unit with profile grooves	8
Slider unit with side seals	8
Slider unit with lateral placed grease nipples	8
Slider unit with grease nipples on the front side	8
Sliding blocks	24, 178, 179
Special solutions	240 - 242
Standards	15
Starting torque	15, 132
Starting torque of ball screws	15
Static load capacity	17
Structure	7
Support unit	10
Switches	206 - 216
Cable guiding	207
Line splitter	214
Mounting options	207 - 213
Possible switch combinations	215, 216
Switch versions	206
Technical data	214
System Program Axis	51, 52, 133 - 166, 229 - 231
Beam Axis for parallel use with rack and pinion drive	32, 163 - 166, 229 - 231
System Program Axis with lateral toothed belt drive	156 - 159, 229 - 231
System Program Axis with rack and pinion drive	136 - 146, 163 - 166, 229 - 231
System Program Axis with toothed belt drive	156 - 162, 229 - 231
System Program Axis with toothed belt / $\Omega$ - drive	133 - 135

## T

Telescopic Axis	39, 40, 52, 133 - 135, 147 - 155, 229 - 231
Telescopic Axis with rack and pinion drive / toothed belt drive, horizontal	147 - 155, 229 - 231
Telescopic Axis with rack and pinion drive / toothed belt drive, vertical	147 - 155, 229 - 231
Telescopic Axis with toothed belt / $\Omega$ - drive	131 - 133
Toothed belt clamping	9
Toothed belt drive	9, 19, 21, 26, 27, 38, 45, 48, 49, 52, 53, 56 - 62, 81 - 83, 88 - 92, 121 - 162
Toothed belt / $\Omega$ - drive	75 - 80, 101 - 104, 131 - 135
Toothed belt tension	9, 30, 31
Track roller guide	7, 8, 12, 13, 17, 36, 38, 40, 41, 44
Polymer track roller guide	13, 41
Transportation	22
Tube connection	224
Type code	192, 203, 220, 232 - 235
Type code axis systems	235
Type code connecting shaft	192
Type code coupling AXBG_S_G	203
Type code gantry support legs	220
Type code single axis	232 - 234

## W

Wall mounting	21
Wear part sets	45



More information concerning our NTN-SNR products for linear motion is provided in our catalogues.



NTN-SNR Linear Motion  
Linear Guides



NTN-SNR Linear Motion  
Ball bushings



NTN-SNR Linear Motion  
Ball splines

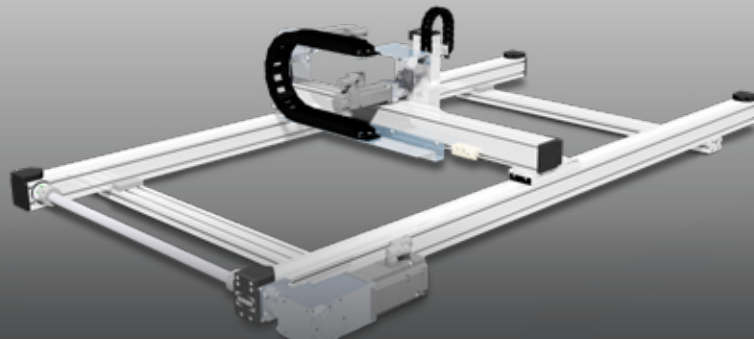


NTN-SNR Linear Motion  
Ball screws



NTN-SNR Linear Motion  
Linear Axis AXE





# SNR LINEAR MOTION

## LINEAR AXIS

SNR WÄLZLAGER GMBH  
Friedrich-Hagemann-Straße 66  
D-33719 Bielefeld  
Telephone : +49 (0) 521 / 9 24 00 – 112  
Telefax: +49 (0) 521 / 9 24 00 – 97  
Email: [linear.motion@ntn-snr.com](mailto:linear.motion@ntn-snr.com)



[www.ntn-snr.com/ntn-snr-linear-axis](http://www.ntn-snr.com/ntn-snr-linear-axis)

This document is the exclusive property of NTN-SNR ROULEMENTS. Any total or partial reproduction hereof without the prior consent of NTN-SNR ROULEMENTS is strictly prohibited. Legal action may be brought against anyone breaching the terms of this paragraph.

NTN-SNR ROULEMENTS shall not be held liable for any errors or omissions that may have crept into this document despite the care taken in drafting it. Due to our policy of continuous research and development, we reserve the right to make changes without notice to all or part of the products and specifications mentioned in this document.

© NTN-SNR ROULEMENTS, international copyright 2021.